

























## Attaching the UFP-280 Adapter Plate

### 200mm x 100mm Pattern



If your flat panel has a 200mm x 100mm or 200mm x 200mm mounting pattern, the VESA Adapter Plate must be used. Please refer to the VESA Adapter Plate Pattern to determine the appropriate mount placement.



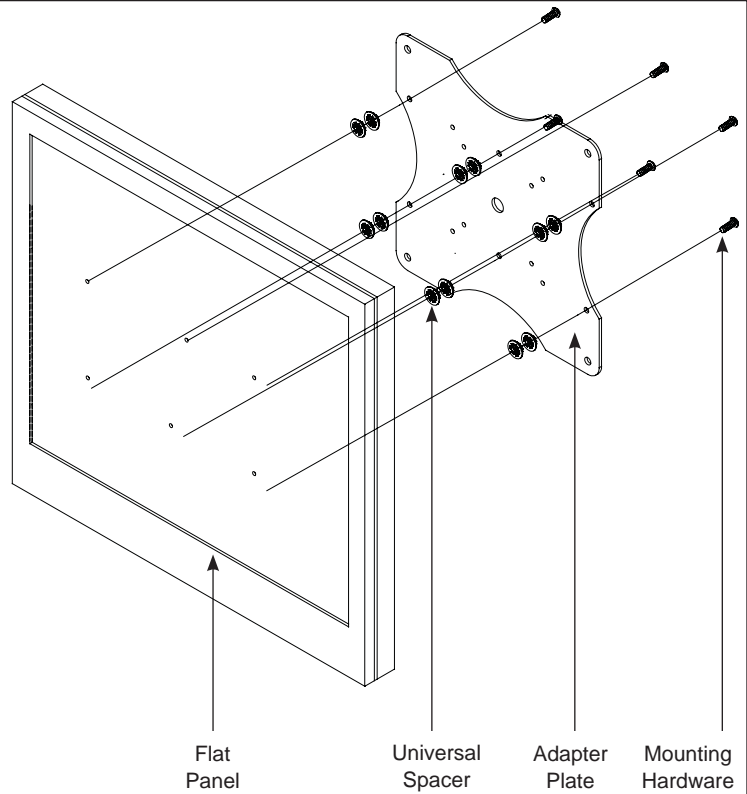
If you have a recessed mounting pattern, use the universal spacers to compensate for the indentation.

Attach the VESA Adapter Plate to the back of the flat panel using the appropriate mounting hardware.



### 200mm x 100mm Mounting Pattern Installation

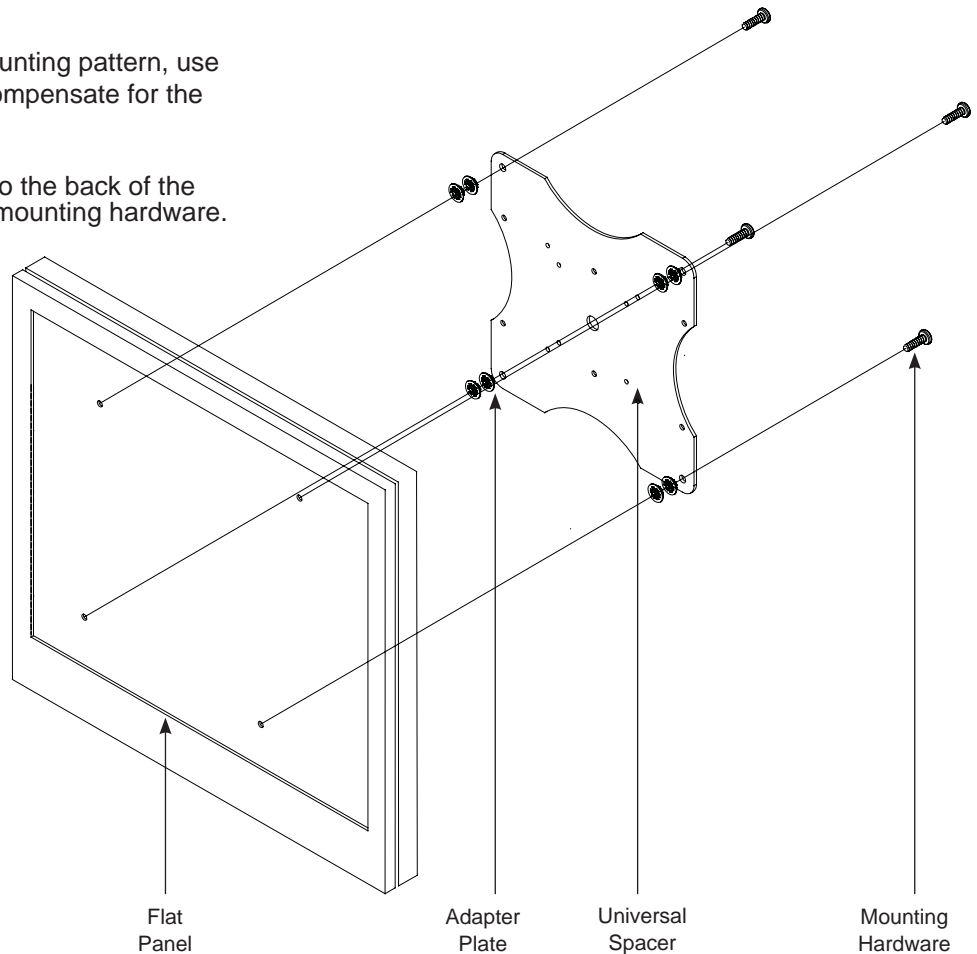
If using a 200mm x 100mm mounting pattern to attach the PRF to your flat panel, please use six (6) **M4 Flat head** screws. Using rounded combo screws for the 200mm x 100mm VESA plate may damage your flat panel.



### 200mm x 200mm Pattern

If you have a recessed mounting pattern, use the universal spacers to compensate for the indentation.

Attach the VESA Adapter Plate to the back of the flat panel using the appropriate mounting hardware.





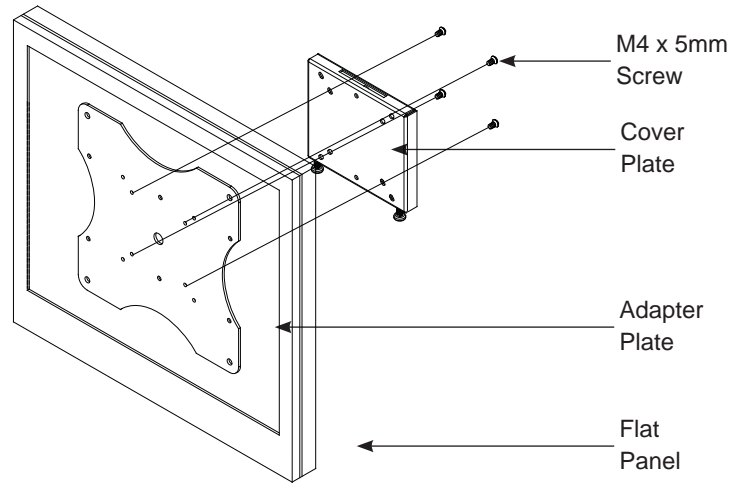
### Attaching the PRF to the Adapter Plate

Locate the mounting points on the adapter plate.

Align the mounting points of the cover plate with those on the back of the flat panel.

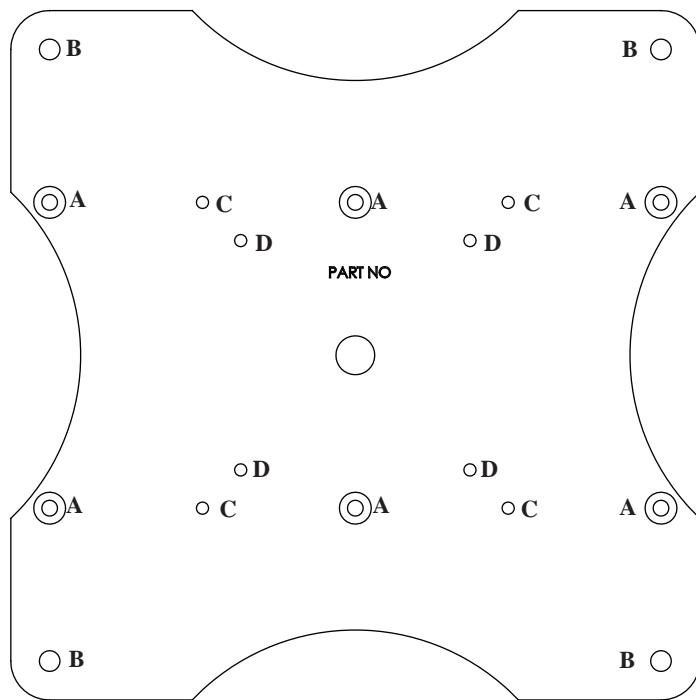
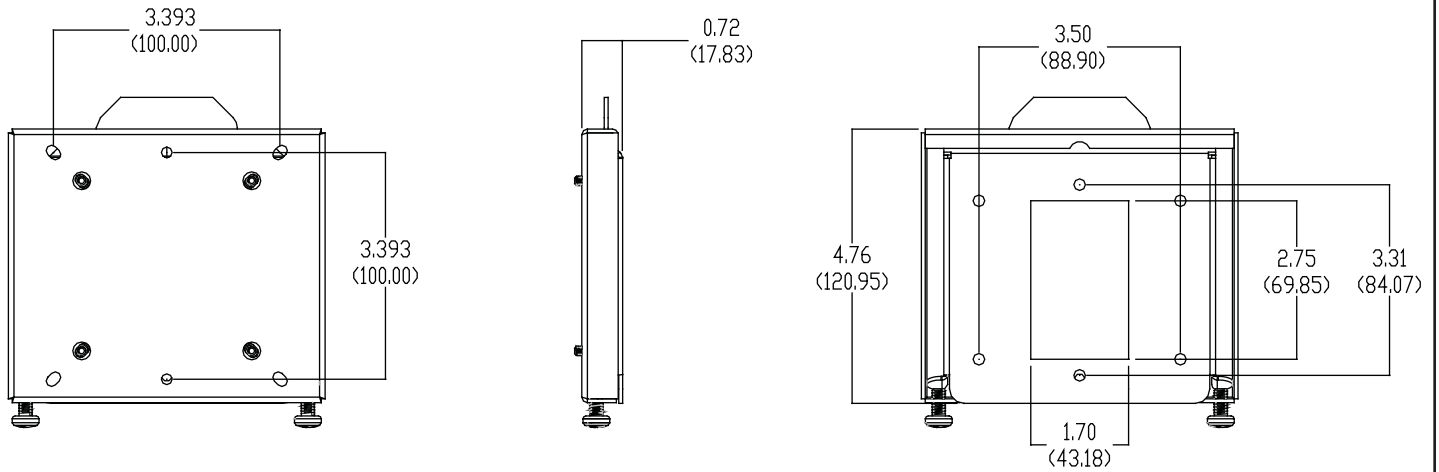
Insert four (4) M4 x 5mm screws and tighten using a screwdriver.

Do not over-tighten these screws.



### Technical Specifications

All measurements are in inches(mm).



Please refer to the hardware pack that is included with the PRF to determine the correct mounting hardware for your application.

- NOTE:**
- A.** 200 x 100 VESA Pattern  
M4 Phillips Flat Head screws only.
  - B.** 200 x 200 VESA Pattern  
If an M4 or M5 is to be used, a M4 or M5 washer must be used.
  - C.** 100 x 100 VESA Pattern
  - D.** 75 x 75 VESA Pattern



## Warranty

### PREMIER MOUNTS LIMITED LIFETIME WARRANTY

#### **What and Who is Covered by this Limited Warranty and for How Long**

Premier Mounts warrants this product to be free from defects in material and workmanship for the lifetime of the original owner of this product. The limited warranty is valid only for the original purchaser of the product.

#### **What Premier Mounts Will Do**

At the sole option of Premier Mounts, Premier Mounts will repair or replace any product or product part that is defective. If Premier Mounts chooses to replace a defective product or part, a replacement product or part will be shipped to you at no charge, but you must pay any labor costs.

#### **What is Not Covered; Limitations**

PREMIER MOUNTS DISCLAIMS ANY LIABILITY FOR DAMAGE TO MOUNTS, ADAPTERS, DISPLAYS, PROJECTORS, OTHER PROPERTY, OR PERSONAL INJURY RESULTING, IN WHOLE OR IN PART, FROM IMPROPER INSTALLATION, MODIFICATION, USE OR MISUSE OF ITS PRODUCTS.

PREMIER MOUNTS DISCLAIMS ALL OTHER WARRANTIES, EXPRESS OR IMPLIED, INCLUDING WARRANTIES OF MERCHANTABILITY AND FITNESS FOR A PARTICULAR PURPOSE. PREMIER MOUNTS IS NOT RESPONSIBLE FOR INCIDENTAL OR CONSEQUENTIAL DAMAGES, INCLUDING BUT NOT LIMITED TO, INABILITY TO USE ITS PRODUCTS OR LABOR COSTS FOR REMOVING AND REPLACING DEFECTIVE PRODUCTS OR PARTS. SOME STATES DO NOT ALLOW THE EXCLUSION OR LIMITATION OF INCIDENTAL OR CONSEQUENTIAL DAMAGES, SO THE ABOVE LIMITATION OR EXCLUSION MAY NOT APPLY TO YOU.

#### **What Customers Must Do for Limited Warranty Service**

If you discover a problem that you think may be covered by the warranty you **MUST REPORT** it in writing to the address below within thirty (30) days. Proof of purchase (an original sales receipt) from the original consumer purchaser must accompany all warranty claims. Warranty claims must also include a description of the problem, the purchaser's name, address, and telephone number. General inquiries can be addressed to Premier Mounts Customer Service at 1-800-368-9700. Warranty claims will not be accepted over the phone or by fax.

Premier Mounts  
Attn: Warranty Claim  
3130 East Miraloma Ave.  
Anaheim, CA 92806

#### **How State Law Applies**

THIS WARRANTY GIVES YOU SPECIFIC LEGAL RIGHTS, AND YOU MAY ALSO HAVE OTHER RIGHTS WHICH VARY FROM STATE TO STATE.