

# PREMIER MOUNTS™

The original holding company  
PP-5 INSTALLATION INSTRUCTIONS



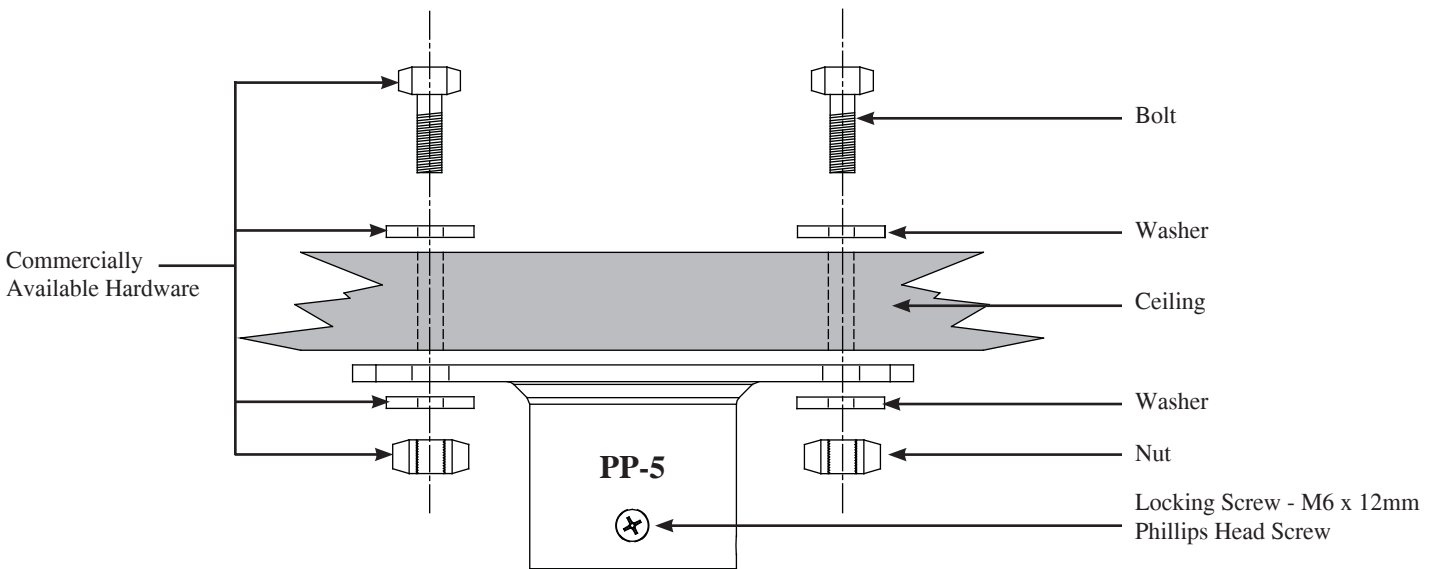
**WARNING**

The ceiling should be capable of supporting at least five (5) times the weight of the product that will be used with this accessory. If the surface cannot support this weight, it must be reinforced. Proper installation procedure by qualified personnel as outlined in the installation instructions must be adhered to. Failure to do so could result in serious personal injury.

- Step 1.** Install the PP-5 securely to the ceiling structure in accordance with proper commercial standards. Use (commercially available) hardware depending on the installation requirements (Figure 1; see WARNING:).
- Step 2.** Install the desired length of 1-1/2" diameter NPT pipe with the threaded ends attaching to the PP-5.
- Step 3.** Tighten the M6 Phillips head screw to the PP-5 to secure the pipe from rotating.



**NOTE** For adjustable suspension applications, the PP-5 can be mated directly to our APP-2446 suspension adapter.



**Figure 1**

