

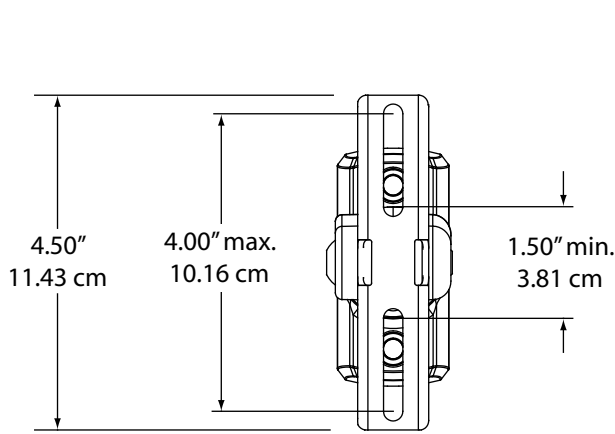
the ēvō system™

E1BM BOOKSHELF SPEAKER MOUNT SPECIFICATION SHEET

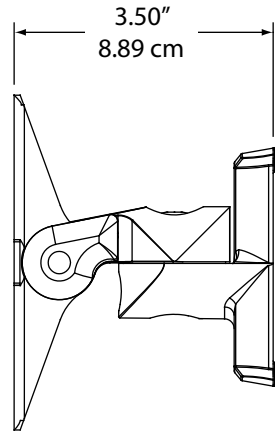


Possibilities are mounting.™

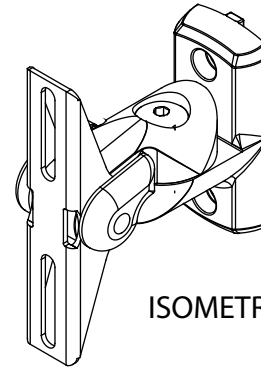
MAX TOTAL WEIGHT 25 LBS / 11.33 KG



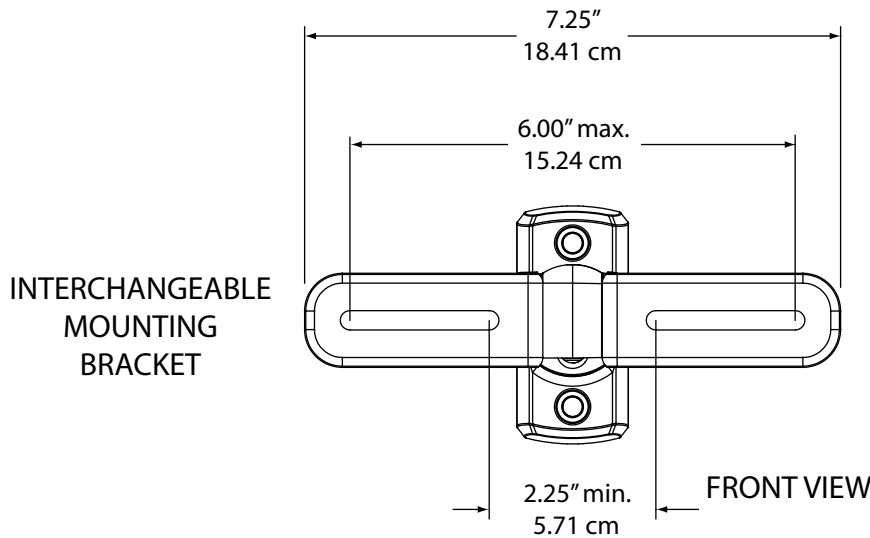
FRONT VIEW



SIDE VIEW

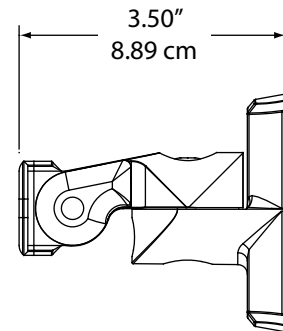


ISOMETRIC VIEW

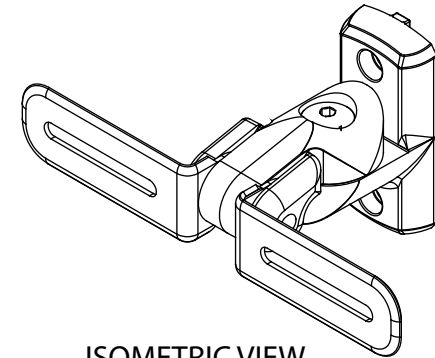


INTERCHANGEABLE MOUNTING BRACKET

FRONT VIEW



SIDE VIEW



ISOMETRIC VIEW

Vantage Point Products Corp. 10233 Palm Drive Santa Fe Springs, CA 90670

USA: 800.582.9595 Canada: 905.607.9994 Europe: 31.72.581.6056

Email: cons-serv@vanptc.com Website: www.vanptc.com