

Wireline™ Advantage®

Automatic Electric Projection Screen Model



SPECIFICATION DATA

SUGGESTED SPECIFICATIONS: _____ projection screen(s), _____(H) x _____(W), electrically operated 120 volt (60Hz), not more than 3.0 amp motor. Shall have specially designed motor mounted inside the roller, to be two wire with ground, quick reversal type, oiled for life, with automatic thermal overload cutout, integral gears, capacitor and an electric brake to prevent coasting. To have preset but adjustable limits to automatically stop surface in the "up" and "down" positions. Junction box shall be internally integrated into the housing making it possible to install the housing and wire to the building's electrical system during construction. Rigid metal roller, to be at least 7" in diameter. Roller designed to be two piece disconnect system that drops material from top of case on 1/8" 7/19 galvanized aircraft cable (29' maximum). The motorized fabric and roller assembly to be installed in the case at the factory. Roller mounting brackets to be adjustable to allow centering or offsetting of the screen within the case. Screen to be

designed for left or right-hand motor installation. Screen fabric to be flame retardant and mildew resistant vinyl with black masking borders standard. Each side of the fabric to have tab guide cable system to maintain even lateral tension and hold surface flat. Custom slat bar with added weight maintains vertical tension on the screen surface. Case to be made of extruded aluminum powder coated white. End caps to be of heavy gauge steel, powder coated white. Bottom of case to have a removable access door. Door to be of extruded aluminum powder coated white. Bottom of case to be self-trimming, with a built-in flange around the bottom of the case. Unit to be furnished with RF remote controlled motor. Suitable for use in environmental air space in accordance with section 300-22 (c) of the National Electric Code, and sections 2-128, 12-010 (3) and 12-100 of the Canadian Electrical Code, part 1, CSA C22.1. Screen to be listed by Underwriters' Laboratories.



HDTV (16:9) Format Dimensions

Viewing Area (H x W)		Nominal Diagonal		Overall Length of Case*		Approximate Net Weight		Approximate Shipping Weight	
In.	Cm	In.	Cm	In.	Cm	Lbs.	Kg	Lbs.	Kg
65" x 116"	165 x 295	133"	338	148"	376	342	155.1	532	241.3
78" x 139"	198 x 353	159"	404	172"	437	395	179.1	611	277.1
92" x 164"	234 x 417	188"	478	195½"	497	448	203.3	693	314.3
108" x 192"	274 x 488	220"	561	225¾"	573	518	234.9	792	359.2

Wide (16:10) Format Dimensions

Viewing Area (H x W)		Nominal Diagonal		Overall Length of Case*		Approximate Net Weight		Approximate Shipping Weight	
In.	Cm	In.	Cm	In.	Cm	Lbs.	Kg	Lbs.	Kg
72½" x 116"	184 x 295	137"	348	148"	376	343	155.7	532	241.3
87" x 139"	221 x 353	164"	417	172"	437	395	179.3	611	277.1
100" x 160"	254 x 406	189"	480	195½"	497	447	202.9	693	314.3
110" x 176"	279 x 447	208"	521	208½"	530	480	217.5	736	333.8
120" x 192"	305 x 488	226"	565	225¾"	573	520	235.7	792	359.2

*Case length does not include trim flange

PRODUCT NOTES

- All surfaces will be seamless.
- All screens standard with 4" black drop at the top and 29' of cable drop.
- Overall case length dimensions +/- ¼".
- Detail dimensional drawings, wiring diagrams and installation instructions available upon request.
- Specifications subject to change without notice.
- Custom formats and sizes available upon request.
- Screen to be furnished with Radio Frequency Wireless Remote and Dry Contact Input Transmitter.

WHEN ORDERING, MARK APPROPRIATE SELECTIONS

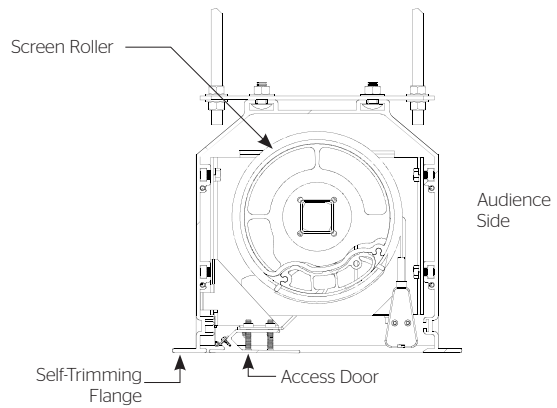
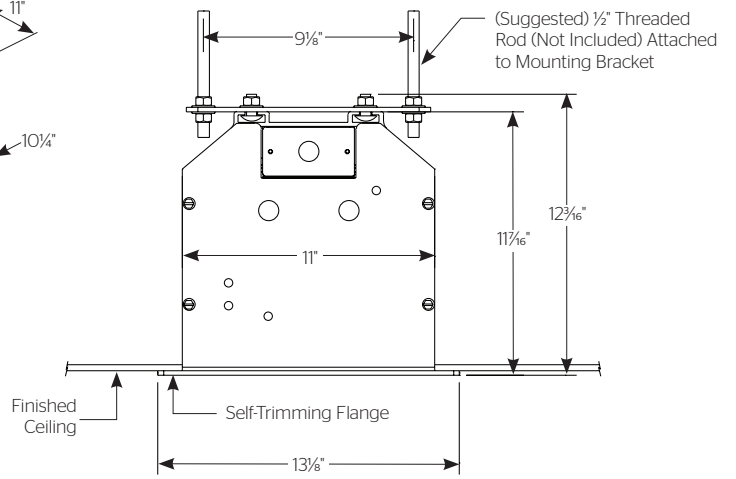
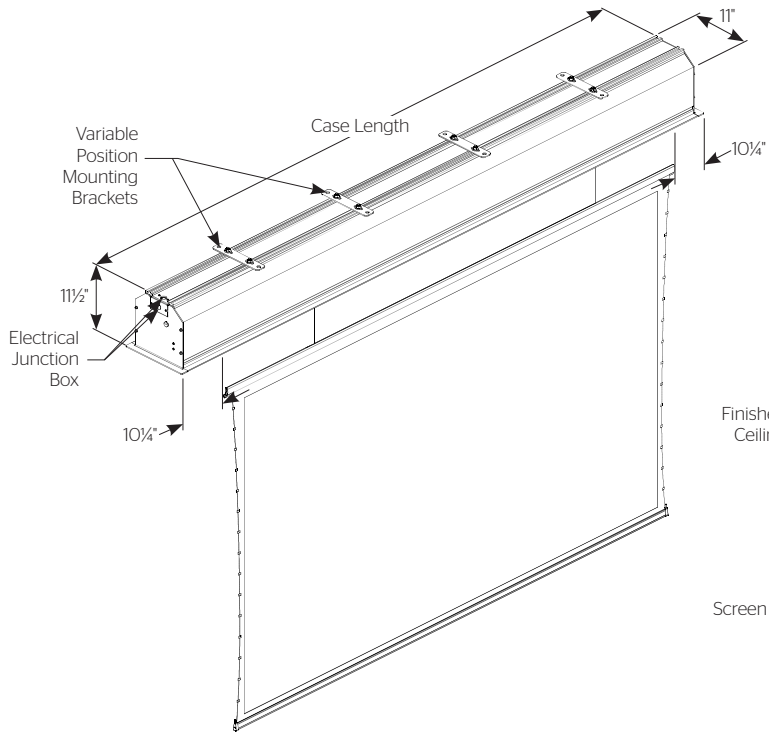
- Select size from charts on the other side.
- Select viewing surface (All Da-Lite surfaces are GREENGUARD GOLD Certified.):

<input type="checkbox"/> Parallax Stratos 1.0	<input type="checkbox"/> HD Progressive 1.1 Contrast
<input type="checkbox"/> HD Progressive 0.6	<input type="checkbox"/> HD Progressive 1.3
<input type="checkbox"/> HD Progressive 0.9	<input type="checkbox"/> HD Progressive ReView 0.9
<input type="checkbox"/> HD Progressive 1.1	
- Options:

<input type="checkbox"/> Flangeless Case	<input type="checkbox"/> 220 Volt (50 Hz) Motor
--	---
- Optional accessories:

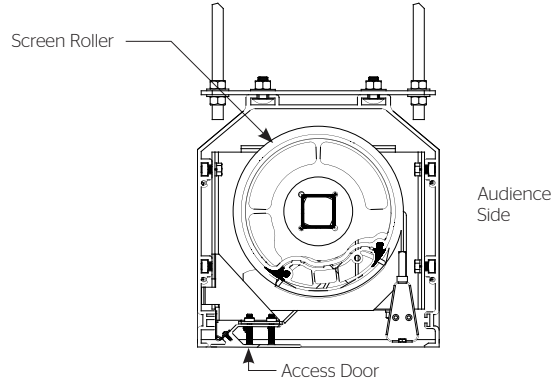
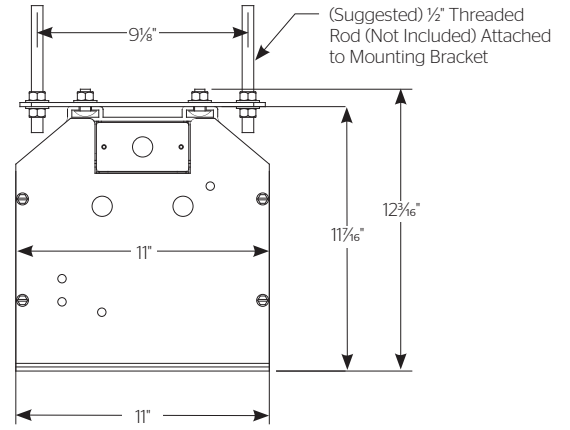
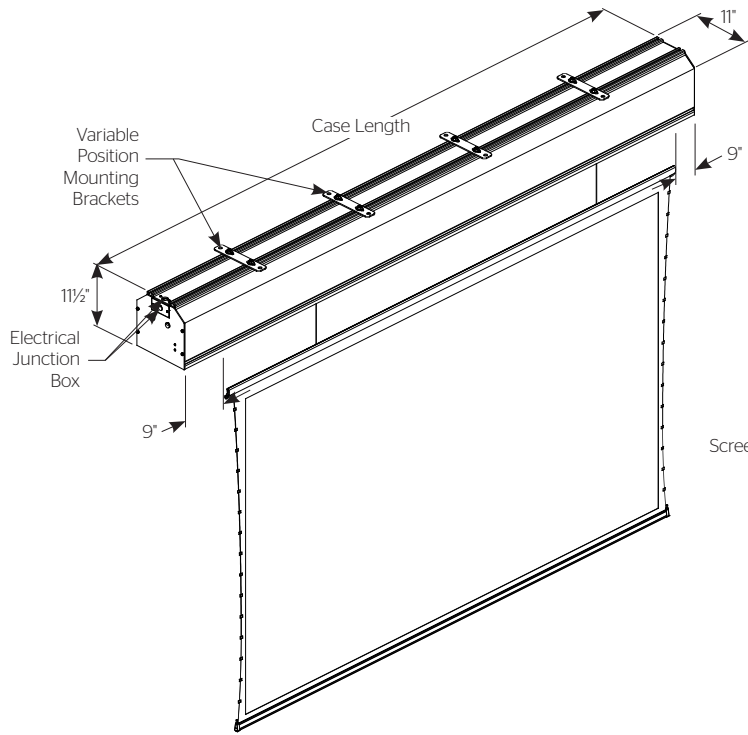
<input type="checkbox"/> Radio Frequency RS-232 Device (120V motor only)	<input type="checkbox"/> Wall Mount Bracket Kit (Only for Flangeless Case Option)
<input type="checkbox"/> Radio Frequency Single Channel Wall Switch	

PRODUCT VIEWS - WITH TRIM FLANGE (STANDARD)

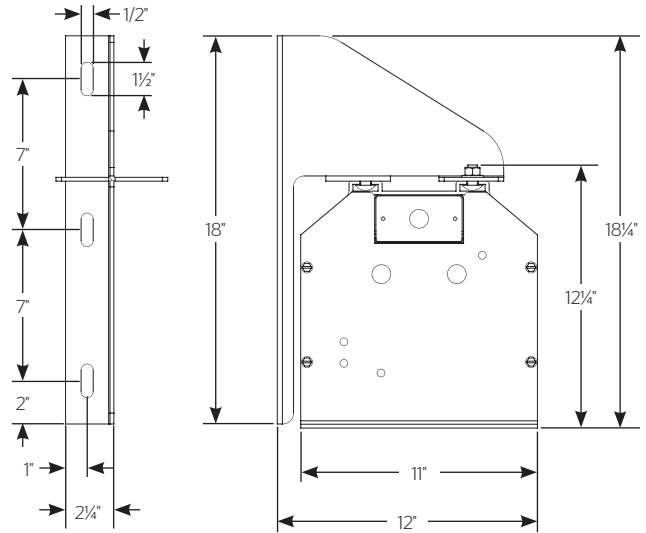
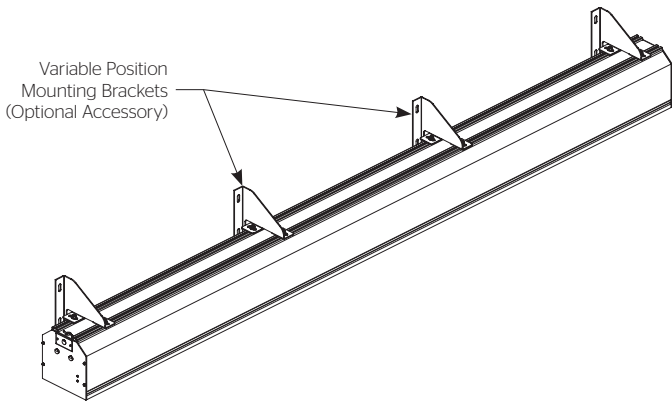


PRODUCT VIEWS - WITHOUT TRIM FLANGE (OPTIONAL)

Ceiling Mount



Wall Mount



Project Name:	_____
Architect:	_____ Phone: _____
Contractor:	_____ Phone: _____
Supervisor:	_____ Phone: _____
Supplier:	_____ Date: _____
Revised:	_____



FOR YOUR IMAGE | legrandav.com

USA P 866.977.3901 E av.da-lite.support@legrand.com
CANADA P 877.345.4329 E av.da-lite.support@legrand.com
EMEA P +31 495 580 840 E av.emea.sales@legrand.com
APAC P +852 2145 4099 E av.asia.sales@legrand.com

© 2021 Legrand AV Inc. 210025 1/21. Da-Lite is a registered trademark of Legrand AV Inc. All other brand names or marks are used for identification purposes and are trademarks of their respective owners. All patents are protected under existing designations. Other patents pending.



COMMERCIAL BRANDS

Chief | Da-Lite | Middle Atlantic | Projecta | Vaddio