

INSTRUCTION BOOK FOR
UTB Contour

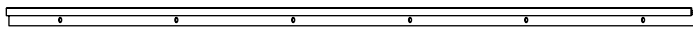


Disclaimer

Milestone and its affiliated corporations and subsidiaries (collectively "Milestone"), intend to make this manual accurate and complete. However, Milestone makes no claim that the information contained herein covers all details, conditions or variations, nor does it provide for every possible contingency in connection with the installation or use of this subject to change without notice or obligation of any kind. Milestone makes no representation of warranty, expressed or implied, regarding the information contained herein. Milestone assumes no responsibility for accuracy, completeness or sufficiency of the information contained in this document.

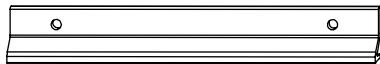
Da-Lite® is a registered trademark of Milestone AV Technologies. All rights reserved.

Included Hardware



Large Wall Bracket (47")

- (1) Screens under 104" in viewing width
- (2) Screens 104" and over in viewing width



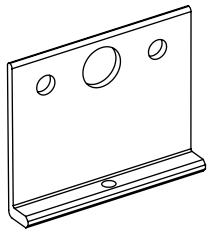
Small Bottom Wall bracket (8")

- (1) Screens under 104" in viewing width



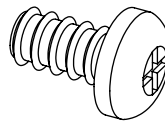
Large Bottom Wall bracket (44")

- (1) Screens 104" and over in viewing width

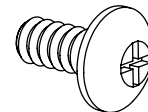


Frame Brackets

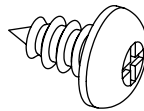
- (1) Screens under 104" in viewing width
- (2) Screens 104" and over in viewing width



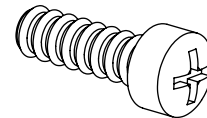
#10 X 3/8" Silver Screws (12)



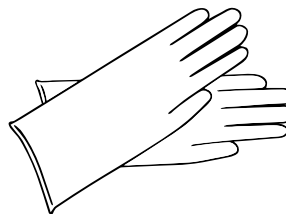
8-32 X 3/8" Machine Screws (4)



#10 X 3/8" Pointed
Black Screws (Varies)



8-32 X 1/2" Fillister Screw
(1) Screens under 104" in
viewing width
(2) Screens 104" and over in
viewing width



Gloves (2 pair)

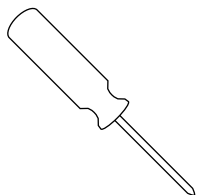
Save These Instructions

Important Safety Instructions

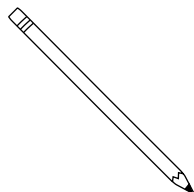
When using your video equipment, basic safety precautions should always be followed, including the following:

1. Read and understand all instructions before using.
2. Failure to provide adequate structural strength for this component can result in serious personal injury or damage to equipment! It is the installer's responsibility to make sure the structure to which this component is attached can support the weight of all equipment. Reinforce the structure as required before installing the component.
3. Use this projection screen only for its intended use as described in these instructions. Do not use attachments not recommended by the manufacturer.

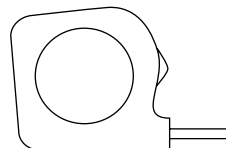
Tools Required for Installation



Phillips Screwdriver



Pencil



Tape Measure

Inner Frame & Viewing Surface Assembly

1. Create a clean work area for assembly using a soft clean material. This will protect the inner frame and ensure a clean projection surface.
2. Unwrap frame pieces. Assemble inner frame pieces on the work area.
3. Slide inner frame pieces together at corners. Secure inner frame pieces with (12) #10 x $\frac{3}{8}$ " silver screws (Figure 1).
4. Set the assembled inner frame aside. Unroll screen surface and place it viewing side down on the clean work area.
5. Place inner frame on screen surface, screw side up.

6. Wrap the corners of the surface around the inner frame and hook the grommets over the corner pins (Figure 2).

Note: Make sure the screen surface is even and covering all four corners of the inner frame before proceeding or you may see a visible gap in the corner after the outer bezel is attached.

7. Hook the rest of the grommets over the flat head screws on all sides (Figure 2). Please be sure the grommets clear the head of each screw.

Note: Your screen was assembled and aligned prior to shipment. If any realignment is necessary, the positioning of the flat head screws can be adjusted. Using a Phillips screwdriver, rotate the flat head screw one turn counterclockwise. Reposition screw as needed. Secure the screw in place by slowly rotating it clockwise.

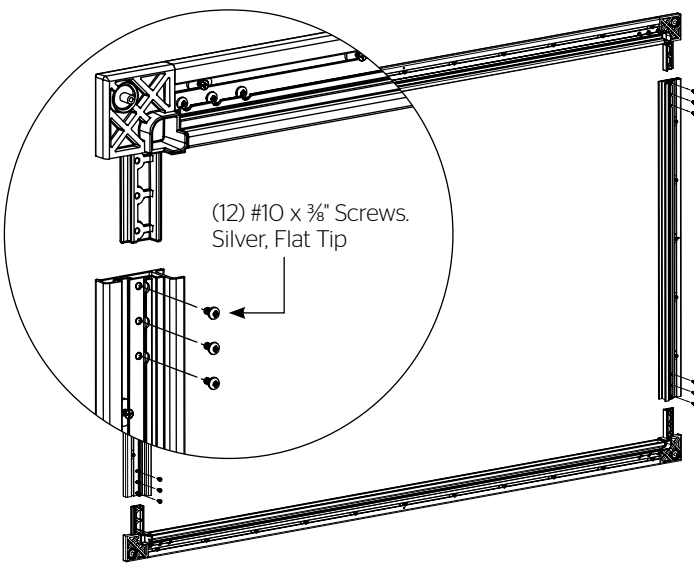


Figure 1

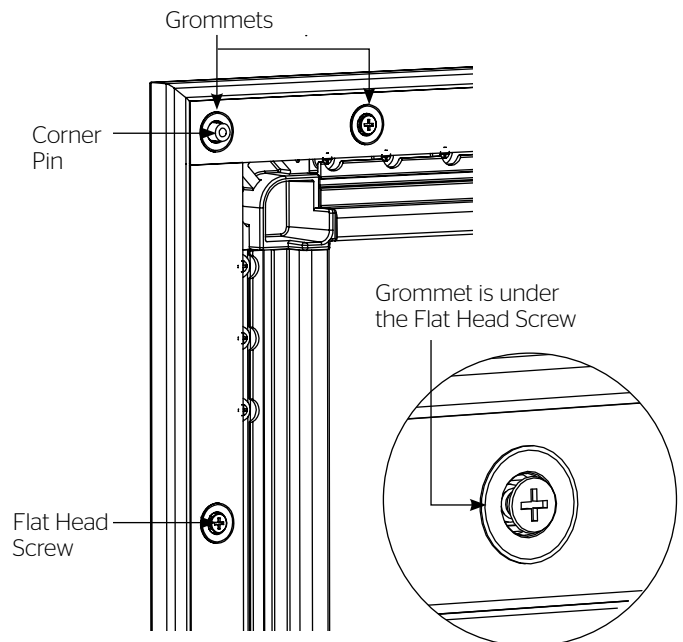


Figure 2

Outer Bezel Assembly

Note: Use provided white gloves to prevent leaving fingerprints on the outer bezel.

1. Position outer bezel pieces on all sides (Figure 3a). Gently lift and slide each outer bezel piece around the inner frame and viewing surface assembly (Figure 3b).
2. Align corners and insert one 8-32 x 3/8" screw in each corner to attach the outer bezel onto the inner frame assembly (Figure 4).

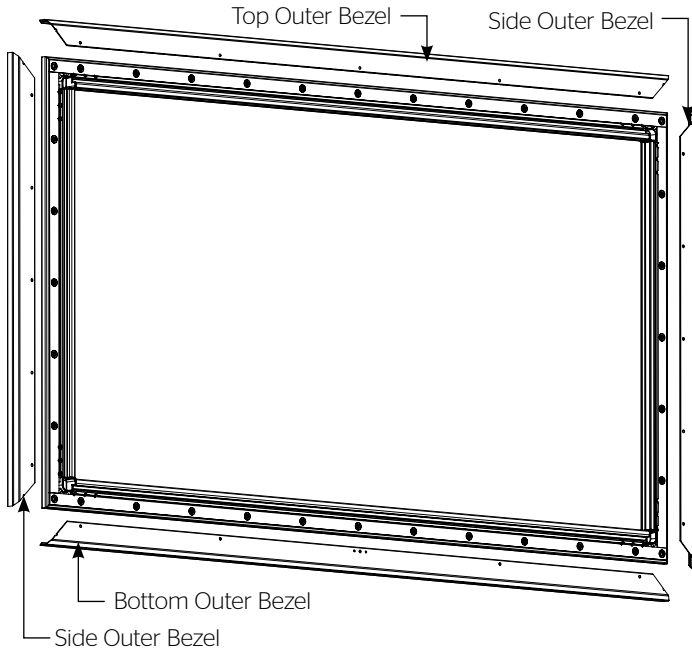


Figure 3a

3. Secure the outer bezel to the inner frame by inserting the #10 x 3/8" black screws into each of the large holes on all four sides of the screen (Figure 5).

Note: The long outer bezel side with (2) or (4) small holes will be the bottom of the screen. Do not insert screws in these holes as they will be needed for the next step.

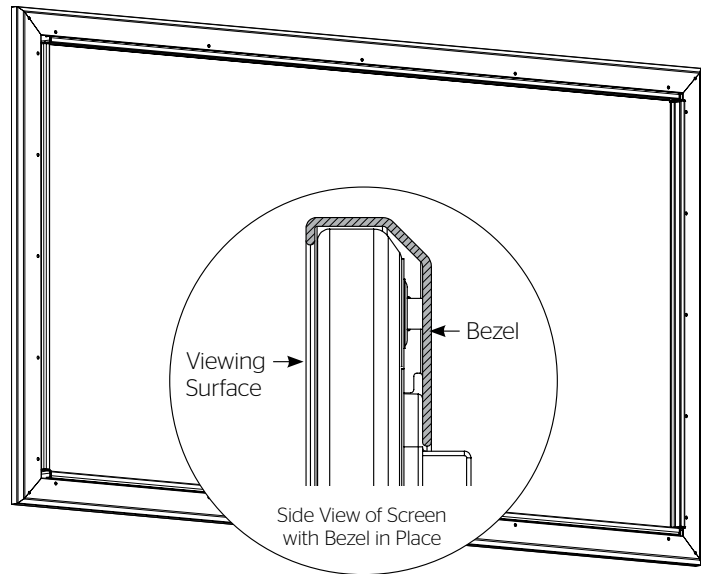


Figure 3b

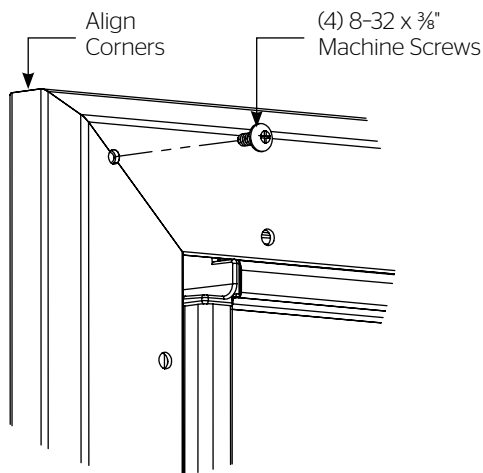


Figure 4

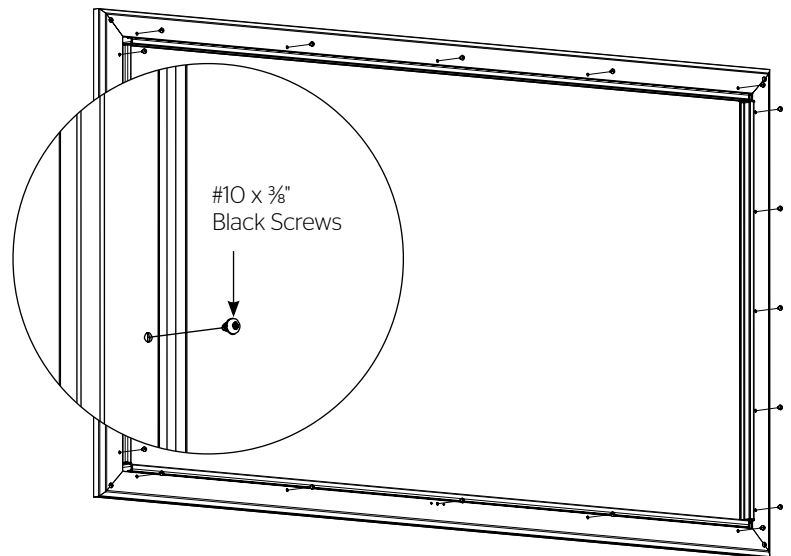


Figure 5

Outer Bezel Assembly (continued)

4. Depending on the size of your screen, you will have one or two frame brackets.
 - a. For screens under 104" wide viewable, attach (1) frame bracket to the bottom of the screen with (2) #10 x $\frac{3}{8}$ " pointed BLACK screws (Figure 6).
 - b. For screens 104" wide viewable and over, attach (2) frame brackets. If your screen is 104" or over in viewing area width (Figure 7).
5. Insert 8-32 x $\frac{1}{2}$ " zinc plated fillister screw into frame bracket(s) (Figure 6 or 7). Rotate four or five turns only.

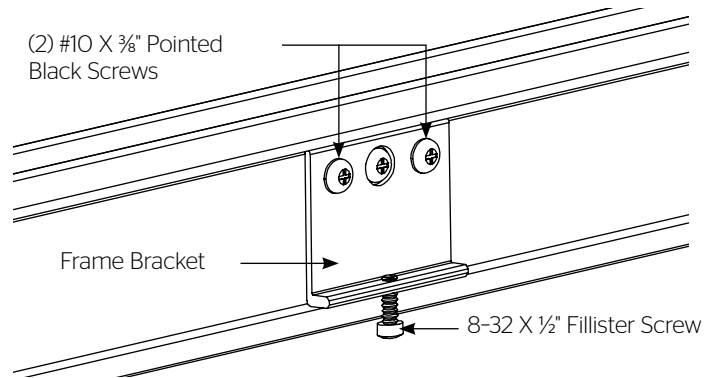


Figure 6 – Screens Under 104" in Viewing Width

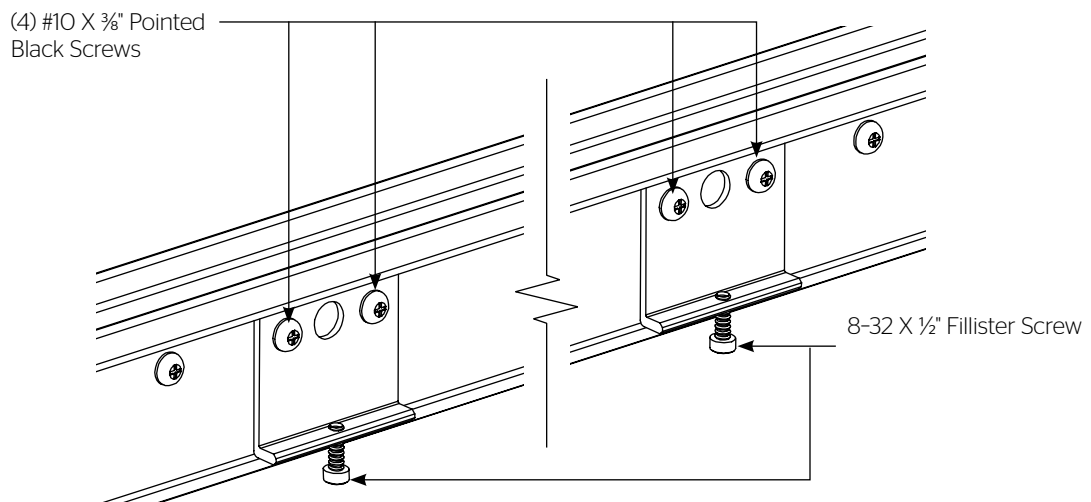


Figure 7 – Screens 104" and Over in Viewing Width

Installation of Screens Under 104" in Viewing Width

1. Secure the large top wall bracket to wall studs at the desired height. Make sure the bracket is level. The top of the screen will be 2- $\frac{1}{4}$ " above the top of the edge of this wall bracket when mounted. You will need at least a 3" clearance above the bracket to hang the screen (Figure 8).
2. To install the small bottom wall bracket, you must measure the overall height of the screen and subtract 3". Find the center point of the top wall bracket. Using your screen height minus 3", measure down from the top edge of the top wall bracket and mark the wall. This will be the center point of the bottom edge of the bottom wall bracket. Level the bottom wall bracket and mark the wall for the two screw holes in this bracket (Figure 8).
3. Attach the bottom wall bracket to the wall.
4. Lift the screen at least 3" over the top wall bracket. Lower the screen until the frame hooks onto the top wall bracket.
5. To secure your screen against wall, locate the fillister screw in the bottom frame bracket. Tighten the screw until it touches the bottom wall bracket, then rotate two more turns (Figure 8).

Note: This screw can be rotated up to three more turns if stretching of viewing surface is needed.

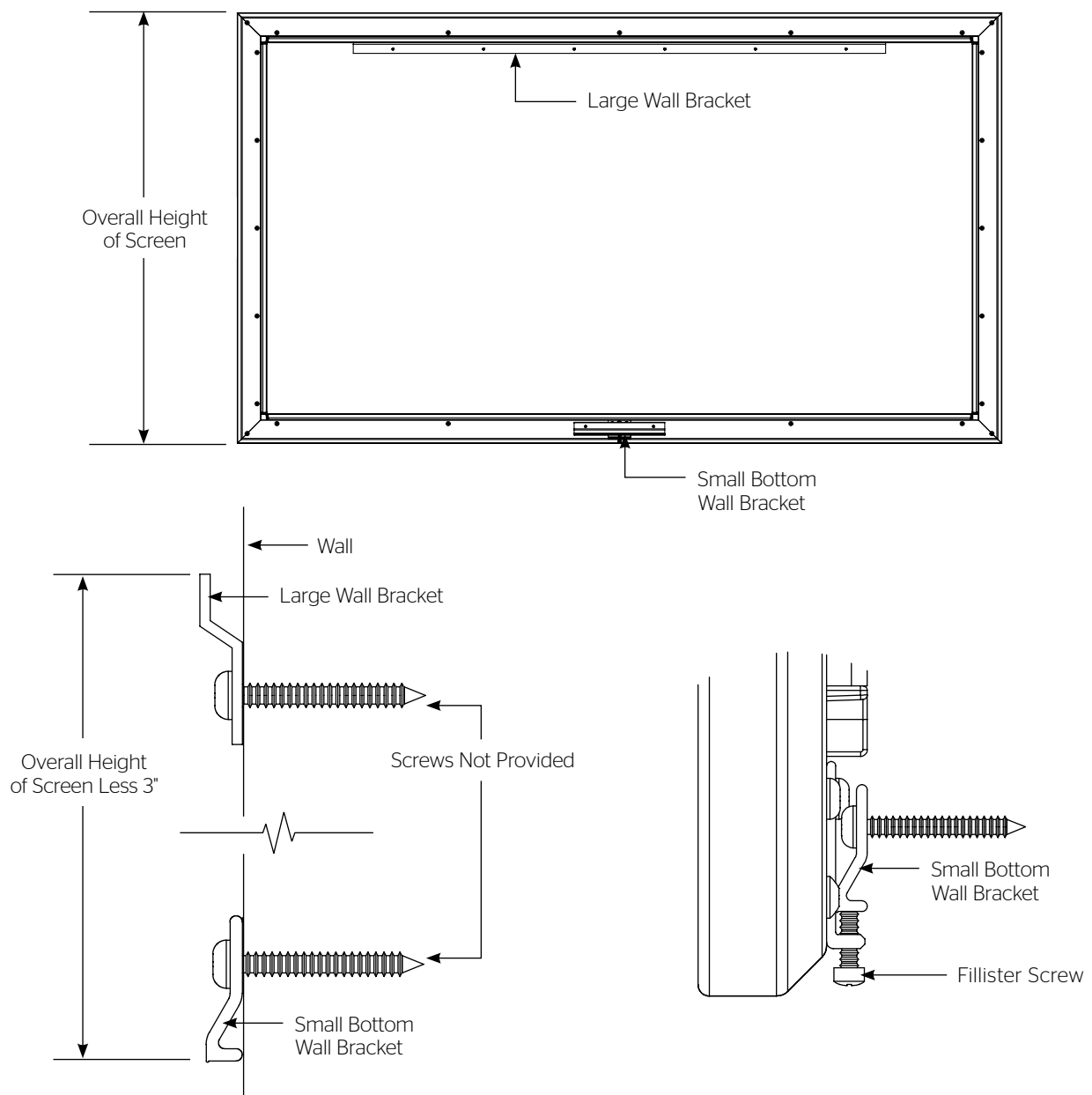


Figure 8 – Screens Under 104" in Viewing Width

Installation of Screens 104" and Over in Viewing Width

1. Secure the (2) large top wall bracket to wall studs at the desired height. Make sure the brackets are level. The top of the screen will be 2-1/4" above the top of the edge of this wall bracket when mounted. You will need at least a 3" clearance above the brackets to hang the screen (Figure 9).
2. To install the large bottom wall bracket, you must measure the overall height of the screen and subtract 3". Draw a line on your wall between the top edges of the two top wall brackets. Mark the center point between the top wall brackets on this line. Using your screen height minus 3", measure down from this center point and mark the wall. This will be the center point of the bottom edge of the bottom wall bracket. Level the bottom wall bracket and mark the wall for the six screw holes in this bracket (Figure 9).
3. Attach the bottom wall bracket to the wall.
4. Lift the screen at least 3" over the top wall brackets. Lower the screen until the frame hooks onto the top wall brackets.
5. To secure your screen against wall, locate the fillister screws in the bottom frame brackets. Tighten the screws until they touch the bottom wall bracket, then rotate two more turns (Figure 9).

Note: This screw can be rotated up to three more turns if stretching of viewing surface is needed.

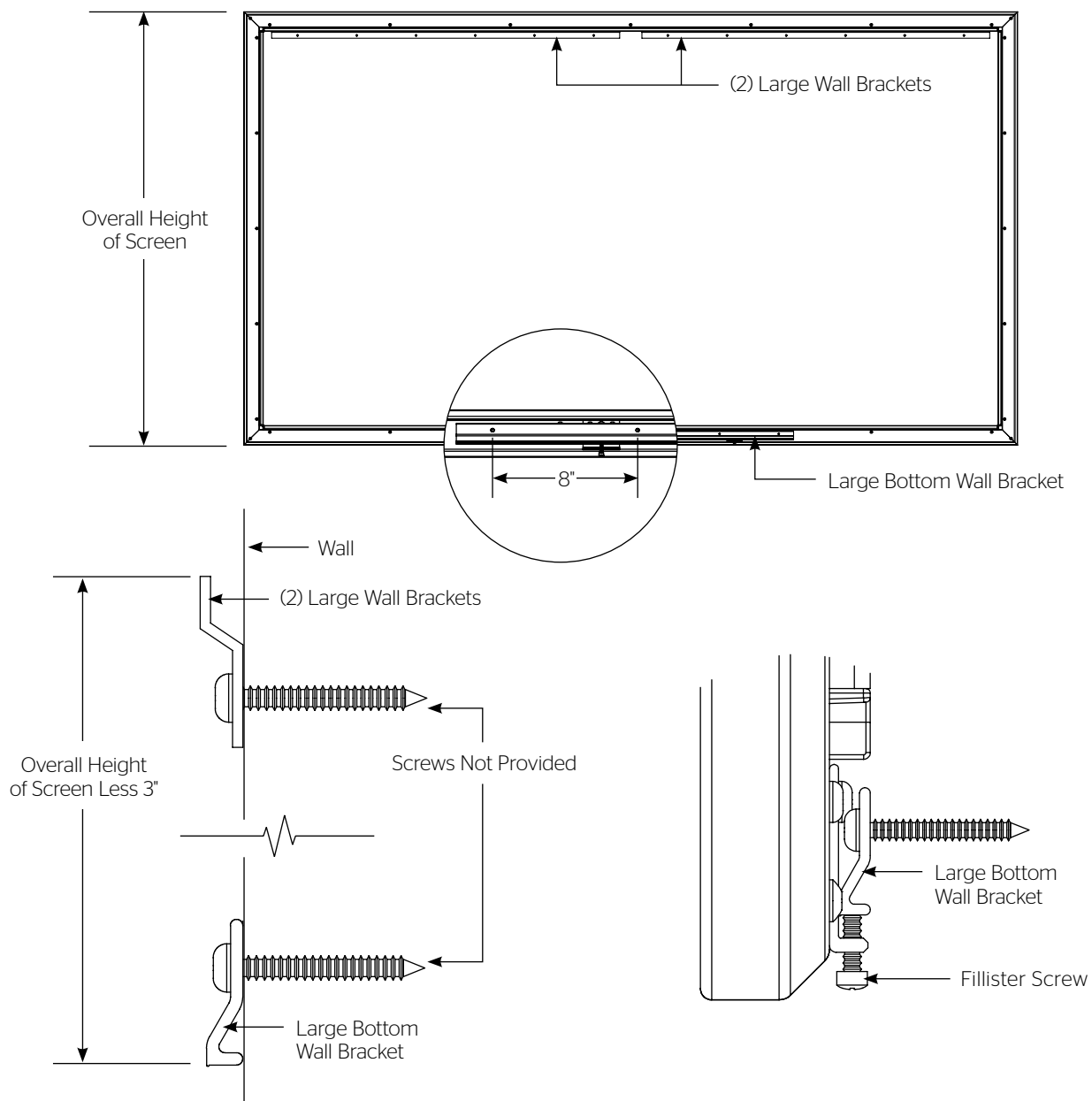


Figure 9 – Screens 104" and Over in Viewing Width

Conditions for Transportation and Storage

- Temperature: Between 40 - 100°F (5 - 40°C)
- Relative Humidity: 30% to 70%, non-condensing
- Always keep the projection screen horizontal during transport and storage
- Make sure the entire package is supported when stored
- Do not stack more than six projection screens on top of each other
- Make sure the heaviest package is placed at the bottom of the stack

Screen surface should be allowed to air out once every two months, or otherwise used on a regular basis, if the temperature is above 72°F (22°C) and at least once every month if the temperature goes above 85°F (30°C).

LIMITED FIVE YEAR WARRANTY ON DA-LITE PRESENTATION PRODUCTS

Milestone AV Technologies LLC warrants certain Da-Lite branded products to the original purchaser only, to be free from defects in materials and workmanship for a period of five (5) years from the date of purchase by the original purchaser; provided they are properly operated according to Da-Lite's instructions and are not damaged due to improper handling or treatment after shipment from the factory.

This warranty does not apply to equipment showing evidence of misuse, abuse or accidental damage, or which has been tampered with or repaired by a person other than authorized Da-Lite personnel.

Da-Lite's sole obligation under this warranty shall be to repair or to replace (at Da-Lite's option) the defective part of the merchandise. Returns for service should be made to your Da-Lite dealer. If it is necessary for the dealer to return the screen or part to Da-Lite, transportation expenses to and from Da-Lite are payable by the purchaser and Da-Lite is not responsible for damage in shipment. To protect yourself against damage or loss in transit, insure the product and prepay all transportation expenses.

TO THE MAXIMUM EXTENT PERMITTED BY APPLICABLE LAW, THIS WARRANTY IS IN LIEU OF ALL OTHER WARRANTIES, EXPRESS OR IMPLIED, INCLUDING WARRANTIES AS TO FITNESS FOR USE AND MERCHANTABILITY. Any implied warranties of fitness for use, or merchantability, that may be mandated by statute or rule of law are limited to the five (5) year warranty period. This warranty gives you specific legal rights, and you may also have other rights, which vary from state-to-state. **TO THE MAXIMUM EXTENT PERMITTED BY APPLICABLE LAW, NO LIABILITY IS ASSUMED FOR EXPENSES OR DAMAGES RESULTING FROM INTERRUPTION IN OPERATION OF EQUIPMENT, OR FOR INCIDENTAL, DIRECT, OR CONSEQUENTIAL DAMAGES OF ANY NATURE.**

In the event that there is a defect in materials or workmanship of a Da-Lite product, you may contact our Customer Care Specialists at 3100 North Detroit Street, Warsaw, IN 46582, (574) 267-8101, (800) 622-3737.

IMPORTANT: THIS WARRANTY SHALL NOT BE VALID AND DA-LITE BRANDED PRODUCTS SHALL NOT BE BOUND BY THIS WARRANTY IF THE PRODUCT IS NOT OPERATED IN ACCORDANCE WITH THE DA-LITE WRITTEN INSTRUCTIONS.

Keep your sales receipt to prove the date of purchase and your original ownership.



FOR YOUR IMAGE | legrandav.com

USA P 866.977.3901 E info@da-lite.com
CANADA P 877.345.4329 E canadainfo@milestone.com
EMEA P +31 495 580 840 E emea.sales@milestone.com
APAC P +852 2145 4099 E asia.da-lite@milestone.com

In British Columbia, Milestone AV Technologies ULC carries on business as MAVT Milestone AV Technologies ULC.

©2018 Milestone AV Technologies. DL-0142 (Rev. 5) 7/18 Da-Lite is a registered trademark of Milestone AV Technologies. All other brand names or marks are used for identification purposes and are trademarks of their respective owners. All patents are protected under existing designations. Other patents pending.