

# Tensioned Professional Electrol®

Automatic Electric Projection Screen Model



SPECIFICATION DATA

**SUGGESTED SPECIFICATIONS:** \_\_\_\_\_ projection screen(s), \_\_\_\_\_(H) x \_\_\_\_\_(W), electrically operated 120 volt (60Hz) not more than 2.4 amp. Shall have specially designed motor mounted inside the roller, to be three wire with ground quick reversal type, oiled for life, with automatic thermal overload cut-out, integral gears, capacitor and an electric brake to prevent coasting. To have pre-set but adjustable limit switches to automatically stop picture surface in the "up" and "down" positions. The roller to be of 4½" diameter aluminum. Roller to be mounted in one heavy duty bracket equipped with self-aligning bearing. Motor to be secured to the case with a steel motor mount bracket. Screen fabric to be flame retardant and mildew resistant vinyl with black masking borders standard. Each side of fabric to have

a tab guide cable system to maintain even lateral tension and hold surface flat. Bottom of fabric to be inserted into a custom aluminum slat bar with added weight to provide vertical tension on the screen surface. The ends of the slat to be protected by heavy duty plastic caps enclosing a preset adjustable mechanism for screen tensioning. Case to be of wood, with double top for extra rigidity and strength. Case to be finished with a black primer coat, ready to accept final finish by others, heavy metal brackets shall be supplied for mounting screen to ceiling or wall. To be complete with 3 position control switch with cover plate. Screen to be listed by Underwriter's Laboratories.



## HDTV (16:9) Format Dimensions

Viewing Area (H x W)		Nominal Diagonal		Overall Length of Case		Approx. Hang. Wt.		Approx. Ship. Wt.	
In.	Cm	In.	Cm	In.	Cm	Lbs.	Kg	Lbs.	Kg
92" x 164"	234 x 417	188"	478	185¾"	472	283	128.3	571	259.0
108" x 192"	274 x 488	220"	559	215¼"	547	327	148.3	658	298.5
121" x 216"	307 x 549	247"	627	241¼"	613	337	152.8	779	353.3
135" x 240"	343 x 610	275"	699	267¼"	679	372	168.7	815	369.7
146" x 260"	372 x 660	298"	757	288¾"	733	403	182.8	897	406.9

## Wide (16:10) Format Dimensions

Viewing Area (H x W)		Nominal Diagonal		Overall Length of Case		Approx. Hang. Wt.		Approx. Ship. Wt.	
In.	Cm	In.	Cm	In.	Cm	Lbs.	Kg	Lbs.	Kg
110" x 176"	279 x 447	208"	528	199½"	507	306	138.8	615	279.0
120" x 192"	305 x 488	226"	574	216¾"	551	332	150.6	668	303.0
135" x 216"	342 x 549	255"	648	243"	617	343	155.6	756	342.9
150" x 240"	381 x 610	283"	719	269"	683	379	171.9	836	379.2

## Video (NTSC 4:3) Format Dimensions

Viewing Area (H x W)		Nominal Diagonal		Overall Length of Case		Approx. Hang. Wt.		Approx. Ship. Wt.	
In.	Cm	In.	Cm	In.	Cm	Lbs.	Kg	Lbs.	Kg
108" x 144"	274 x 366	180"	457	167¼"	425	260	117.9	499	226.3
120" x 160"	305 x 406	200"	508	184¾"	469	288	130.6	523	237.2
126" x 168"	320 x 427	210"	533	193¾"	492	303	137.4	550	249.5
132" x 176"	335 x 447	220"	559	202¾"	515	315	142.9	620	281.2
144" x 192"	366 x 488	240"	610	220¼"	559	345	156.5	681	308.9
162" x 216"	411 x 549	270"	686	245¾"	624	353	160.1	789	357.9

### PRODUCT NOTES

- All viewing surfaces will be seamless.
- All viewing surfaces are standard with black backing except Da-Tex® and Dual Vision.
- All screens standard with 12" black drop at the top except the 150"H x 240"W (283" diagonal) and 162"H x 216"W (270" diagonal), which have 2".
- Extra drop may alter case dimensions. Contact Da-Lite for details.
- Overall case length dimensions +/- ¼" (6 mm).
- Detail dimensional drawings, wiring diagrams and installation instructions available upon request.
- Specifications subject to change without notice.
- Custom formats and sizes available upon request.

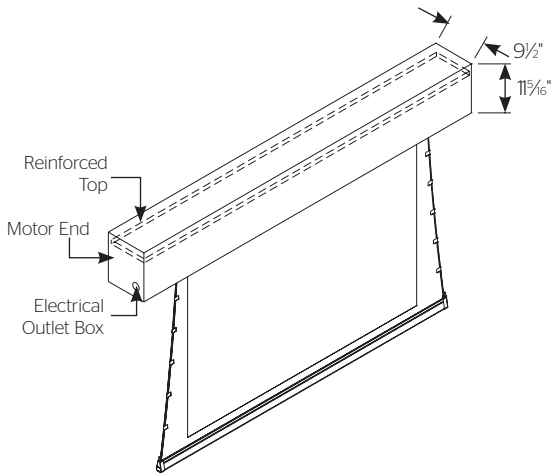
### WHEN ORDERING, MARK APPROPRIATE SELECTIONS:

- Select size from charts above:
- Select viewing surface (All Da-Lite surfaces are GREENGUARD GOLD Certified.):
 

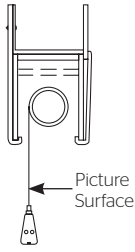
<input type="checkbox"/> Parallax Stratos 1.0	<input type="checkbox"/> HD Progressive 1.3
<input type="checkbox"/> HD Progressive 0.6	<input type="checkbox"/> Da-Mat®
<input type="checkbox"/> HD Progressive 0.9	<input type="checkbox"/> Da-Tex® (Rear)
<input type="checkbox"/> HD Progressive 1.1	<input type="checkbox"/> Dual Vision
<input type="checkbox"/> HD Progressive 1.1 Contrast	
- Options:
 

<input type="checkbox"/> 220 Volt (50 Hz) Motor
<input type="checkbox"/> White box (black standard)
- Optional Accessories:
 

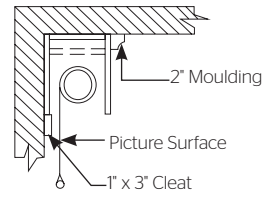
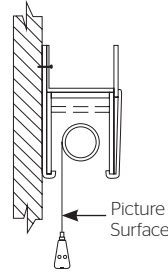
<input type="checkbox"/> Single Motor Low Voltage Control System (LVC) - external	<input type="checkbox"/> Key Locking Cover Plate for 120V or LVC Switch
<input type="checkbox"/> RS-232 Interface	<input type="checkbox"/> Key Operated Switch for 120V only (NOTE: Cannot be used with LVC)
<input type="checkbox"/> Ethernet Adapter	<input type="checkbox"/> Video Projector Interface Control - external
<input type="checkbox"/> Wireless Remote Control for LVC	
<input type="checkbox"/> Radio Frequency Remote	
<input type="checkbox"/> Radio Frequency Range Extender	
<input type="checkbox"/> Infrared Remote	



**Ceiling Type Hanger**

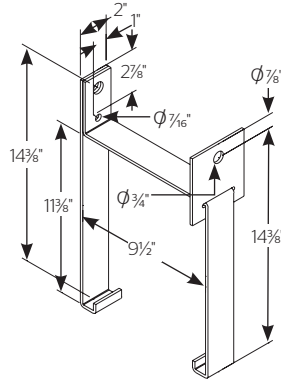


**Wall Type Hanger**



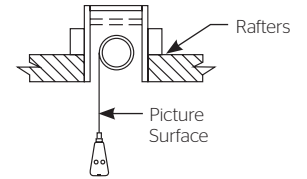
**Ceiling Mount Without Hangers**

Screen case is placed flush with the wall and ceiling and held in position by moulding securely attached to the wall.



**Wall Or Ceiling Mount With Hangers**

Wall type hangers and ceiling type hangers are standard equipment. One set is supplied with each screen. Useful for recessed installations.



**Recessed Above Ceiling**

Other methods of installation will suggest themselves in new buildings where it would be an easy matter to provide a recess for the screen to conceal it when not in use. Do not seal in-allow access.

**For Exposed Installation**

If the screen is to be mounted in an exposed position, it may be covered with finished plywood, veneer, paneling, plastic wall covering or a valance.

Project Name: \_\_\_\_\_

Architect: \_\_\_\_\_

Contractor: \_\_\_\_\_ Phone: \_\_\_\_\_

Reseller: \_\_\_\_\_ Phone: \_\_\_\_\_



FOR YOUR IMAGE | legrandav.com

USA P 866.977.3901 E av.da-lite.support@legrand.com  
 CANADA P 877.345.4329 E av.da-lite.support@legrand.com  
 EMEA P +31 495 580 840 E av.emea.sales@legrand.com  
 APAC P +852 2145 4099 E av.asia.sales@legrand.com

© 2021 Legrand AV Inc. 200088 (Rev. 1) 8/21 Da-Lite is a registered trademark of Legrand AV Inc. All other brand names or marks are used for identification purposes and are trademarks of their respective owners. All patents are protected under existing designations. Other patents pending.



**COMMERCIAL BRANDS**

Chief | Da-Lite | Middle Atlantic | Projecta | Vaddio