



---

INSTRUCTION MANUAL

# Tensioned Designer Contour Electrol & Designer Contour Electrol

---



# Original Instructions

## Disclaimer

---

Legrand AV Inc. and its affiliated companies and subsidiaries (collectively, "Legrand AV"), intend to make this manual accurate and complete. However, Legrand AV makes no claim that the information contained herein covers all details, conditions or variations, nor does it provide for every possible contingency in connection with the installation or use of the products described herein. The content herein is subject to change without notice or obligation of any kind. To the

maximum extent permitted by applicable law, Legrand AV makes no representation or warranty, expressed or implied, regarding the information contained herein. Furthermore, Legrand AV assumes no responsibility for accuracy, completeness or sufficiency of the information contained in this document.

Da-Lite® is a registered trademark of Legrand AV. All rights reserved.

## Important Safety Instructions

---

When using your video equipment, basic safety precautions should always be followed, including the following:

1. Read and understand all instructions before using.
2. Position the cord so that it will not be tripped over, pulled, or contact hot surfaces.
3. If an extension cord is necessary, a cord with a current rating at least equal to that of the appliance should be used. Cords rated for less amperage than the appliance may overheat.
4. To reduce the risk of electric shock, do not disassemble this appliance. Contact an authorized service dealer when repair work is required. Incorrect reassembly can cause electric shock when the appliance is used subsequently.
5. The use of an accessory attachment not recommended by the manufacturer may cause a risk of fire, electric shock, or injury to persons.
6. Failure to provide adequate structural strength for this component can result in serious personal injury or damage to equipment! It is the installer's responsibility to make sure the structure to which this component is attached can support the weight of all equipment. Reinforce the structure as required before installing the component.
7. Use this projection screen only for its intended use as described in these instructions. Do not use attachments not recommended by the manufacturer.

**Save These Instructions**

# Table of Contents

---

- 4 Installation (all models)
- 6 Operating Instructions for Agility™ Battery Motor Models
- 8 Electrical Connections and Operating Instructions for 120V and 220V Models

# Installation

Carefully unpack screen and remove outer wrapping from case.

Tensioned models: Remove the shipping brackets from the slat bar after the case has been installed.

Non-Tensioned models: Remove the black tape from the slat bar after the case has been installed.

There are three ways to install the Designer Contour: Wall Mount, Ceiling Mount, or Ceiling Hook and two ways to install the Tensioned Designer Contour: Wall Mount or Ceiling Mount. Procedures for each method are as follows:

**NOTE:** For proper operation, case must be levelled side to side and front to back.

## Wall Mount

1. Secure the wall mount bracket to the wall at the desired height. Bracket should be fastened to wall studs or some reinforcement within the wall. Concrete or brick walls require special fasteners and anchors.
2. Make sure the bracket is level. See figure 1 for reference dimensions.
3. Keep in mind you will need at least 5/8" between the ceiling and the top of the wall mount bracket to be able to position the case on the bracket.
4. Mount the screen case on the wall bracket as shown in figure 1. Be sure the case is fully seated on the bracket. Tighten the stop screws against the wall bracket.

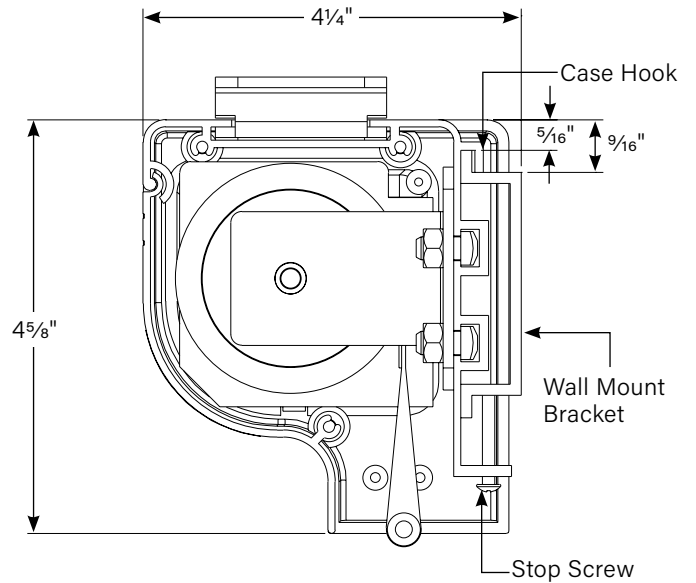


Figure 1

## Ceiling Mount

1. Do not remove the wall mount bracket, even if you are not using it for mounting. This provides structural stability to the case.
2. Be sure the ceiling has adequate reinforcement to attach the screen brackets.
3. The top of the screen case has a channel that the ceiling mount brackets slide into. Remove the end cap on the right end of the case and insert the brackets into the case channel. Lock the brackets in place by tightening two set screws. Refer to figure 2. Mount cannot be more than 12" from end of case.
4. Hold the screen case up to the ceiling and mark the hole locations. Drill holes into the ceiling and attach screen with the appropriate fasteners for your ceiling.

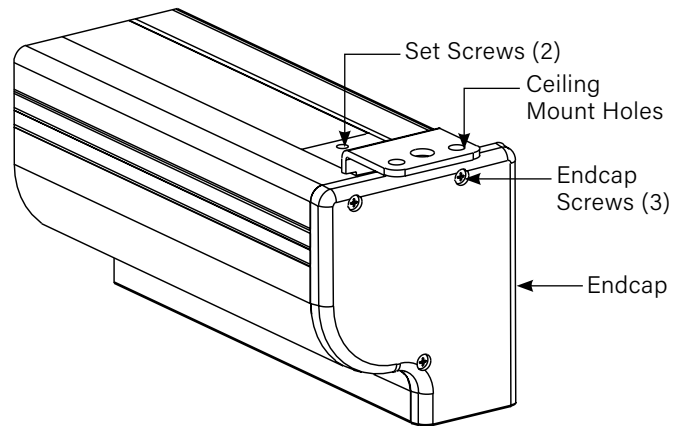


Figure 2

## Installation (continued)

### Ceiling Hook

**NOTE:** For non-tensioned models only. Do not hang tensioned models using hooks as movement during retraction can cause the slat to catch on case opening and result in fabric damage.

1. Do not remove the wall mount bracket, even if you are not using it for mounting. This provides structural stability to the case.
2. Be sure the ceiling has adequate reinforcement to attach a hook anchor.
3. The top of the screen case has a channel that the ceiling hook brackets slide into. Remove the end cap on the right end of the case and insert the brackets into the case channel. Lock the brackets in place by tightening two set screws. Refer to figure 3.
4. The brackets can be attached anywhere within 12" of the end of the case.
5. Attach an S-hook or similar fastener to the large center hole on the bracket.

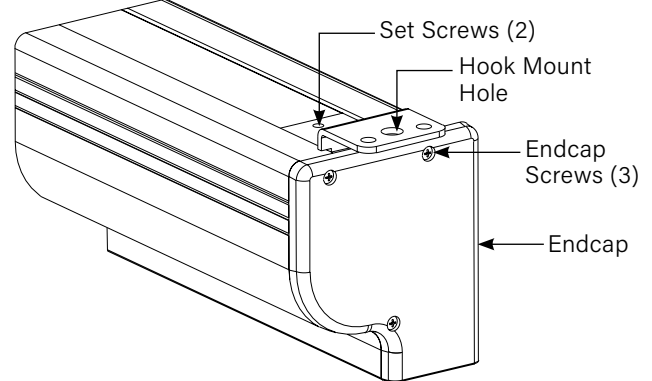


Figure 3

### Wiring

Open the junction box cover to access the wiring for power or to access the micro-USB charging port for screens with the Agility Battery Motor. A knockout is provided for conduit installation. Refer to figure 4.

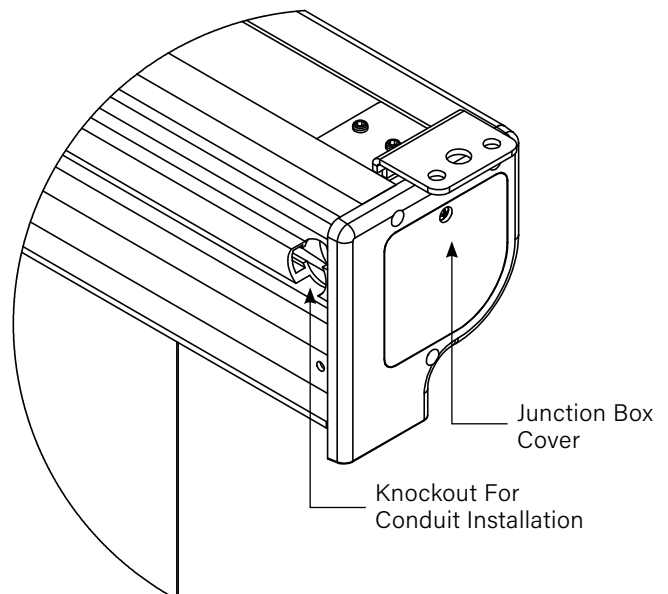


Figure 4

# Operating Instructions for Agility Battery Motor Models

## Charging Instructions

The motor has a 12V built in lithium-ion battery pack with integrated charge management.

Max power input for recharging: 5V 2A.

Before first use, charge motor for 6 hours using 5V charger (use included micro-USB to USB-A cable and wall adaptor or most phone chargers are 5V) .

With a full charge the screen can operate for approximately 200 up/down cycles (based on largest standard size of 113" diagonal).

**NOTE:** If the screen receives little or no use for an extended period of time the battery should be charged every 3-4 months.

**NOTE:** The total capacity of the lithium-ion battery can decrease over time depending on frequency of use and charging habits.

## Screen Motor P1 Button Instructions

The P1 button is also the charging indicator light.

1. Cycle Operation: Press P1 button once and every press the motor will run upward > stop > downward, cycle in turn.
2. Pairing or Pair/unpair Additional Transmitters: Press P1 button for 2S, motor will jog once, release button and you will hear a long noise, motor is ready for pairing or pair/unpair additional transmitter.
3. Radio Lock: Press and hold P1 button for 6S, the motor will jog twice, release button and beep twice, the motor enters radio lock status, the motor won't receive any signal; press P1 button once to disable Radio Lock.

**NOTE:** Do not press the P1 button longer than 6S. Pressing the button for 10S reverses the motor direction, which could result in screen damage.

## Transmitter

Battery: 3V (CR2450)

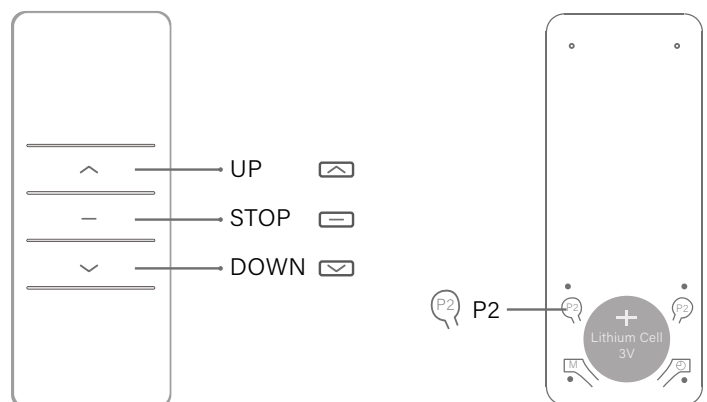
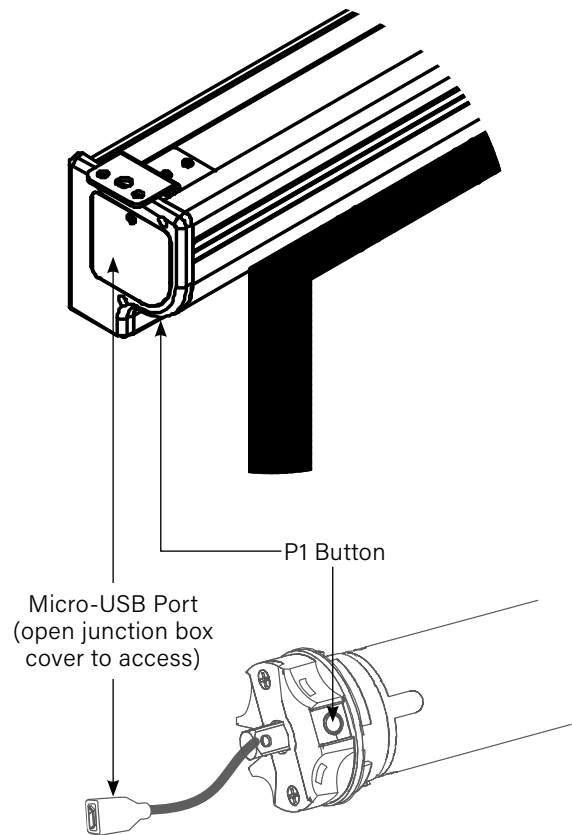
Battery life: >2 years

Radio frequency: 433.925 Mhz

Radio range: 60 ft. (18 meters)

Transmitting power: 10 mW

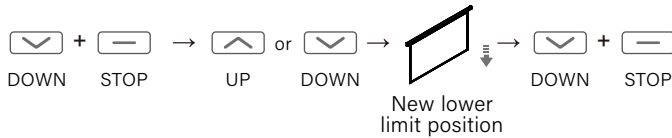
Working temperature: 23°F ~ 122°F (-5°C ~ 50°C)



# Operating Instructions for Agility Battery Motor Models (continued)

## Adjust Limits

- Lower limit: Press and hold DOWN and STOP buttons for 5S (1 jog and you will hear a long noise), operate the screen to desired new lower limit position, press and hold DOWN and STOP buttons for 2S (2 jogs and 3 beeps), the new lower limit is programmed successfully.



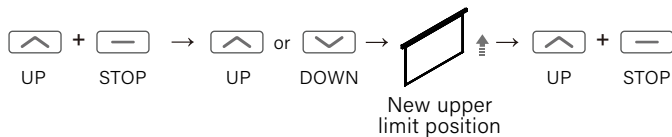
### All Models

- CAUTION:** Do not adjust for more drop than what was ordered. At least 1-1/2 wraps of fabric must remain on the roller.
- ATTENTION!** N'effectuez pas de réglage pour obtenir un déroulement supérieur à celui commandé. Au moins 1 à 1/2 tour de toile doit être maintenu sur le cylindre.

### Tensioned Models Only

- CAUTION:** Adjusting the down limit switch for less drop by more than 6" can cause the screen surface to lose proper tensioning.
- ATTENTION!** LE FAIT D'AJOUTER NE DÉROULEZ PAS TROP L'ÉCRAN PLUS DE 15 CM (6PO) AUX INTERRUPTEURS DE FIN DE COURSE PEUT FAIRE PERDRE LA BONNE TENSION À LA SURFACE DE L'ÉCRAN.

- Upper limit: Press and hold UP and STOP buttons for 5S (1 jog and you will hear a long noise), operate the screen to the desired new upper limit position, press and hold UP and STOP buttons for 2S (2 jogs and 3 beeps), the new upper limit is programmed successfully.

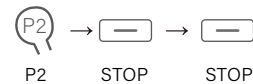


**NOTE:** Do not adjust the upper limit to a higher position than was set in the factory or fabric damage may occur.

## Add an Intermediate Position

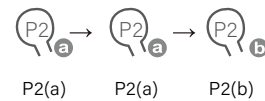
When an intermediate position has been created, a long press of the STOP button will send the screen to the intermediate position.

- Set intermediate position: Check that both upper and lower limits are set. Operate the product to desired position. Press P2 (1 jog and 1 beep), press STOP (1 jog and 1 beep), STOP again (2 jogs and 3 beeps), the intermediate position is set.
- Press P2 (1 jog and 1 beep), press STOP (1 jog and 1 beep), STOP again (1 jog and make a long noise), the intermediate position is deleted.

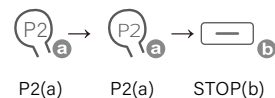


## Pair / Unpair Additional Transmitter

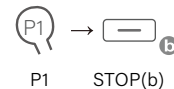
- Method one: Press P2 (1 jog and 1 beep) and P2 (1 jog and 1 beep) on existing transmitter, press P2 on new transmitter to add (2 jogs and 3 beeps), new transmitter is paired to the motor. Repeating the same procedure will unpair the additional transmitter.



- Method two: Press P2 (1 jog and 1 beep) and P2 (1 jog and 1 beep) on existing transmitter, press STOP on new transmitter for 2S to add (2 jogs and 3 beeps), new transmitter is paired to the motor.



- Method three: Press P1 button for 2S (1 jog), release button and make a long noise, press STOP on new transmitter for 2S to add (2 jogs and 3 beeps), new transmitter is paired to the motor. Repeating the same procedure will unpair the additional transmitter.



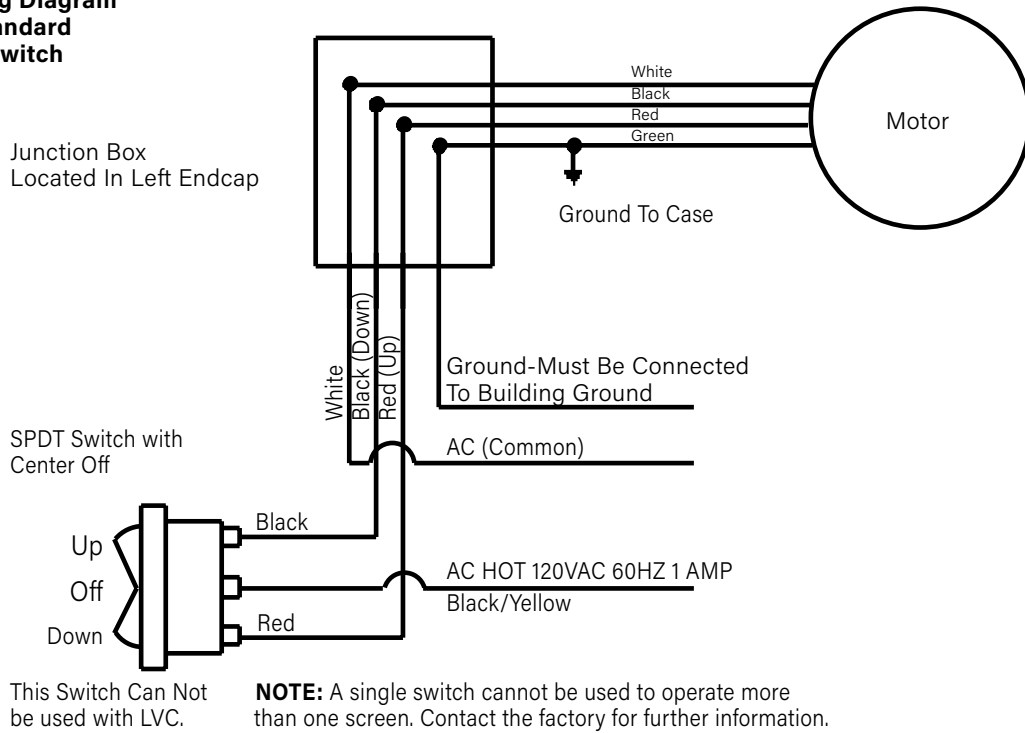
**NOTE:** (a) as existing transmitter, (b) as new transmitter to pair/unpair; All the settings of the motor will be kept after adding the new transmitter.

# Electrical Installation - 120V/220V Models

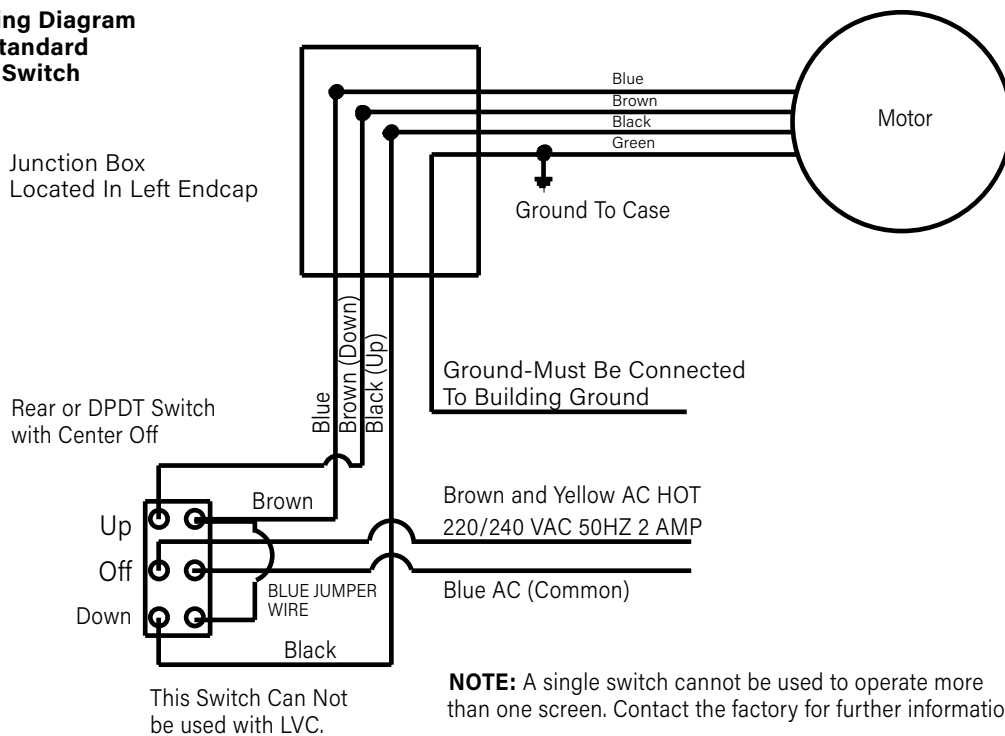
Internal wiring has been completed at the factory. Installer must route power to the wall switch and to the junction box located on the left end of the screen case.

Standard installation is for a single 120VAC or 220VAC wall switch to control the screen.

## 120V Wiring Diagram For Standard Wall Switch



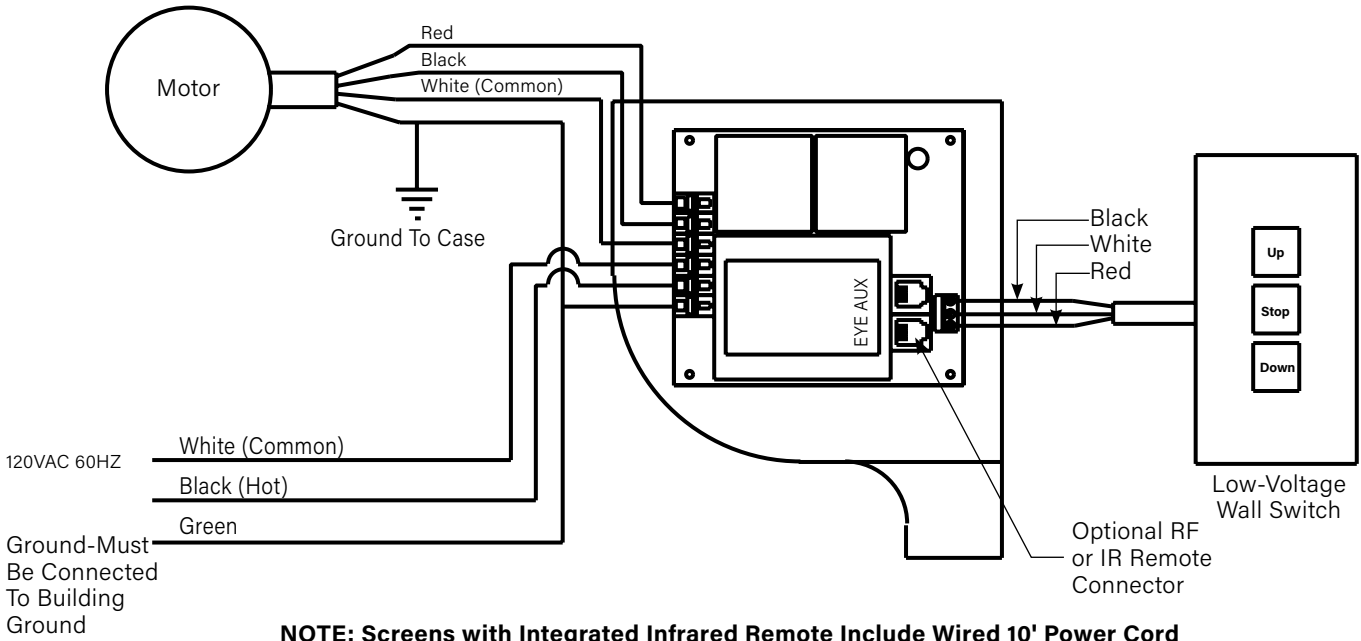
## 220V Wiring Diagram For Standard Wall Switch



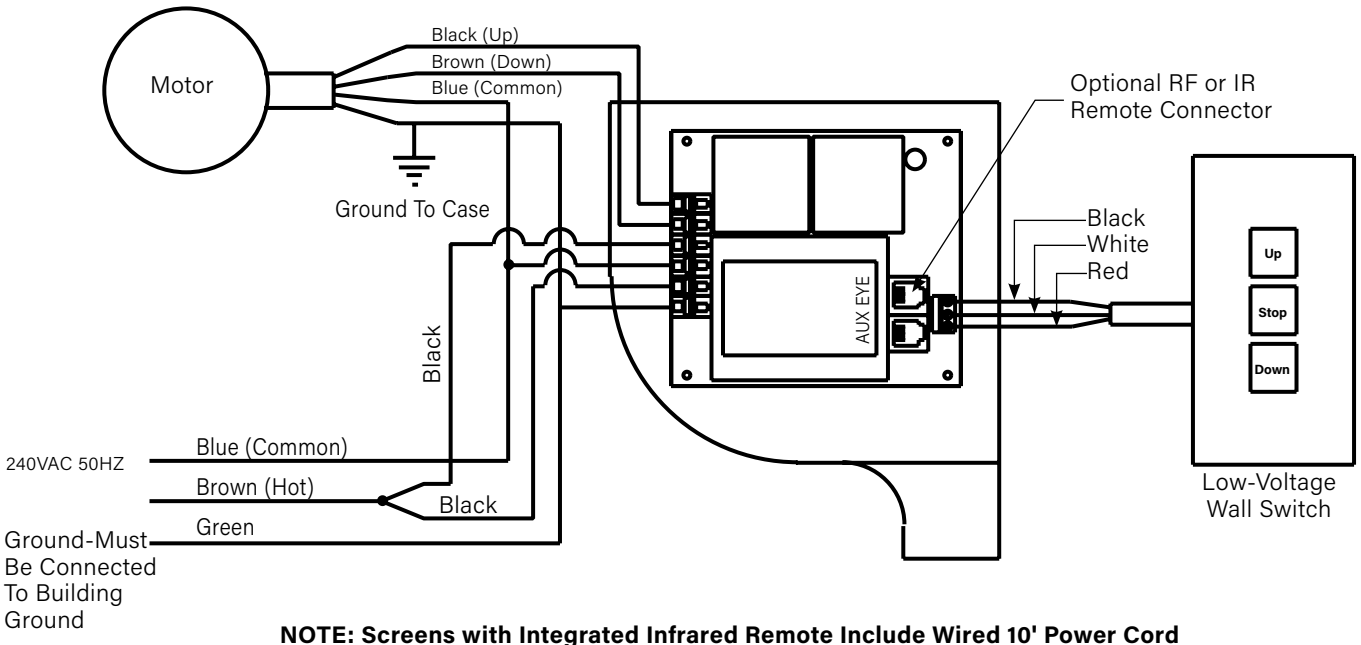


# Electrical Installation - 120V/220V Models with Optional LVC or Integrated IR

**120V Wiring Diagram  
With Optional Built-In  
Low Voltage Control or  
Integrated Infrared Remote**



**220V Wiring Diagram  
With Optional Built-In  
Low Voltage Control or  
Integrated Infrared Remote**

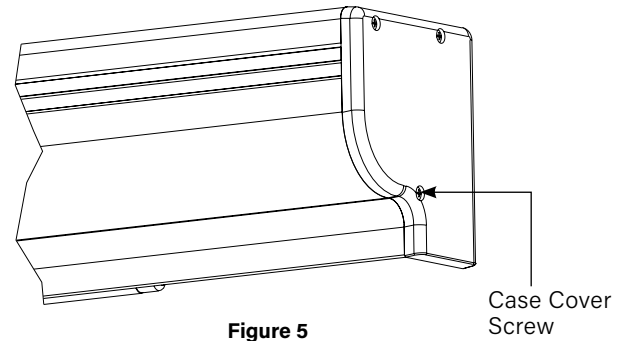


## Screen Adjustment - 120V/220V Models

Screen travel is stopped automatically in the down and up positions by the limit switches that are preset at the factory. If it's necessary to adjust for more or less drop, follow the steps below. The case cover must be removed to access the motor limit switches.

Remove the case cover screw from both ends of the screen. See figure 5. Be sure to hold the cover while removing the screws.

Rotate the cover up and away from the case until it can be removed. See figure 6.



### SETTING THE DOWN LIMIT POSITION

**To Reduce Screen Drop:** Turn the red limit switch screw clockwise to decrease the amount of screen drop. Run the screen down to test the stop position. If the screen drops too far, raise the screen about one foot and adjust the limit switch again. Repeat until the desired position is set.

**To Increase Screen Drop:** Turn the red limit switch screw counterclockwise to increase the amount of screen drop. Run the screen down to test the stop position. If the screen does not drop enough, raise the screen about one foot and adjust the limit switch again. Repeat until the desired position is set.

**⚠ CAUTION: Do not adjust for more drop than what was ordered. At least 1-1/2 wraps of fabric must remain on the roller. This screen comes standard with 0" or 2" black at top. See the specification data sheet for details.**

**⚠ ATTENTION! N'effectuez pas de réglage pour obtenir un déroulement supérieur à celui commandé. Au moins 1 à 1/2 tour de toile doit être maintenu sur le cylindre. Cet écran est doté de série d'une bande noire supérieure de 0 cm (0 po) ou 5 cm (2 po). Consultez la fiche technique pour plus de renseignements.**

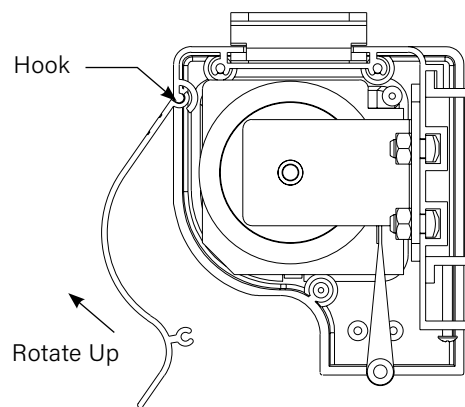


Figure 6

# Troubleshooting

Symptom	Cause	Solution
<b>Screen will not operate.</b> <b>Motor does not hum.</b>	Incorrect line voltage.	Verify 115-125V (or 220-240V). If insufficient voltage, rewire incoming electric line.
	Blown fuse.	Replace fuse.
	Tripped circuit breaker.	Reset circuit breaker.
	No power to operating switch or junction.	Check above. Tighten all loose wire connections. Correct any improper connections.  Down Position Check for power across black and white leads.  Up Position Check for power across red and white leads.
	Power at junction box Thermal overload tripped.	Let motor cool down for 15 minutes. Try again.
	Broken wire in the "down" or "up" position.	Check for continuity. Cut off old splice and reconnect.
	Defective motor, limit switch or capacitor.	Replace motor assembly. NOTE: Motor is a sealed assembly.
	Capacitor burned out.	Replace motor assembly.
<b>Incorrect stopping position in downward direction.</b>	Lost roller wrap.	See instructions below.
	"Down" limit switch out of adjustment.	See installation instructions.
<b>Incorrect stopping position in upward direction.</b>	Lost roller wrap.	See instructions below.
	"Up" limit switch out of adjustment.	Adjust "up" limit switch. Call for information.
<b>Noise.</b> <b>NOTE: Screen will operate with a low pitched hum.</b>	Gear noise.	Replace motor assembly.
<b>Coasting.</b>	Defective brake.	Replace motor assembly.

## Restoring Lost Roller Wrap

1. Tape a strap to the bottom of the screen surface.
2. Push strap over back of roller.
3. Feed fabric as you pull strap to draw fabric over top of roller.
4. Remove tape and strap.

## Conditions for Transportation and Storage

---

- Temperature: Between 40 - 100°F (5 - 40°C)
- Relative Humidity: 30% to 70%, non-condensing
- Always keep the projection screen horizontal during transport and storage
- Make sure the entire package is supported when stored
- Do not stack more than six projection screens on top of each other
- Make sure the heaviest package is placed at the bottom of the stack

**Screen surface should be allowed to air out once every two months, or otherwise used on a regular basis, if the temperature is above 72°F (22°C) and at least once every month if the temperature goes above 85°F (30°C).**

### LIMITED FIVE-YEAR WARRANTY ON DA-LITE PRESENTATION PRODUCTS

Legrand AV Inc. warrants certain Da-Lite branded products to the original purchaser only, to be free from defects in materials and workmanship for a period of five (5) years from the date of purchase by the original purchaser; provided they are properly operated according to Da-Lite's instructions and are not damaged due to improper handling or treatment after shipment from the factory.

Limited five-year warranty applies to the following products:

Wireline Advantage®, Tensioned Advantage Series, Advantage Series, Tensioned DescenderPro, DescenderPro, Tensioned Conference, Tensioned Professional, Professional, Da-Lift Projector Lifts, Tensioned Contour®, Contour, Tensioned Cosmopolitan® Series, Cosmopolitan Series, Tensioned Designer Contour, Designer Contour, Slimline, Studio, Arena, Motorized Scenic Roller, Ascender, Parallax®, Parallax Thin, FullVision, UTB Contour, Cinema Contour, Da-Snap, Perm-Wall, Imager, IDEA™ Screen, IDEA Panoramic, Fast-Fold® Deluxe, Fast-Fold Deluxe Drapery Kits, Flex Plex, Da-Glas, Da-Plex and Rear Projection Mirror System.

This warranty does not apply to equipment showing evidence of misuse, abuse or accidental damage, or which has been tampered with or repaired by a person other than authorized Da-Lite personnel.

Da-Lite's sole obligation under this warranty shall be to repair or to replace (at Da-Lite's option) the defective part of the merchandise. Returns for service should be made to your Da-Lite dealer. If it is necessary for the dealer to return the screen or part to Da-Lite, transportation expenses to and from Da-Lite are payable by the purchaser and Da-Lite is not responsible for damage in shipment. To protect yourself against damage or loss in transit, insure the product and prepay all transportation expenses.

**TO THE MAXIMUM EXTENT PERMITTED BY APPLICABLE LAW, THIS WARRANTY IS IN LIEU OF ALL OTHER WARRANTIES, EXPRESS OR IMPLIED, INCLUDING WARRANTIES AS TO FITNESS FOR USE AND MERCHANTABILITY.** Any implied warranties of fitness for use, or merchantability, that may be mandated by statute or rule of law are limited to the five (5) year warranty period. This warranty gives you specific legal rights, and you may also have other rights, which vary from state-to-state. **TO THE MAXIMUM EXTENT PERMITTED BY APPLICABLE LAW, NO LIABILITY IS ASSUMED FOR EXPENSES OR DAMAGES RESULTING FROM INTERRUPTION IN OPERATION OF EQUIPMENT, OR FOR INCIDENTAL, DIRECT, OR CONSEQUENTIAL DAMAGES OF ANY NATURE.**

In the event that there is a defect in materials or workmanship of a Da-Lite product, you may contact Customer Care at 3100 North Detroit Street, Warsaw, IN 46582, (866) 977-3901.

**IMPORTANT: THIS WARRANTY SHALL NOT BE VALID AND DA-LITE BRANDED PRODUCTS SHALL NOT BE BOUND BY THIS WARRANTY IF THE PRODUCT IS NOT OPERATED IN ACCORDANCE WITH THE DA-LITE WRITTEN INSTRUCTIONS.**

Keep your sales receipt to prove the date of purchase and your original ownership.



FOR YOUR IMAGE | [legrandav.com](http://legrandav.com)

USA P 866.977.3901 E [av.da-lite.support@legrand.com](mailto:av.da-lite.support@legrand.com)  
CANADA P 877.345.4329 E [av.da-lite.support@legrand.com](mailto:av.da-lite.support@legrand.com)  
EMEA P +31 495 580 840 E [av.emea.sales@legrand.com](mailto:av.emea.sales@legrand.com)  
APAC P +852 2145 4099 E [av.asia.sales@legrand.com](mailto:av.asia.sales@legrand.com)

© 2020 Legrand AV Inc. 200633 12/20 Da-Lite is a registered trademark of Legrand AV Inc. All other brand names or marks are used for identification purposes and are trademarks of their respective owners. All patents are protected under existing designations. Other patents pending.



COMMERCIAL BRANDS

Chief | Da-Lite | Middle Atlantic | Projecta | Vaddio  
89697