

# Tensioned Contour® Electrol®

Automatic Electric Projection Screen



SPECIFICATION DATA

**SUGGESTED SPECIFICATIONS:** \_\_\_\_\_ projection screen(s), \_\_\_\_\_(H) x \_\_\_\_\_(W), electrically operated 120 volt (60 Hz) not more than 2.4 amp. Shall have specially designed motor mounted inside the roller, to be three wire with ground, quick reversal type, oiled for life, with automatic thermal overload cutout, integral gears, capacitor and an electric brake to prevent coasting. To have preset but adjustable limit switches to automatically stop the picture surface in the "up" and "down" positions. Junction box shall be integrated into the housing making it possible to install the housing and wire to the building's electrical system during construction. The junction box shall contain a quick connect connector that is mounted in the housing for easy plug-in connection to the motorized fabric and roller assembly. The motorized fabric and roller assembly may be installed in the case at the factory or at a later time at the job site. The roller to be of rigid

metal. Roller mounting brackets to be adjustable to allow centering or offsetting of the screen within the case. Screen case to be a two piece design made of extruded aluminum. Case to be finished in white, lightly textured powder coat. Screen fabric to be mildew resistant vinyl with black masking borders standard. Each side of fabric to have a tab guide cable system to maintain even lateral tension and hold surface flat. Bottom of fabric to be inserted into a custom aluminum slat bar with added weight to provide vertical tension on the screen surface. The ends of the slat to be protected by heavy duty plastic caps enclosing a preset adjustable mechanism for screen tensioning. To be complete with integrated low voltage control unit and three position control switch and cover plate. Screen to be listed by Underwriters' Laboratories.



## HDTV (16:9) Format Dimensions

Viewing Area (H x W)		Nominal Diagonal		Overall Length of Case For Vinyl Surfaces*		Overall Length of Case For Parallax Surface		Approx. Ship. Wt.	
In.	Cm	In.	Cm	In.	Cm	In.	Cm	Lbs.	Kg
45" x 80"	114 x 203	92"	234	100 3/4"	255	99 1/4"	252	79	35.8
52" x 92"	132 x 234	106"	269	113 3/4"	288	111 3/4"	284	83	37.6
54" x 96"	137 x 244	110"	279	117 1/4"	298	116 1/4"	295	86	39
58" x 104"	147 x 264	119"	302	125 3/4"	319	124 3/4"	317	95	43.1
65" x 116"	165 x 295	133"	338	138 3/4"	352	-	-	114	51.7
78" x 139"	198 x 353	159"	404	159 3/4"	406	-	-	134	60.8
90" x 160"	229 x 406	184"	467	181 3/4"	462	-	-	148	67.3

## Wide (16:10) Format Dimensions

Viewing Area (H x W)		Nominal Diagonal		Overall Length of Case For Vinyl Surfaces*		Overall Length of Case For Parallax Surface		Approx. Ship. Wt.	
In.	Cm	In.	Cm	In.	Cm	In.	Cm	Lbs.	Kg
50" x 80"	127 x 203	94"	239	100 3/4"	256	99 3/4"	253	77	34.9
57 1/2" x 92"	146 x 234	109"	277	112 3/4"	286	112 1/4"	285	83	37.6
60" x 96"	152 x 244	113"	287	118 3/4"	302	-	-	92	41.7
65" x 104"	165 x 264	123"	312	126 3/4"	322	-	-	95	43.1
69" x 110"	175 x 279	130"	330	133 3/4"	338	-	-	104	47.2
72 1/2" x 116"	184 x 295	137"	348	138 3/4"	352	-	-	114	51.7
87" x 139"	221 x 353	164"	417	160 3/4"	408	-	-	126	57.2
100" x 160"	254 x 406	189"	480	181 3/4"	462	-	-	148	67.1

## Video (NTSC 4:3) Format Dimensions

Viewing Area (H x W)		Nominal Diagonal		Overall Length of Case For Vinyl Surfaces*		Approx. Ship. Wt.	
In.	Cm	In.	Cm	In.	Cm	Lbs.	Kg
43" x 57"	109 x 145	72"	183	77 1/4"	196	66	29.9
50" x 67"	127 x 170	84"	213	87 3/4"	223	73	33.1
60" x 80"	152 x 203	100"	254	102 1/4"	260	84	38.1
69" x 92"	175 x 234	120"	305	111 3/4"	284	94	42.6
87" x 116"	221 x 295	150"	381	137 1/4"	349	114	51.7
108" x 144"	274 x 366	180"	457	167 3/4"	426	135	61.2
120" x 160"	305 x 406	200"	508	184 1/4"	468	148	67.1

\*Vinyl surfaces include all HD Progressive, Da-Mat, Da-TeX and Dual Vision surfaces

## PRODUCT NOTES

- All screens except Parallax standard with 12" black drop at the top. Screens with Parallax surface standard with 2" of black drop at the top.
- Extra drop may alter case dimensions. Contact Da-Lite for details.
- Overall case length dimensions +/- 1/4" (6mm).
- Detail dimensional drawings, wiring diagrams and installation instructions available upon request.
- Specifications subject to change without notice.
- Custom formats and sizes available upon request.

## SURFACE INFORMATION

- All viewing surfaces are standard with black backing except Da-Tex® and Dual Vision.
- Parallax available in sizes up to 58" x 104" in HDTV format and 57½" x 92" in Wide format.
- HD Progressive 1.1 Perf and HD Progressive 1.1 Contrast Perf available in sizes up to 87" x 116" in Video format and 78" x 139" in HDTV format.
- All surfaces will be seamless in the image area.
- All HD Progressive, Da-Mat, Da-Tex and Dual Vision surfaces are fire retardant.

## WHEN ORDERING, MARK APPROPRIATE SELECTIONS

1. Select size from charts on the other side.

2. Select viewing surface (All Da-Lite surfaces are GREENGUARD GOLD Certified):

- |   |  |
|---|--|
| <input type="radio"/> Parallax 0.8                | <input type="radio"/> HD Progressive 1.1 Contrast Perf |
| <input type="radio"/> HD Progressive 0.6          | <input type="radio"/> HD Progressive 1.3               |
| <input type="radio"/> HD Progressive 0.9          | <input type="radio"/> Da-Mat®                          |
| <input type="radio"/> HD Progressive 1.1          | <input type="radio"/> High Contrast Da-Mat®            |
| <input type="radio"/> HD Progressive 1.1 Perf     | <input type="radio"/> Da-Tex® (Rear)                   |
| <input type="radio"/> HD Progressive 1.1 Contrast | <input type="radio"/> Dual Vision                      |

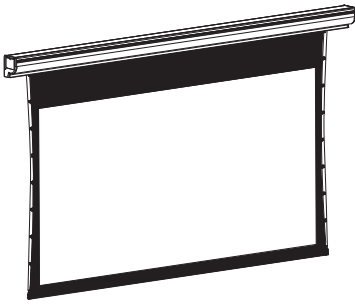
3. Options:

- |  |   |
|--|---|
| <input type="checkbox"/> 220 Volt (50 Hz) Motor.   | <input type="checkbox"/> SCB-200 RS-232 Serial Control Board - built-in (adds 3¾" to length of case). |
| <input type="checkbox"/> Video Projector Interface Control - built-in (adds 3¾" to case length of 220V motor version). | <input type="checkbox"/> WC-200 Wall Controller.  |
| <input type="checkbox"/> SCB-100 RS-232 Serial Control Board - built in (adds 3¾" to length of case).                  | <input type="checkbox"/> IR-200 Infrared Remote.  |
| <input type="checkbox"/> NET-100 Ethernet-Serial Adapter   | <input type="checkbox"/> Black case (white standard).   |

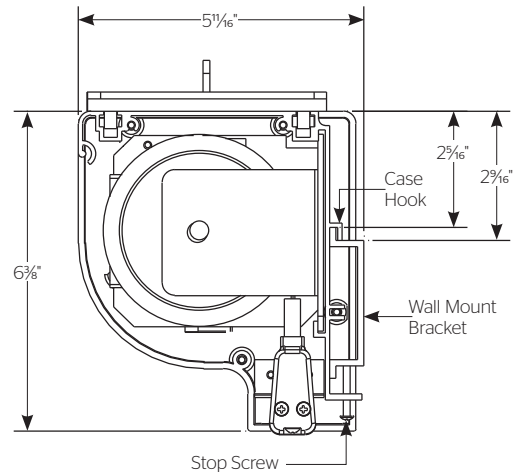
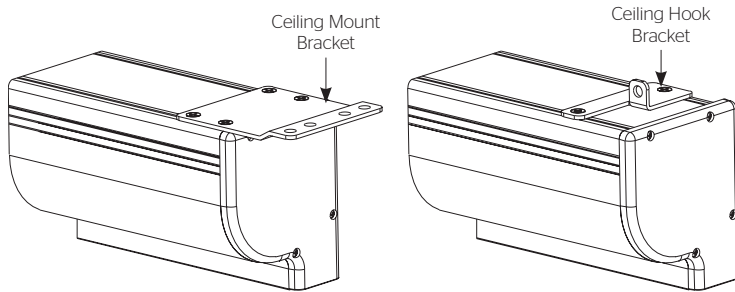
4. Optional accessories:

- |  |
|--|
| <input type="checkbox"/> Wireless Remote Control for LVC.          |
| <input type="checkbox"/> Radio Frequency Remote.                   |
| <input type="checkbox"/> Radio Frequency Range Extender available. |
| <input type="checkbox"/> Infrared Remote.                          |
| <input type="checkbox"/> Key Locking Cover Plate for LVC Switch.   |

## PRODUCT VIEW



## SUGGESTED METHODS OF INSTALLATION



### A BRAND OF MILESTONE AV TECHNOLOGIES

www.milestone.com

P 800.622.3737 / 574.267.8101

F 877.325.4832 / 574.267.7804

E info@da-lite.com

In British Columbia, Milestone AV Technologies ULC carries on business as MAVT Milestone AV Technologies ULC.

©2018 Milestone AV Technologies. DL-0194 (Rev. 5) 0418.  
Da-Lite is a registered trademark of Milestone AV Technologies. All other brand names or marks are used for identification purposes and are trademarks of their respective owners. All patents are protected under existing designations. Other patents pending.

Project Name: _____	Phone: _____
Architect: _____	Phone: _____
Contractor: _____	Phone: _____
Date: _____	Revised: _____