

# Tensioned Advantage Series

The Tensioned Advantage® ceiling recessed electric screen series is designed with ceiling trim in place, to conceal the rough opening eliminating the need to complete additional trim work once the screen is installed.

Its two-stage installation option affords the screen case to be installed during the rough-in construction stage, and the screen surface assembly during the finishing stage.

Sliding installation brackets allow mounting flexibility for easy attachment of the screen housing to the structure above the drop ceiling.

## Features

- Standard Low Voltage Control (LVC) and available optional controls allows screen operation flexibility
- UL Plenum rated case
- White powder-coated case for a clean aesthetic
- Decora-style, three-button wall switch
- All sizes standard with 12" of black drop except for Parallax® Pure which is standard with 2"
- Smooth Roll Technology keeps screen perfectly flat
- TruGuide Electric Screen Tensioning System provides optimal viewing surface smoothness
- Standard black backing retains projected brightness on front projection surfaces
- Seamless surfaces in all models
- Optional automatic closure door

## Optional Accessories

- Radio Frequency Wireless Remote
- Infrared Wireless Remote
- Locking Switch Cover Plate



## 16:9 HDTV Format

Viewing Area (H x W)		Nominal Diagonal	
in.	cm	in.	cm
45" x 80"	114 x 203	92"	234
52" x 92"	132 x 234	106"	269
54" x 96"	137 x 244	110"	279
58" x 104"	147 x 264	119"	302
65" x 116"	165 x 295	133"	338
78" x 139"	198 x 353	159"	404
90" x 160"	229 x 406	184"	467
108" x 192"	274 x 488	220"	559
121" x 216"	307 x 549	247"	627
135" x 240"	343 x 610	275"	699
146" x 260"	371 x 660	298"	757

## 16:10 Wide Format

Viewing Area (H x W)		Nominal Diagonal	
in.	cm	in.	cm
50" x 80"	127 x 203	94"	239
57½" x 92"	146 x 234	109"	277
60" x 96"	152 x 244	113"	287
65" x 104"	165 x 264	123"	312
69" x 110"	175 x 279	130"	330
72½" x 116"	184 x 295	137"	348
87" x 139"	221 x 353	164"	417
100" x 160"	254 x 406	189"	480
110" x 176"	279 x 447	208"	528
120" x 192"	305 x 488	226"	574

## 4:3 Video Format

Viewing Area (H x W)		Nominal Diagonal	
in.	cm	in.	cm
43" x 57"	109 x 145	72"	183
50" x 67"	127 x 170	84"	213
60" x 80"	152 x 203	100"	254
69" x 92"	175 x 234	120"	305
87" x 116"	221 x 295	150"	381
108" x 144"	274 x 366	180"	457
120" x 160"	305 x 406	200"	508
126" x 176"	320 x 427	210"	533
132" x 176"	335 x 447	220"	559
144" x 192"	366 x 488	240"	610
162" x 216"	411 x 549	270"	686

## Available with the Following Screen Surfaces

### Front Projection



**Parallax Pure 0.8\***  
Horizontal Half Angle: 85°  
Vertical Half Angle: 17°  
Gain: 0.8



**Parallax Stratos 1.0**  
Horizontal Half Angle: 30°  
Vertical Half Angle: 30°  
Gain: 1.0



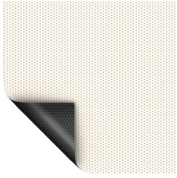
**HD Progressive 0.6**  
Half Angle: 85° Gain: 0.6



**HD Progressive 0.9**  
Half Angle: 85° Gain: 0.9



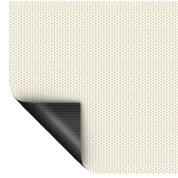
**HD Progressive 1.1**  
Half Angle: 85° Gain: 1.1



**HD Progressive 1.1 Perf**  
Half Angle: 85° Gain: 1.1



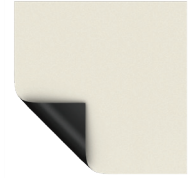
**HD Progressive 1.1 Contrast**  
Half Angle: 60° Gain: 1.1



**HD Progressive 1.1 Contrast Perf**  
Half Angle: 60° Gain: 1.1



**HD Progressive 1.3**  
Half Angle: 75° Gain: 1.3



**Da-Mat®**  
Half Angle: 60° Gain: 1.0

### Rear Projection



**Dual Vision**  
Half Angle: 65° Gain: 0.9



**Da-Tex®**  
Half Angle: 30° Gain: 1.3

\*NOTE: The Tensioned Advantage Series with Parallax Pure will look visibly different when compared to Da-Lite vinyl screen surfaces due to the unique micro-layered, high-grade lens system of Parallax Pure. While it may exhibit slight waves, it is optically flat under projection, and the waves will not be visible.

- Parallax Pure 0.8 surface for standard throw projectors (1.5:1 or greater)
- Parallax Stratos 1.0 surface for standard throw projectors (1.0:1 or greater)

## Product Images



Case Profile



Case Profile - Sizes Over 14' W



In Ceiling (Closed)

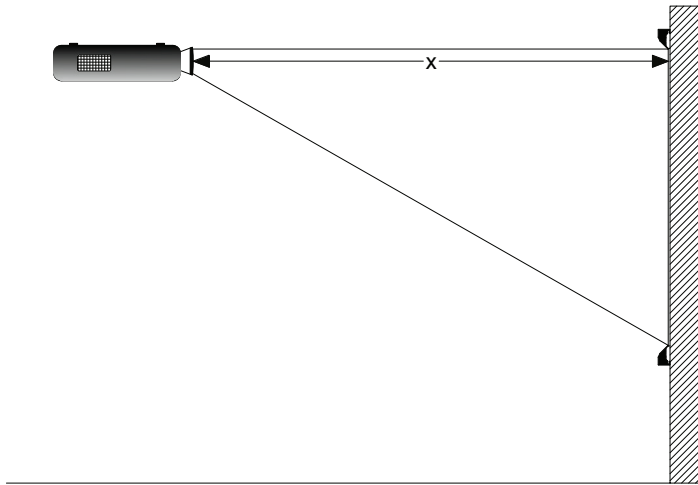


In Ceiling (Open)

## Parallax Projector Placement

The examples below are for a ceiling mounted projector, but can be reversed for a table-top projector.

**Projector Distance (for Parallax 0.8 and Parallax Stratos 1.0)** Parallax Pure 0.8 requires a minimum Lens Throw Ratio of 1.5:1.



Parallax Stratos 1.0 requires a standard throw lens throw ratio of 1.0:1 or greater.

How to calculate Projection Distance (x):

$$\text{Screen Width (viewable)} \times \text{Lens Throw Ratio} = \text{Projection Distance}$$

**Example:**

$$\frac{180'' \text{ projection distance}}{96'' \text{ wide screen}} = 1.88 \text{ (1.88:1 Lens Throw Ratio)}$$

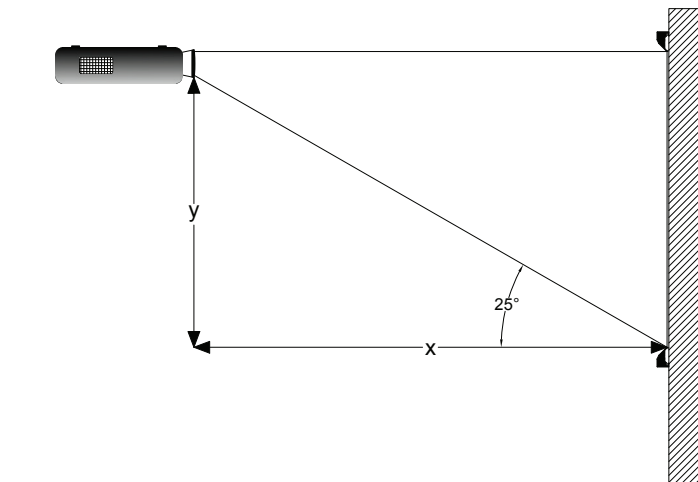
How to calculate Lens Throw Ratio:

$$\frac{\text{Projection Distance}}{\text{Screen Width (viewable)}} = \text{Lens Throw Ratio}$$

**Example:**

$$87'' \text{ wide screen} \times 1.5 \text{ (minimum lens throw ratio)} = 130.5 \text{ (130.5'' projection distance)}$$

**Projection Angle (for Parallax Pure 0.8)**



If the Projection Distance (x) is known, find the Maximum Vertical Offset:

$$\text{Maximum Vertical Offset (y)} = 0.4 \times \text{Projection Distance (x)}$$

**Example:**

$$\begin{aligned} \text{Projection Distance (x)} &= 130.5'' \\ 52.2 &= 0.4 \times 130.5 \\ 52.2 &= \text{Maximum Vertical Offset} \end{aligned}$$

If the Vertical Offset (y) is known, find the Minimum Projection Distance:

$$\text{Minimum Projection Distance (x)} = 2.5 \times \text{Vertical Offset (y)}$$

**Example:**

$$\begin{aligned} 87'' \text{ wide screen with a } 60'' \text{ Vertical Offset (y)} \\ 150'' &= 2.5 \times 60'' \\ 150'' &= \text{Minimum Projection Distance} \end{aligned}$$



FOR YOUR IMAGE | legrandav.com

**USA** P 866.977.3901 E av.da-lite.support@legrand.com  
**CANADA** P 877.345.4329 E av.da-lite.support@legrand.com  
**EMEA** P +31 495 580 840 E av.emea.sales@legrand.com  
**APAC** P +852 2145 4099 E av.asia.sales@legrand.com

©2020 Legrand AV Inc. 200010 1/20 Da-Lite is a registered trademark of Legrand AV Inc. All other brand names or marks are used for identification purposes and are trademarks of their respective owners. All patents are protected under existing designations. Other patents pending.



**COMMERCIAL BRANDS**

Chief | Da-Lite | Luxul | Middle Atlantic | Projecta | Vaddio