

Slimline® Electrol®

Automatic Electric Projection Screen Model



SPECIFICATION DATA

SUGGESTED SPECIFICATIONS: _____ projection screen(s), _____ (H) x _____ (W), electrically operated 120 volt (60 HZ) not more than 1.2 amp. Shall have specially designed motor mounted inside the roller to be three wire with ground quick reversal type, oiled for life, with automatic thermal overload cut-out, integral gears, capacitor and an electric brake to prevent coasting. To have preset but adjustable limit switches to automatically stop picture surface in the "up" and "down" positions. The roller to be of rigid metal. Screen fabric to be flame retardant and mildew resistant fiberglass with black

masking borders. Bottom of fabric shall be formed into a pocket holding a metal rod. Ends of the slat shall be protected by plastic outer caps. Case to be powder coated white 22 gauge steel, 2 3/4" in width, octagon in shape with flat back design. Case with sturdy brackets for wall or ceiling installation. To be complete with control cable with operating switch built into line and power cable (2 wire plus ground) from switch to 3-prong plug. Screen to be listed by Underwriters' Laboratories.



HDTV (16:9) Format Dimensions (2" Standard Black Drop At Top)

Viewing Area (H x W)		Nominal Diagonal		A - Overall Length of Case		B - Between Hanger Eyes		Approx. Ship. Wt.	
In.	Cm	In.	Cm	In.	Cm	In.	Cm	Lbs.	Kg
45" x 80"	114 x 203	92"	234	89 1/4"	227	88 1/2"	225	26	11.8

Video (NTSC 4:3) Format Dimensions (2" Standard Black Drop At Top)

Viewing Area (H x W)		Nominal Diagonal		A - Overall Length of Case		B - Between Hanger Eyes		Approx. Ship. Wt.	
In.	Cm	In.	Cm	In.	Cm	In.	Cm	Lbs.	Kg
43" x 57"	109 x 145	72"	183	65 1/4"	166	64 1/2"	164	22	10.0
50" x 67"	127 x 170	84"	213	75 1/4"	191	74 1/2"	189	24	10.9
60" x 80"	152 x 203	100"	254	89 1/4"	227	88 1/2"	225	26	11.8
69" x 92"	175 x 234	120"	305	101 1/4"	257	100 1/2"	255	29	13.2

Square Format Dimensions

Sizes (H x W)		A - Overall Length of Case		B - Between Hanger Eyes		Approx. Ship. Wt.	
In.	Cm	In.	Cm	In.	Cm	Lbs.	Kg
60" x 60"	152 x 152	65 1/4"	166	64 1/2"	164	22	10.0
70" x 70"	178 x 178	75 1/4"	191	74 1/2"	189	24	10.9

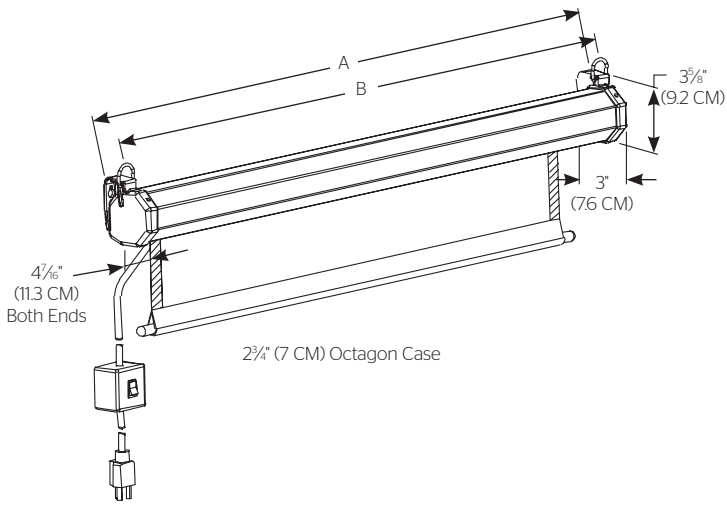
PRODUCT NOTES

- All viewing surfaces will be seamless.
- Specifications are subject to change without notice.

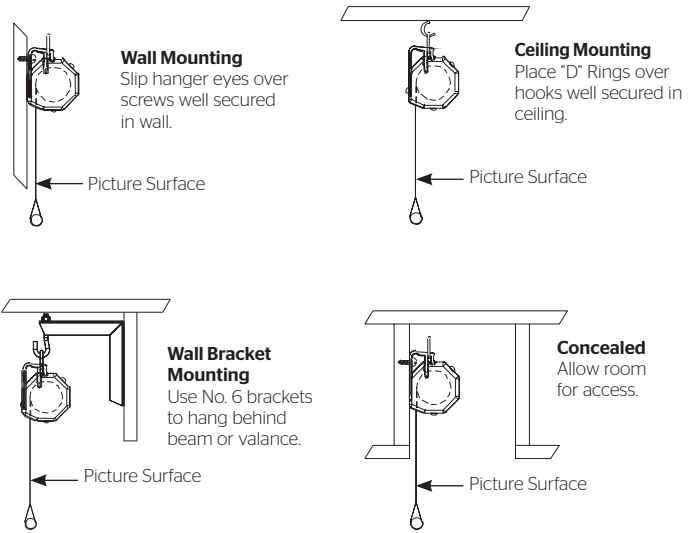
WHEN ORDERING, MARK APPROPRIATE SELECTIONS:

- Select size from charts on the other side.
- Select viewing surface (All Da-Lite surfaces are GREENGUARD GOLD Certified.):
 - Matte White
- Optional accessories:
 - No. 6 Non-adjustable Extension Brackets (140# per pair maximum) (black or white).
 - No. 11 Non-adjustable Extension Brackets (75# per pair maximum) (black or white).
 - 220V (50 HZ Motor).
 - No Borders (Black Masking Borders standard).
 - Black case (white standard).

PRODUCT VIEWS



SUGGESTED METHOD OF INSTALLATION



A BRAND OF MILESTONE AV TECHNOLOGIES

www.milestone.com

P 800.622.3737 / 574.267.8101

F 877.325.4832 / 574.267.7804

E info@da-lite.com

In British Columbia, Milestone AV Technologies ULC carries on business as MAVT Milestone AV Technologies ULC.

©2017 Milestone AV Technologies. DL-0238 (Rev.1) 0717.
Da-Lite is a registered trademarks of Milestone AV Technologies. All other brand names or marks are used for identification purposes and are trademarks of their respective owners. All patents are protected under existing designations. Other patents pending.

Project Name:	_____
Architect:	_____
Contractor:	_____ Phone: _____
Reseller:	_____ Phone: _____