

---

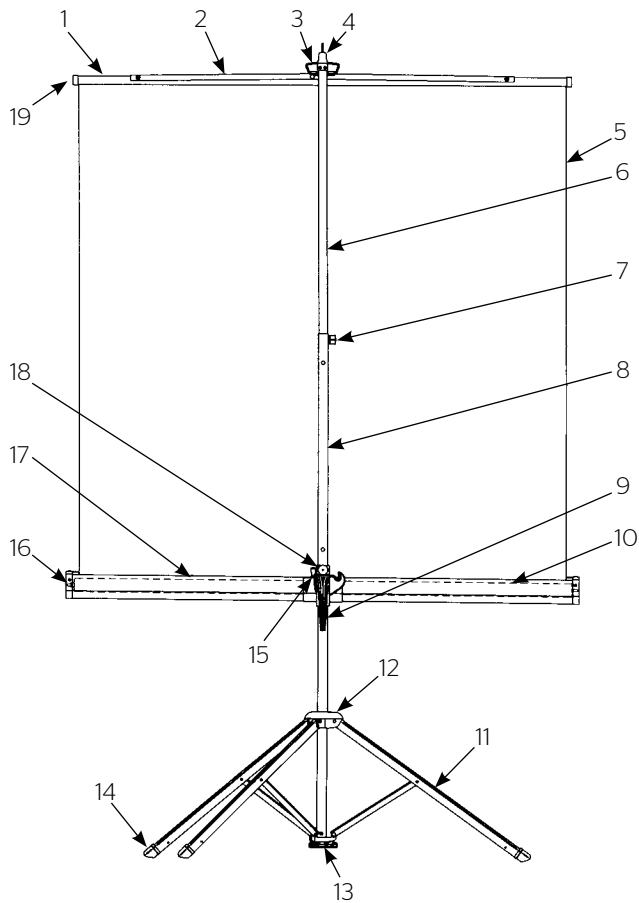
INSTRUCTION BOOK FOR  
Picture King®

---

**DA-LITE®**

## Important Parts Of Your Da-Lite Screen

(When ordering parts, please specify screen model and size.)



- |                       |                               |
|-----------------------|-------------------------------|
| 1) Slat               | 12) Leg Bracket               |
| 2) Saddle             | 13) Toe Release & Leg Lock    |
| 3) Pull Bail          | 14) Leg Shoes                 |
| 4) Hanger Hook        | 15) Fabric Tension Lock Lever |
| 5) Picture Surface    | 16) End Cap                   |
| 6) Extension Tube     | 17) Screen Case               |
| 7) Black Locking Knob | 18) Black Locking Knob        |
| 8) Bottom Tube        | 19) Slat Caps                 |
| 9) Handle             |                               |
| 10) Roller            |                               |
| 11) Tripod            |                               |

## Setting Up Your Screen

1. Hold screen vertically with tripod just above floor. With toe, press straight down on toe release plate. Tripod legs will glide open.
2. Pull out Black Locking Knob at top of bottom tube.
3. Raise extension tube to first position, and then swing case to horizontal position.
4. Raise screen surface and pull bail over hanger. If Keystone Eliminator is to be used, (1) simply grasp the knurled tip which protrudes slightly above the hanger; (2) pull straight up; (3) then lay in a horizontal position over the hanger, and place the pull bail on it.
5. Release Black Locking Knob and fabric tension lock lever on handle.
6. Holding extension tube with one hand and releasing Black Locking Knob with other, raise extension tube to desired position.
7. The case position may be changed by pulling out the Black Locking Knob located on the handle.
8. When case at desired position, lock into place by pressing down on the fabric tension lock lever.

## Using Screen In Lowest Position

Follow steps 1 through 3 above.

- a. Raise locking lever on left side of handle.
- b. Release black knob and lower case.
- c. Holding bottom tube, raise extension tube until it locks into desired position.

## Closing The Screen

---

1. Return screen case to original central position on center tube.
2. Hold extension tube firmly. Pull out top Black Locking Knob and lower extension tube to bottom position.
3. Unhook screen pull bail and complete re-rolling fabric into case.
4. If Keystone Eliminator has been used, simply raise it to a perpendicular position and push it back into the extension tube.
5. Swing case to vertical position. Note that fabric locks in.
6. Set tab on hanger in opening of case end cap. As extension tube locks, the case also is locked.
7. Place tip of middle finger of right hand in depression beneath leg bracket. Lift leg bracket sharply, at the same time applying a slight lift to entire unit with left hand. **NOTE** that legs are closed and locked, hanger, and extension tube and case are locked and surface is locked to provide for safe and comfortable carrying and storing.

## Protect Your Screen

---

Before re-rolling surface into case, examine both front and back of surface to be sure they are free of foreign matter. A Da-Lite Screen carrying case is a wise and economical investment.

### **IMPORTANT NOTE:**

Use no more tilt than necessary. Use caution in tensioning screen surface when using Keystone Eliminator. Don't over-tension!

## **LIMITED ONE YEAR WARRANTY ON DA-LITE PRESENTATION PRODUCTS**

Milestone AV Technologies LLC warrants certain Da-Lite branded products to the original purchaser only, to be free from defects in materials and workmanship for a period of one (1) year from the date of purchase by the original purchaser; provided they are properly operated according to Da-Lite's instructions and are not damaged due to improper handling or treatment after shipment from the factory.

This warranty does not apply to equipment showing evidence of misuse, abuse or accidental damage, or which has been tampered with or repaired by a person other than authorized Da-Lite personnel.

Da-Lite's sole obligation under this warranty shall be to repair or to replace (at Da-Lite's option) the defective part of the merchandise. Returns for service should be made to your Da-Lite dealer. If it is necessary for the dealer to return the screen or part to Da-Lite, transportation expenses to and from Da-Lite are payable by the purchaser and Da-Lite is not responsible for damage in shipment. To protect yourself against damage or loss in transit, insure the product and prepay all transportation expenses.

**TO THE MAXIMUM EXTENT PERMITTED BY APPLICABLE LAW, THIS WARRANTY IS IN LIEU OF ALL OTHER WARRANTIES, EXPRESS OR IMPLIED, INCLUDING WARRANTIES AS TO FITNESS FOR USE AND MERCHANTABILITY.** Any implied warranties of fitness for use, or merchantability, that may be mandated by statute or rule of law are limited to the one (1) year warranty period. This warranty gives you specific legal rights, and you may also have other rights, which vary from state-to-state. **TO THE MAXIMUM EXTENT PERMITTED BY APPLICABLE LAW, NO LIABILITY IS ASSUMED FOR EXPENSES OR DAMAGES RESULTING FROM INTERRUPTION IN OPERATION OF EQUIPMENT, OR FOR INCIDENTAL, DIRECT, OR CONSEQUENTIAL DAMAGES OF ANY NATURE.**

In the event that there is a defect in materials or workmanship of a Da-Lite product, you may contact our Sales Partners at PO Box 137, Warsaw, IN 46581-0137, (574) 267-8101, (800) 622-3737.

**IMPORTANT: THIS WARRANTY SHALL NOT BE VALID AND DA-LITE BRANDED PRODUCTS SHALL NOT BE BOUND BY THIS WARRANTY IF THE PRODUCT IS NOT OPERATED IN ACCORDANCE WITH THE DA-LITE WRITTEN INSTRUCTIONS.**

Keep your sales receipt to prove the date of purchase and your original ownership.



A Milestone AV Technologies Brand

3100 North Detroit Street  
Warsaw, Indiana 46582  
P: 574.267.8101 or 800.622.3737  
F: 574.267.7804 or 877.325.4832  
E: info@da-lite.com  
www.da-lite.com

DL-0253 01.14

© 2013 Milestone AV Technologies LLC. Printed in U.S.A.

46425