

Parallax Thin

Parallax™ Thin ships already assembled with a thin-bezeled frame. The ambient light-rejecting technology features a micro-layered optical lens system that rejects light. This new technology mimics the look of a television when it is on and when it is off, but without the glare from windows or lighting fixtures.

With extremely wide viewing angles, no speckle and no glare, the surface is ideal for applications in Pro AV as well as Home Theater.

Each layer of Parallax plays a role in preserving the image that is reflected back to the viewer in high ambient light environments. Some layers absorb light while one special layer is shaped like a microscopic saw-tooth that blocks light from above resulting in the preservation of high-contrast, bright images in brightly lit environments.

Features

- Parallax 2.3 surface for standard throw projectors (1.8:1 throw or greater)
- Parallax 0.8 surface for standard throw projectors (1.5:1 or greater)
- Parallax UST 0.45 surface for ultra short-throw projectors (0.4:1 throw or less)
- See the Product Information sheet for projector placement.
- Thin 3/8" bezel aluminum frame
- 1" depth
- Ships fully assembled
- Compatible with the Chief XSM1U Wall Display Mount, XCM1U Single Pole Ceiling Mount and XCM7000 Dual Pole Ceiling Mount

Optional Accessories:

- Chief XSM1U Wall Display Mount
- Chief XCM1U Single Pole Ceiling Mount
- Chief XCM7000 Dual Pole Ceiling Mount



16:9 HDTV Format

Viewing Area (H x W)		Nominal Diagonal		Overall Dimensions	
in.	cm	in.	cm	in.	cm
45" x 80"	114 x 203	92"	234	45¾" x 80¾"	116 x 205
49" x 87"	124 x 221	100"	254	49¾" x 87¾"	126 x 223
52" x 92"	132 x 234	106"	269	52¾" x 92¾"	134 x 236
54" x 96"	137 x 244	110"	279	54¾" x 96¾"	139 x 246
59" x 104½"	150 x 265	120"	305	59¾" x 105¼"	152 x 267

16:10 Wide Format

Viewing Area (H x W)		Nominal Diagonal		Overall Dimensions	
in.	cm	in.	cm	in.	cm
50" x 80"	127 x 203	94"	239	50¾" x 80¾"	129 x 205
57½" x 92"	146 x 234	109"	277	58¾" x 92¾"	148 x 236

Available with the Following Screen Surfaces



Parallax 2.3
Horizontal Half Angle: 23°
Vertical Half Angle: 15°
Gain: 2.3



Parallax 0.8
Horizontal Half Angle: 85°
Vertical Half Angle: 17°
Gain: 0.8



Parallax UST 0.45
Horizontal Half Angle: 80°
Vertical Half Angle: 55°
Gain: 0.45

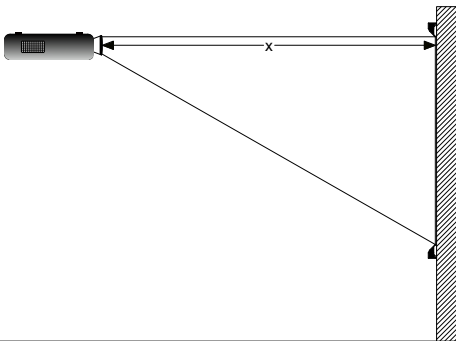
Parallax UST 0.45 Projector Placement

The Ultra Short Throw projector must be mounted below the screen for the projected light to be reflected by the screen surface.

Parallax 2.3 and 0.8 Projector Placement

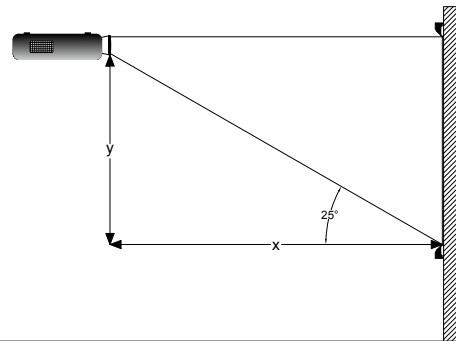
The examples below are for a ceiling mounted projector, but can be reversed for a table-top projector.

Projector Distance



- Parallax 2.3 requires a minimum Lens Throw Ratio of 1.8:1
- Parallax 0.8 requires a minimum Lens Throw Ratio of 1.5:1
- How to calculate Projection Distance (x):
Projection Distance = Screen Width (viewable) x Lens Throw Ratio
Example:
180" projection distance ÷ 96" wide screen = 1.88 (1.88:1 Lens Throw Ratio)
- How to calculate Lens Throw Ratio:
Lens Throw Ratio = Projection Distance ÷ Screen Width (viewable)
Example:
87" wide screen x 1.5 (Parallax 0.8 minimum lens throw ratio) = 130.5 (130.5" projection distance)

Projection Angle



- If the Projection Distance (x) is known, find the Maximum Vertical Offset:
Maximum Vertical Offset (y) = 0.4 x Projection Distance (x)
Example:
Projection Distance (x) = 130.5"
130.5" x 0.4 = 52.2"
52.2" = Maximum Vertical Offset
- If the Vertical Offset (y) is known, find the Minimum Projection Distance:
Minimum Projection Distance (x) = 2.5 x Vertical Offset (y)
Example:
87" wide screen with a 60" Vertical Offset (y)
60" x 2.5 = 150"
150" = Minimum Projection Distance



FOR YOUR IMAGE | legrandav.com

USA P 866.977.3901 E info@da-lite.com
CANADA P 877.345.4329 E canadainfo@milestone.com
EMEA P +31 495 580 840 E emea.sales@milestone.com
APAC P +852 2145 4099 E asia.da-lite@milestone.com

In British Columbia, Milestone AV Technologies ULC carries on business as MAVT Milestone AV Technologies ULC.
©2018 Milestone AV Technologies. DL-0638 (Rev. 2) 8/18 Da-Lite is a registered trademark of Milestone AV Technologies. All other brand names or marks are used for identification purposes and are trademarks of their respective owners. All patents are protected under existing designations. Other patents pending.

A brand of **legrand**

MILESTONE IS NOW LEGRAND
Commercial AV Brands Chief | Da-Lite | Middle Atlantic | Projecta | Vaddio