

SUGGESTED SPECIFICATIONS: _____ projection screen(s), _____(H) x _____(W), To have flexible screen surface, fire retardant and mildew resistant. Wraparound fixed frame projection screen; with standard steel mounting brackets for wall mounting, or ceiling suspension. The screen surface wraps completely around to the back of the frame, so there is no border around the projected area. The screen has an overall assembled depth

of 1 $\frac{1}{16}$ " (30 mm). The screen is shipped disassembled and can be assembled by joining the aluminum extruded frame pieces using steel corner brackets, which are secured by setscrews using a supplied Allen wrench. The screen surface is then attached by joining loop Velcro on the fabric to the hook Velcro on the frame.

HDTV (16:9) Format Dimensions

| Viewing Area / Overall Dimensions (H x W) | | Nominal Diagonal | | Actual Weight | | Approx. Ship. Wt. | |
|---|-----------|------------------|-----|---------------|------|-------------------|------|
| In. | Cm | In. | Cm | Lbs. | Kg | Lbs. | Kg |
| 40 $\frac{1}{2}$ " x 72" | 103 x 183 | 82" | 208 | 18 | 8.2 | 20 | 9.1 |
| 45" x 80" | 114 x 203 | 92" | 234 | 22 | 10.0 | 25 | 11.3 |
| 49" x 87" | 124 x 221 | 100" | 254 | 25 | 11.3 | 29 | 13.2 |
| 52" x 92" | 132 x 234 | 106" | 269 | 28 | 12.7 | 33 | 15.0 |
| 54" x 96" | 137 x 244 | 110" | 279 | 30 | 13.6 | 35 | 15.9 |
| 58" x 104" | 147 x 264 | 119" | 302 | 35 | 15.9 | 41 | 18.6 |
| 65" x 116" | 165 x 295 | 133" | 338 | 45 | 20.4 | 53 | 24.0 |
| 78" x 139" | 198 x 353 | 159" | 404 | 52 | 23.6 | 60 | 27.2 |
| 94 $\frac{1}{2}$ " x 168" | 240 x 427 | 193" | 490 | 66 | 29.9 | 75 | 34.0 |
| 108" x 192" | 274 x 488 | 220" | 559 | 80 | 36.3 | 87 | 39.5 |

Wide (16:10) Format Dimensions

| Viewing Area / Overall Dimensions (H x W) | | Nominal Diagonal | | Actual Weight | | Approx. Ship. Wt. | |
|---|-----------|------------------|-----|---------------|------|-------------------|------|
| In. | Cm | In. | Cm | Lbs. | Kg | Lbs. | Kg |
| 50" x 80" | 127 x 203 | 94" | 239 | 22 | 10.0 | 25 | 11.3 |
| 57 $\frac{1}{2}$ " x 92" | 146 x 234 | 109" | 277 | 30 | 13.6 | 35 | 15.9 |
| 60" x 96" | 152 x 244 | 113" | 287 | 31 | 14.1 | 36 | 16.3 |
| 65" x 104" | 165 x 264 | 123" | 312 | 37 | 16.8 | 43 | 19.5 |
| 69" x 110" | 175 x 279 | 130" | 330 | 42 | 19.1 | 50 | 22.7 |
| 72 $\frac{1}{2}$ " x 116" | 184 x 295 | 137" | 348 | 47 | 21.3 | 55 | 24.9 |
| 87" x 139" | 221 x 353 | 164" | 417 | 53 | 24.0 | 61 | 27.7 |
| 100" x 160" | 254 x 406 | 189" | 480 | 64 | 29.0 | 73 | 33.1 |
| 110" x 176" | 249 x 447 | 208" | 528 | 75 | 34.0 | 83 | 37.6 |
| 120" x 192" | 305 x 488 | 226" | 574 | 86 | 39.0 | 96 | 43.5 |

PRODUCT NOTES

- Overall dimensions +/- 1/4".
- Custom formats and sizes available upon request.
- Specifications subject to change without notice.
- Provided mounting brackets can be oriented for wall mounting or ceiling suspension.

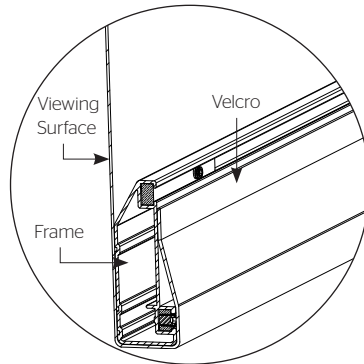
SURFACE INFORMATION

- All HD Progressive surfaces are seamless up to 16' high.
- All viewing surfaces are standard with black backing.

WHEN ORDERING, MARK APPROPRIATE SELECTIONS

1. Select Size from Charts.
2. Select viewing surface (All Da-Lite surfaces are GREENGUARD GOLD Certified.):
 - HD Progressive 0.6
 - HD Progressive 0.9
 - HD Progressive 1.1
 - HD Progressive 1.1 Contrast
 - HD Progressive 1.3

PRODUCT VIEW



Viewing Surface & Frame Detail



A BRAND OF MILESTONE AV TECHNOLOGIES

www.milestone.com

P 800.622.3737 / 574.267.8101

F 877.325.4832 / 574.267.7804

E info@da-lite.com

In British Columbia, Milestone AV Technologies ULC carries on business as MAVT Milestone AV Technologies ULC.

©2018 Milestone AV Technologies. DL-0727 (Rev. 0) 0318.
Da-Lite is a registered trademarks of Milestone AV Technologies. All other brand names or marks are used for identification purposes and are trademarks of their respective owners. All patents are protected under existing designations. Other patents pending.

| |
|--------------------------------|
| Project Name: _____ |
| Architect: _____ |
| Contractor: _____ Phone: _____ |
| Reseller: _____ Phone: _____ |