



INSTRUCTION BOOK FOR
Cinema Contour[®] Screen



Included Hardware



Large Wall Bracket (47" Long)
Installation screws not included

Quantities vary by screen size:
 Screens 80" and smaller viewing width = 1
 Screens over 80" to 96" viewing width = 2
 Screens over 96" viewing width = 3

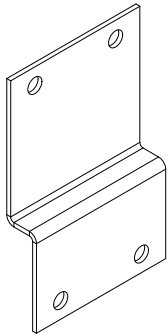
Quantity Included _____



Small Wall Bracket (8" Long)
Installation screws not included

Quantity = 1. Only for screens 80" and smaller viewing width.

Quantity Included _____



Side Frame Bracket

Screens with 2-piece side frame rails quantity = 2
 Custom large sizes only

Quantity Included _____



Snap Stud

Quantity Included _____



#10 Screw

Quantity Included _____

Use Installation Method Number _____

Frame Assembly

1. Unwrap the frame pieces. Assemble frame pieces on padding material or other soft, clean surface. This will help keep the frame clean and protect it from scratches.
2. Slide the frame pieces together at corners (Note: Frame assembly holes may not appear to fit properly at the corners until all fasteners have been attached. Once fasteners are attached, the frame corners will be drawn in for a proper fit.) Secure frame pieces with #10 screws provided. Do not tighten screws until all are started, then tighten. See Figure 1.
NOTE: The frame pieces are labeled "top" and "bottom". Be sure the frame pieces are assembled according to the labels. This will ensure the snap pattern on the frame and screen surface will match.
3. Attach the eight snap studs to the back of the frame in the predrilled holes.

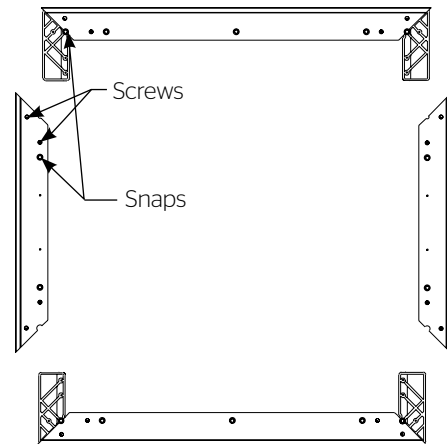


Figure 1 (Rear View)

Installation

There are four methods of installation based on the size of the screen and type of viewing surface. Measure the width of the viewing area of your screen and refer to the appropriate method of installation below. The wall bracket diagram shows the type and quantity of bracket(s) supplied based on the size of the screen.

Method 1: Screens 80" and smaller in viewing width.

Method 2: Screens over 80" up to 96" in viewing width.

Method 3: Screens over 96" in viewing width.

Method 1 (Screens 80" And Smaller In Viewing Width)

1. Secure the wall bracket to wall studs at the desired height. Make sure the bracket is level. The top of the frame will be 1/8" above the top of the wall bracket when mounted. You will need at least 5/8" clearance above the bracket to hang the screen. Figures 2, 3, and 4 show the proper orientation for the supplied wall brackets.

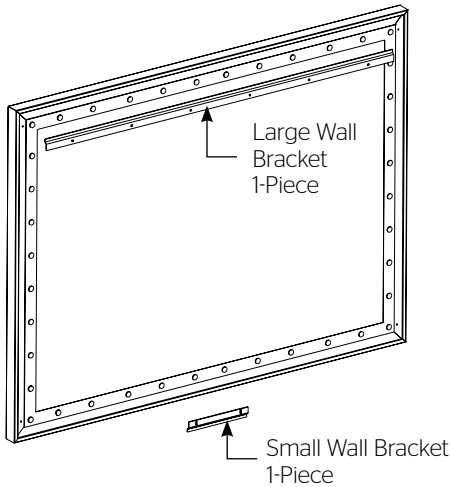


Figure 2

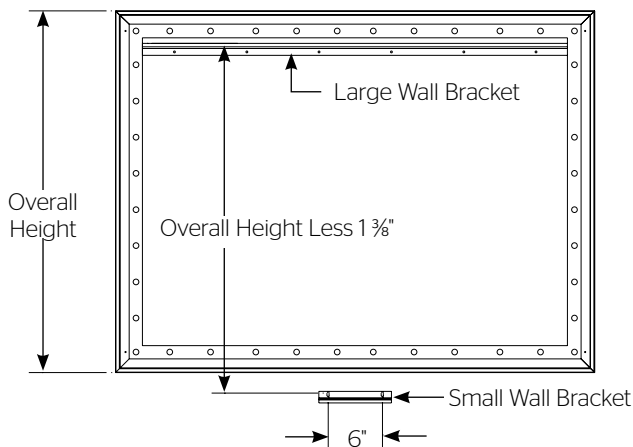


Figure 3

Method 1 (Screens 80" And Smaller In Viewing Width)

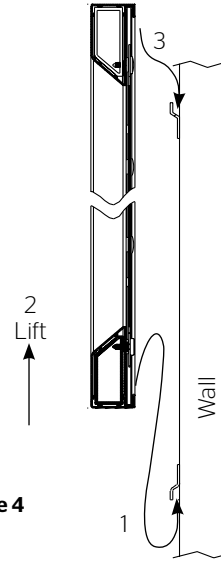


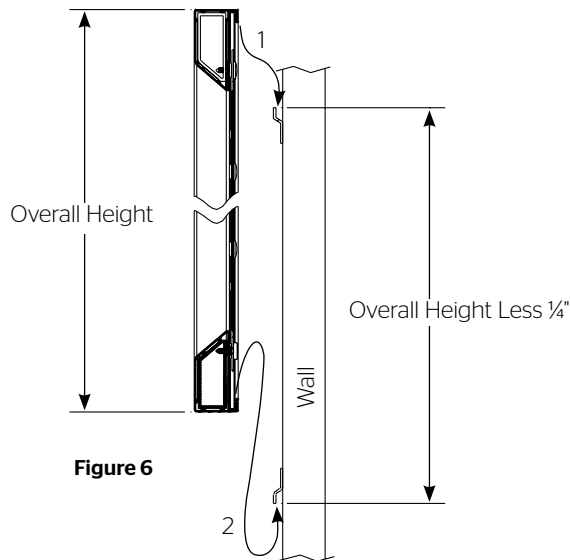
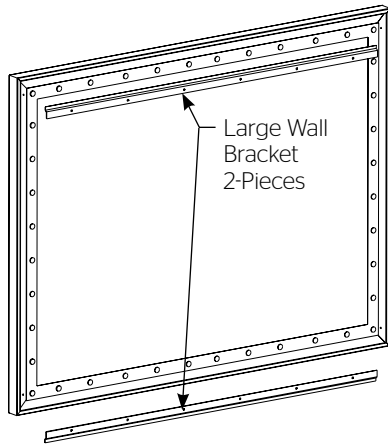
Figure 4

2. To install the lower wall bracket, you must measure the overall height of the screen frame and subtract 1-3/8". Using that dimension, measure down from the top edge of the wall bracket and mark the wall for two screw holes. The holes should be centered within the frame and 6" apart. Refer to Figure 3.
3. Attach the small wall bracket to the wall. Refer to Figure 4 for proper orientation. Do not tighten the screws completely. The bracket should slide up and down easily.
4. Unroll the screen on a clean surface. Do not use newspaper. The viewing side is rolled to the inside of the roll. Place the frame over the screen surface, and while lifting the frame with one hand, snap the screen surface onto the frame with the other hand while maintaining a steady pull on the surface.
5. Hang the screen on the brackets by hooking the bottom of the frame onto the lower wall bracket and lift up until you can hook the top of the frame on the top bracket. Push down on the frame to seat it on the brackets. Refer to Figure 4.

Method 2 (Screens Over 80" Up To 96" In Viewing Width)

1. Secure the wall bracket to wall studs at the desired height. Make sure the bracket is level. The top of the frame will be 1/8" above the top of the wall bracket when mounted. You will need at least 5/8" clearance above the bracket to hang the screen. Figure 5 and 6 show the proper orientation for the supplied wall brackets.

Figure 5



2. To install the bottom large wall bracket, you must measure the overall height of the screen frame and subtract 1/4". This is the dimension from the top of the upper wall bracket to the bottom of the bottom wall bracket. See Figure 6.
3. Unroll the screen on a clean surface. Do not use newspaper. The viewing side is rolled to the inside of the roll. Place the frame over the screen surface, and while lifting the frame with one hand, snap the screen surface onto the frame with the other hand while maintaining a steady pull on the surface.
4. Position the screen with the attached surface onto the top wall bracket as shown in Figure 6. Push down at the center of the bottom frame rail to hook onto the lower wall bracket.

Method 3 (Screens Over 96" In Viewing Width)

1. Secure the wall brackets to wall studs at the desired height. Make sure the brackets are level. The top of the frame will be 1/8" above the top of the wall bracket when mounted. You will need at least 5/8" clearance above the bracket to hang the screen. Figure 6 and 7 show the proper orientation for the supplied wall brackets.

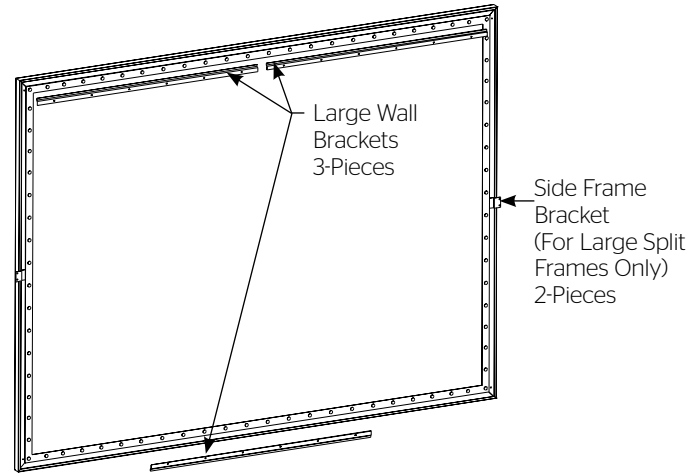


Figure 7

2. To install the bottom large wall bracket, you must measure the overall height of the screen frame and subtract 1/4". This is the dimension from the top of the upper wall bracket to the bottom of the lower wall bracket. See Figure 6.
3. For custom large screen sizes with 2-piece side frame rails, you will need to attach one Side Frame bracket to each side at the joint. Use the black #10 screws supplied. See Figure 7.
4. Unroll the screen on a clean surface. Do not use newspaper. The viewing side is rolled to the inside of the roll. Place the frame over the screen surface, and while lifting the frame with one hand, snap the screen surface onto the frame with the other hand while maintaining a steady pull on the surface.
5. Position the screen with the attached surface onto the top wall bracket as shown in Figure 6. Push down at the center of the bottom frame rail to hook onto the lower wall bracket.
6. If you attached brackets to the side frame rails in step 3, anchor these to the wall with an appropriate fastener for your type of wall.

Conditions for Transportation and Storage

- Temperature: Between 40 - 100°F (5 - 40°C)
- Relative Humidity: 30% to 70%, non-condensing
- Always keep the projection screen horizontal during transport and storage
- Make sure the entire package is supported when stored
- Do not stack more than six projection screens on top of each other
- Make sure the heaviest package is placed at the bottom of the stack

Cleaning

All standard surfaces can be cleaned as follows:

Using a white clean cloth (100% cotton preferred) that is dampened with clear water, gently wipe the area in one direction. Do not use a circular motion. Using a dry 100% cotton cloth, wipe dry after each cleaning session. To clean a stubborn stain or a sticky surface, use denatured alcohol (methanol or methyl alcohol) following the same procedure as for water.

LIMITED FIVE YEAR WARRANTY ON DA-LITE PRESENTATION PRODUCTS

Milestone AV Technologies LLC warrants certain Da-Lite branded products to the original purchaser only, to be free from defects in materials and workmanship for a period of five (5) years from the date of purchase by the original purchaser; provided they are properly operated according to Da-Lite's instructions and are not damaged due to improper handling or treatment after shipment from the factory.

This warranty does not apply to equipment showing evidence of misuse, abuse or accidental damage, or which has been tampered with or repaired by a person other than authorized Da-Lite personnel.

Da-Lite's sole obligation under this warranty shall be to repair or to replace (at Da-Lite's option) the defective part of the merchandise. Returns for service should be made to your Da-Lite dealer. If it is necessary for the dealer to return the screen or part to Da-Lite, transportation expenses to and from Da-Lite are payable by the purchaser and Da-Lite is not responsible for damage in shipment. To protect yourself against damage or loss in transit, insure the product and prepay all transportation expenses.

TO THE MAXIMUM EXTENT PERMITTED BY APPLICABLE LAW, THIS WARRANTY IS IN LIEU OF ALL OTHER WARRANTIES, EXPRESS OR IMPLIED, INCLUDING WARRANTIES AS TO FITNESS FOR USE AND MERCHANTABILITY. Any implied warranties of fitness for use, or merchantability, that may be mandated by statute or rule of law are limited to the five (5) year warranty period. This warranty gives you specific legal rights, and you may also have other rights, which vary from state-to-state. **TO THE MAXIMUM EXTENT PERMITTED BY APPLICABLE LAW, NO LIABILITY IS ASSUMED FOR EXPENSES OR DAMAGES RESULTING FROM INTERRUPTION IN OPERATION OF EQUIPMENT, OR FOR INCIDENTAL, DIRECT, OR CONSEQUENTIAL DAMAGES OF ANY NATURE.**

In the event that there is a defect in materials or workmanship of a Da-Lite product, you may contact our Customer Care Specialists at 3100 North Detroit Street, Warsaw, IN 46582, (574) 267-8101, (800) 622-3737.

IMPORTANT: THIS WARRANTY SHALL NOT BE VALID AND DA-LITE BRANDED PRODUCTS SHALL NOT BE BOUND BY THIS WARRANTY IF THE PRODUCT IS NOT OPERATED IN ACCORDANCE WITH THE DA-LITE WRITTEN INSTRUCTIONS.

Keep your sales receipt to prove the date of purchase and your original ownership.



FOR YOUR IMAGE | legrandav.com

USA P 866.977.3901 E info@da-lite.com
CANADA P 877.345.4329 E canadainfo@milestone.com
EMEA P +31 495 580 840 E emea.sales@milestone.com
APAC P +852 2145 4099 E asia.da-lite@milestone.com

In British Columbia, Milestone AV Technologies ULC carries on business as MAVT Milestone AV Technologies ULC.
©2018 Milestone AV Technologies. DL-0283 (Rev. 2) 7/18 Da-Lite is a registered trademark of Milestone AV Technologies. All other brand names or marks are used for identification purposes and are trademarks of their respective owners. All patents are protected under existing designations. Other patents pending.