

DA-LITE[®]
A brand of  legrand

Advantage[®] Series

SPECIFICATION DATA

TABLE OF CONTENTS

- 3** Advantage® (With Closure Door)
Previously Named: Advantage Deluxe Electrol

- 5** Advantage
Previously Named: Advantage Electrol

- 7** Advantage with SightLine™

- 9** Advantage (Over 14' W with Closure Door)
Previously Named: Large Advantage Deluxe Electrol

- 11** Advantage (Over 16' W)
Previously Named: Large Advantage Electrol

Advantage® (With Closure Door)

Previously Named: Advantage Deluxe Electrol

SUGGESTED SPECIFICATIONS: _____ projection screen(s), _____ (H) x _____ (W). The Advantage® (With Closure Door) shall have two motors, one to operate door and one to operate screen. Door motor electrically operated 120 volt (60 Hz) not more than 1.2 amp, mounted inside the roller, to be three wire with ground, quick reversal type, oiled for life, with automatic thermal overload cutout, integral gears, capacitor and an electric brake to prevent coasting. To have pre-set but adjustable limit switches to automatically stop fabric door in the "down" position. The door will lift to the closed position where a micro switch shall cut off the electrical current to the door motor. Screen motor is electrically operated 120 volt (60 Hz) not more than 2.4 amp, mounted inside the roller, to be three wire with ground quick reversal type, oiled for life, with automatic thermal overload cutout, integral gears, capacitor and an electric brake to prevent coasting. To have pre-set but adjustable limit switches to automatically stop picture surface in the "up" and "down" positions. The roller to be of rigid metal. Screen fabric to be flame retardant and mildew resistant fiberglass with black masking borders standard. Bottom of fabric shall be formed into a pocket holding a metal rod with plastic caps. Case shall be a white powder coated aluminum extrusion. Bottom of case to be self-trimming with a built-

in flange around the bottom of the case. A section of the bottom of the case shall be an aluminum door equipped with concealed hinges so that it opens and closes automatically with the lowering and raising of the picture surface. The balance of the bottom of the case shall be a second hinged aluminum door with manual opening to provide access. Junction box shall be internally integrated into the housing making it possible to install the housing and wire to the building's electrical system during construction. The junction box shall contain a quick connector that is mounted in the housing for easy plug-in connection to the motorized fabric and roller assembly. The motorized fabric and roller assembly to be installed in the case at the factory or at a later time at the job site. To be complete with integrated low voltage control unit and three position control switch with cover plate. Suitable for use in environmental air space in accordance with section 300-22 (c) of the National Electric Code, and sections 2-128, 12-010 (3) and 12-100 of the Canadian Electrical Code, part 1, CSA C22.1. Screen to be listed by Underwriters' Laboratories.



HDTV (16:9) Format Dimensions (2" Standard Black Drop at Top)

Viewing Area (H x W)		Nominal Diagonal		Overall Length of Case*		Approx. Hang. Wt.		Approx. Ship. Wt.	
In.	Cm	In.	Cm	In.	Cm	Lbs.	Kg	Lbs.	Kg
45" x 80"	114 x 203	92"	234	96.25"	244	106	48.1	122	55.3
52" x 92"	132 x 234	106"	269	108.25"	275	118	53.5	137	57.6
54" x 96"	137 x 244	110"	279	112.25"	285	122	55.3	141	64.0
58" x 104"	147 x 264	119"	302	120.25"	305	130	59.0	153	69.4
65" x 116"	165 x 295	133"	338	132.25"	336	142	64.4	165	74.8
78" x 139"	198 x 353	159"	404	156.25"	397	166	75.3	190	86.2
90" x 160"	229 x 406	184"	467	176.25"	448	188	85.3	198	89.8

Wide (16:10) Format Dimensions (2" Standard Black Drop at Top)

Viewing Area (H x W)		Nominal Diagonal		Overall Length of Case*		Approx. Hang. Wt.		Approx. Ship. Wt.	
In.	Cm	In.	Cm	In.	Cm	Lbs.	Kg	Lbs.	Kg
50" x 80"	127 x 203	94"	239	96.25"	244	107	48.5	120	54.4
57.5" x 92"	146 x 234	109"	277	108.25"	275	119	54.0	138	62.6
60" x 96"	152 x 244	113"	287	112.25"	285	123	55.8	141	64.0
65" x 104"	165 x 264	123"	312	120.25"	305	131	59.4	156	70.7
69" x 110"	175 x 279	130"	330	126.25"	321	137	62.1	161	73.0
72.5" x 116"	184 x 295	137"	348	132.25"	336	143	64.9	165	74.8
87" x 139"	221 x 353	164"	417	156.25"	397	167	75.7	190	86.2
100" x 160"	254 x 406	189"	480	176.25"	448	190	86.2	198	89.8

Video (NTSC 4:3) Format Dimensions (2" Standard Black Drop at Top)

Viewing Area (H x W)		Nominal Diagonal		Overall Length of Case*		Approx. Hang. Wt.		Approx. Ship. Wt.	
In.	Cm	In.	Cm	In.	Cm	Lbs.	Kg	Lbs.	Kg
43" x 57"	109 x 145	72"	183	72.25"	184	85	38.5	93	42.2
50" x 67"	127 x 170	84"	213	82.25"	209	94	42.6	105	47.6
60" x 80"	152 x 203	100"	254	96.25"	244	107	48.5	118	53.5
69" x 92"	175 x 234	120"	305	108.25"	275	120	54.4	128	58.1
87" x 116"	221 x 295	150"	381	132.25"	336	145	65.8	165	74.8
105" x 140"	267 x 356	180"	457	156.25"	397	171	77.6	190	86.2
120" x 160"	305 x 406	200"	508	176.25"	448	193	87.5	198	89.8

Square Format Dimensions (Screen With ** Has 2" Standard Black Drop at Top)

Sizes (H x W)		Overall Length of Case*		Approx. Hang. Wt.		Approx. Ship. Wt.	
In.	Cm	In.	Cm	Lbs.	Kg	Lbs.	Kg
60" x 60"	152 x 152	72.25"	184	89	40.4	93	42.2
70" x 70"	178 x 178	82.25"	209	99	44.9	104	47.2
84" x 84"	213 x 213	96.25"	244	113	51.3	115	52.2
8' x 8'	244 x 244	108.25"	275	123	55.8	131	58.4
9' x 9' **	274 x 274	120.25"	305	136	61.7	149	67.6
10' x 10'	305 x 305	132.25"	336	149	67.6	176	79.8
12' x 12'	366 x 366	156.25"	397	177	80.3	200	90.7

*Case length does not include flange

PRODUCT NOTES

- **Matte White:** Horizontal seam required when both dimensions exceed 10'.
- **High Contrast Matte White:** Available in sizes up to 8' in height.
- Overall case length dimensions +/- 1/4" (6 mm).
- Detail dimensional drawings, wiring diagrams and installation instructions available upon request.
- Specifications subject to change without notice.
- Custom formats and sizes available upon request.

WHEN ORDERING, MARK APPROPRIATE SELECTIONS

1. Select size from charts.

2. Select viewing surface (All Da-Lite surfaces are GREENGUARD GOLD Certified):

Matte White

High Contrast Matte White

3. Options:

Extra drop available to lower picture area more than normal. Specify total drop at top ____ (black or white) or at bottom ____ (black or white). 13' maximum total surface height including picture area.

No Borders (Black masking borders standard)

220 Volt (50 Hz) Motor

Video Projector Interface Control – built-in

4. Optional Accessories:

Wireless Remote Control for LVC

Video Projector Interface

Radio Frequency Remote

RS-232 Interface

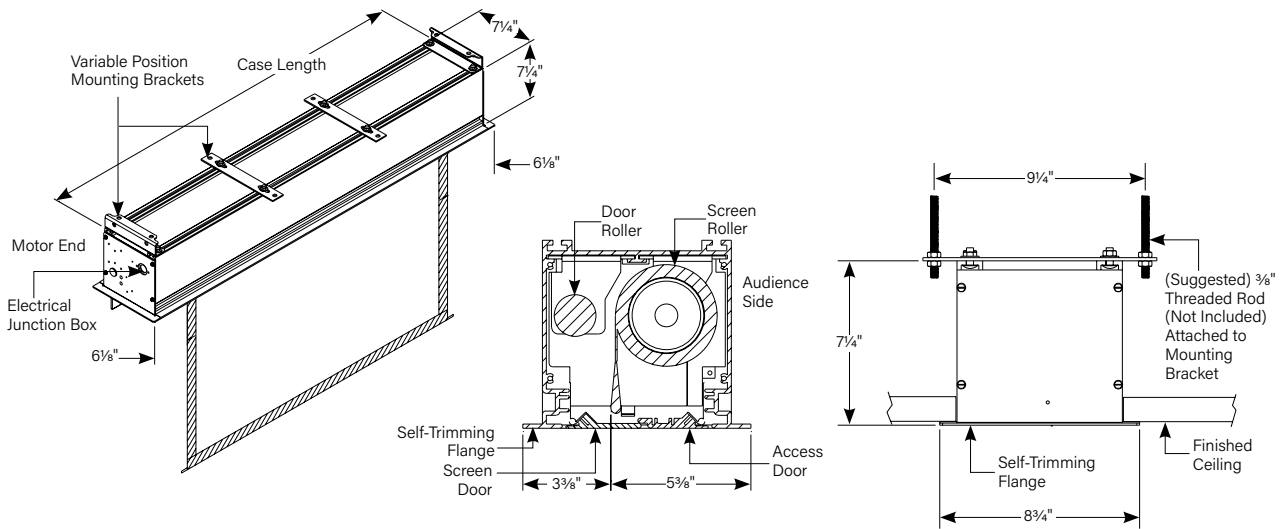
Radio Frequency Range Extender

Ethernet Adapter

Infrared Remote

Key Locking Cover Plate for LVC Switch

PRODUCT VIEWS & SUGGESTED CEILING INSTALLATION



Project Name: _____
 Architect: _____
 Contractor: _____ Phone: _____
 Reseller: _____ Phone: _____

Advantage®

Previously Named: Advantage Electrol

SUGGESTED SPECIFICATIONS: _____ projection screen(s), _____(H) x _____(W), electrically operated 120 volt (60Hz), not more than 2.4 amp with a quick connect male plug-in connector on the motor. Shall have specially designed motor mounted inside the roller, to be three wire with ground, quick reversal type, oiled for life, with automatic thermal overload cutout, integral gears, capacitor and an electric brake to prevent coasting. To have preset but adjustable limit switches to automatically stop picture surface in the "up" and "down" positions. Junction box shall be externally integrated into the housing making it possible to install the housing and wire to the building's electrical system during construction. The junction box shall contain a quick connector that is mounted in the housing for easy plug-in connection to the motorized fabric and roller assembly. The roller to be of rigid metal. The motorized fabric and roller assembly to be installed in the case at the factory or at a later time at the job site. Roller mounting brackets to be adjustable to allow centering or

offsetting of the screen within the case. Screen fabric to be flame retardant and mildew resistant fiberglass with black masking borders standard. Bottom of fabric shall be formed into a pocket holding a metal rod. Heavy duty plastic caps shall protect the ends of the rod. Top, front and back of case to be made of extruded aluminum powder coated white. End caps to be of heavy gauge steel, powder coated white. Bottom of case to have a removable access door. Door to be of extruded aluminum powder coated white. Bottom of case to be self-trimming, with a built-in flange around the bottom of the case. To be complete with integrated low voltage control unit and three position control switch and cover plate. Suitable for use in environmental air space in accordance with section 300-22 (c) of the National Electric Code, and sections 2-128, 12-010 (3) and 12-100 of the Canadian Electrical Code, part 1, CSA C22.1. Screen to be listed by Underwriters' Laboratories.



HDTV (16:9) Format Dimensions (2" standard black drop at top)

Viewing Area (H x W)		Nominal Diagonal		Overall Length of Case*		Approx. Hang. Wt.		Approx. Ship. Wt.	
In.	Cm	In.	Cm	In.	Cm	Lbs.	Kg	Lbs.	Kg
45" x 80"	114 x 203	92"	234	89.5"	227	78	35.4	86	39.0
52" x 92"	132 x 234	106"	269	101.5"	258	87	39.5	99	44.9
54" x 96"	137 x 244	110"	279	105.5"	268	90	40.8	105	47.6
58" x 104"	147 x 264	119"	302	113.5"	288	96	43.5	110	49.9
65" x 116"	165 x 295	133"	338	125.5"	319	105	47.6	123	55.8
78" x 139"	198 x 353	159"	404	149.5"	380	124	56.2	144	65.3
90" x 160"	229 x 406	184"	467	169.5"	431	141	63.9	147	66.7
99" x 176"	251 x 447	202"	513	185.5"	471	154	391.0	394	178.7
106" x 188"	269 x 478	216"	549	197.5"	502	164	417.0	419	190.1

Wide (16:10) Format Dimensions (2" standard black drop at top)

Viewing Area (H x W)		Nominal Diagonal		Overall Length of Case*		Approx. Hang. Wt.		Approx. Ship. Wt.	
In.	Cm	In.	Cm	In.	Cm	Lbs.	Kg	Lbs.	Kg
50" x 80"	127 x 203	94"	239	89.5"	227	78	35.4	87	39.5
57.5" x 92"	146 x 234	109"	277	101.5"	258	88	39.9	98	44.5
60" x 96"	152 x 244	113"	287	105.5"	268	92	41.7	103	46.7
65" x 104"	165 x 204	123"	312	113.5"	288	97	44.0	112	50.8
69" x 110"	175 x 279	130"	330	119.5"	304	101	45.8	114	51.7
72.5" x 116"	184 x 295	137"	348	125.5"	319	106	48.1	115	52.2
87" x 139"	221 x 353	164"	417	149.5"	380	125	56.7	143	64.9
100" x 160"	254 x 406	189"	480	169.5"	431	142	64.4	165	74.8
110" x 176"	279 x 447	208"	528	185.5"	471	156	396.0	394	178.7
117.5" x 188"	298 x 478	222"	564	197.5"	502	166	422.0	419	190.1

Video (NTSC 4:3) Format Dimensions (2" standard black drop at top)

Viewing Area (H x W)		Nominal Diagonal		Overall Length of Case*		Approx. Hang. Wt.		Approx. Ship. Wt.	
In.	Cm	In.	Cm	In.	Cm	Lbs.	Kg	Lbs.	Kg
43" x 57"	109 x 145	72"	183	65.5"	166	62	28.1	69	31.3
50" x 67"	127 x 170	84"	213	75.5"	192	69	31.3	77	34.9
60" x 80"	152 x 203	100"	254	89.5"	227	79	35.8	87	39.5
69" x 92"	175 x 234	120"	305	101.5"	258	88	39.9	100	45.4
87" x 116"	221 x 295	150"	381	125.5"	319	108	49.0	121	54.9
105" x 140"	267 x 356	180"	457	149.5"	380	128	58.0	147	66.7
120" x 160"	305 x 406	200"	508	169.5"	431	145	65.8	165	74.8

Square Format Dimensions (screens marked ** have 2" standard black drop at top)

Sizes (H x W)		Overall Length of Case*		Approx. Hang. Wt.		Approx. Ship. Wt.	
In.	Cm	In.	Cm	Lbs.	Kg	Lbs.	Kg
60" x 60"	152 x 152	65.5"	166	60	27.2	67	30.4
70" x 70"	178 x 178	75.5"	192	69	31.3	77	34.9
84" x 84"	213 x 213	89.5"	227	81	36.7	90	40.8
8' x 8'	244 x 244	101.5"	258	90	40.8	102	46.3
9' x 9**	274 x 274	113.5"	288	101	45.8	116	52.6
10' x 10**	305 x 305	125.5"	319	111	50.3	130	59.0
12' x 12'	366 x 366	149.5"	380	133	60.3	160	72.6

*Case length does not include flange

PRODUCT NOTES

- Overall case length dimensions +/- 1/4" (0.6 cm).
- Detail dimensional drawings, wiring diagrams and installation instructions available upon request.
- Specifications subject to change without notice.
- Custom formats and sizes available upon request.
- Electrical junction box extends 2 1/8" (5.4 cm) past case length on left end of case, 1 1/8" (2.9 cm) past ceiling flange.
- Internal junction box available. Will add 3 1/2" (8.9 cm) to overall case length and must be specified at time of order, recommended for drywall installations.
- Junction box on top of case available. Will add 3 1/2" (8.9 cm) to overall case length and 1 1/8" (4.8 cm) to height at left end of case; must be specified at time of order.

SURFACE INFORMATION

Matte White: Horizontal seam required when both dimensions exceed 10'.

High Contrast Matte White: Available in sizes where both dimensions do not exceed 8'.

WHEN ORDERING, MARK APPROPRIATE SELECTIONS

1. Select size from charts.

2. Select viewing surface (All Da-Lite surfaces are GREENGUARD GOLD Certified):

- Matte White
- High Contrast Matte White

3. Options:

Extra drop available to lower picture area more than normal. Specify total drop at top _____ (black or white) or at bottom _____ (black or white). 13' maximum

total surface height including picture area.

No Borders (Black masking borders standard)

Internal Junction Box (see product notes)

Junction Box on Top of Case (see product notes)

220 Volt (50 Hz) Motor

Video Projector Interface Control – built-in

4. Optional Accessories:

Wireless Remote Control for LVC

Radio Frequency Remote

Radio Frequency Range Extender

Infrared Remote

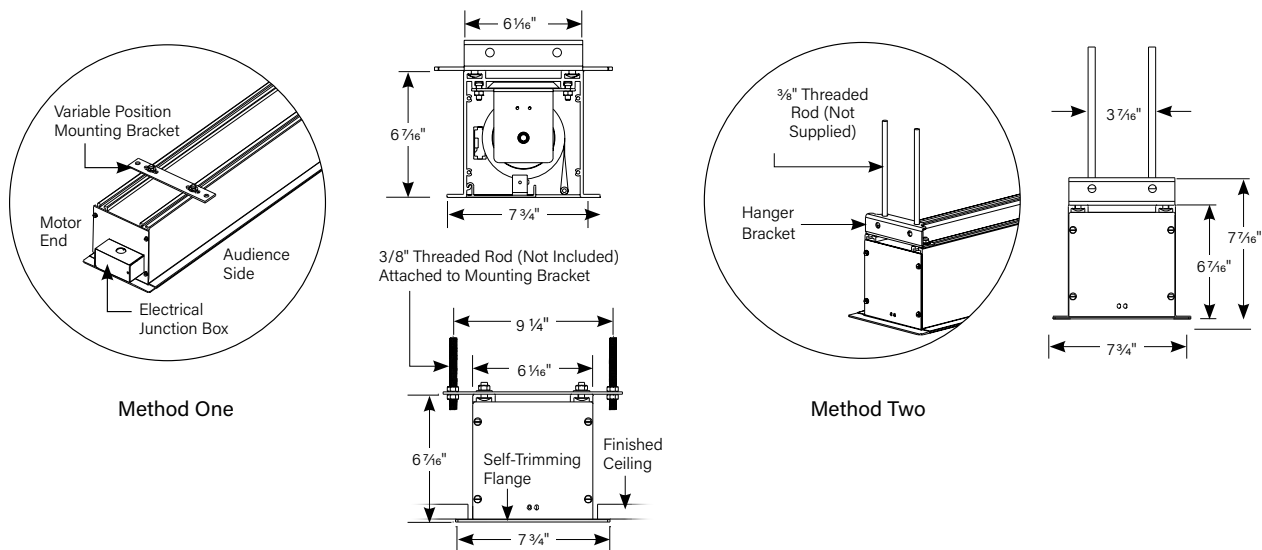
Video Projector Interface

RS-232 Interface

Ethernet Adapter

Key Locking Cover Plate for LVC Switch

SUGGESTED METHODS OF INSTALLATION



Project Name: _____

Architect: _____

Contractor: _____ Phone: _____

Reseller: _____ Phone: _____

Advantage® with SightLine

SUGGESTED SPECIFICATIONS: _____ projection screen(s), _____ (H) x _____ (W), electrically operated 120 volt (60Hz), not more than 2.4 amp with a quick connect male plug-in connector on the motor. Shall have specially designed motor mounted inside the roller, to be three wire with ground, quick reversal type, oiled for life, with automatic thermal overload cutout, integral gears, capacitor and an electric brake to prevent coasting. To have preset but adjustable limit switches to automatically stop picture surface in the "up" and "down" positions. Junction box shall be externally integrated into the housing making it possible to install the housing and wire to the building's electrical system during construction. The junction box shall contain a quick connector that is mounted in the housing for easy plug-in connection to the motorized fabric and roller assembly. The roller to be of rigid metal. Roller designed to drop material from case on 1mm 7/19 galvanized aircraft cable (70" maximum). The motorized fabric and roller assembly to be installed in the case at the

factory or at a later time at the job site. Roller mounting brackets to be adjustable to allow centering or offsetting of the screen within the case. Screen fabric to be flame retardant and mildew resistant fiberglass with black masking borders standard. Bottom of fabric shall be formed into a pocket holding a metal rod. Heavy duty plastic caps shall protect the ends of the rod. Top, front and back of case to be made of extruded aluminum powder coated white. End caps to be of heavy gauge steel, powder coated white. Bottom of case to have a removable access door. Door to be of extruded aluminum powder coated white. Bottom of case to be self-trimming, with a built-in flange around the bottom of the case. To be complete with integrated low voltage control unit and three position control switch and cover plate. Suitable for use in environmental air space in accordance with section 300-22 (c) of the National Electric Code, and sections 2-128, 12-010 (3) and 12-100 of the Canadian Electrical Code, part 1, CSA C22.1. Screen to be listed by Underwriters' Laboratories.



HDTV (16:9) Format Dimensions (2" standard black drop at top)

Viewing Area (H x W)		Nominal Diagonal		Overall Length of Case*		# of Cables	Approx. Hang. Wt.		Approx. Ship. Wt.	
In.	Cm	In.	Cm	In.	Cm		Lbs.	Kg	Lbs.	Kg
45" x 80"	114 x 203	92"	234	89.5"	227	3	78	35.4	86	39.0
52" x 92"	132 x 234	106"	269	101.5"	258	3	87	39.5	99	44.9
54" x 96"	137 x 244	110"	279	105.5"	268	3	90	40.8	105	47.6
58" x 104"	147 x 264	119"	302	113.5"	288	3	96	43.5	110	49.9
65" x 116"	165 x 295	133"	338	125.5"	319	4	105	47.6	123	55.8
78" x 139"	198 x 353	159"	404	149.5"	380	4	124	56.2	144	65.3
90" x 160"	229 x 406	184"	467	169.5"	431	4	141	63.9	147	66.7

Wide (16:10) Format Dimensions

Viewing Area (H x W)		Nominal Diagonal		Overall Length of Case*		# of Cables	Approx. Hang. Wt.		Approx. Ship. Wt.	
In.	Cm	In.	Cm	In.	Cm		Lbs.	Kg	Lbs.	Kg
50" x 80"	127 x 203	94"	239	89.5"	227	3	78	35.4	87	39.5
57.5" x 92"	146 x 234	109"	277	101.5"	258	3	88	39.9	98	44.5
60" x 96"	152 x 244	113"	287	105.5"	268	3	92	41.7	103	46.7
65" x 104"	165 x 204	123"	312	113.5"	288	3	97	44.0	112	50.8
69" x 110"	175 x 279	130"	330	119.5"	304	3	101	45.8	114	51.7
72.5" x 116"	184 x 295	137"	348	125.5"	319	4	106	48.1	115	52.2
87" x 139"	221 x 353	164"	417	149.5"	380	4	125	56.7	143	64.9
100" x 160"	254 x 406	189"	480	169.5"	431	4	142	64.4	165	74.8

*Case length does not include flange

PRODUCT NOTES

- All screens standard with 70" of fully adjustable cable drop. Drop set to 24" at the factory and adjusted to desired distance during installation.
- Screens with a case length of 120" or under drop from 3 cables. Screens with a case length over 120" drop from 4 cables.
- Overall case length dimensions +/- 1/4" (0.6 cm).
- Detail dimensional drawings, wiring diagrams and installation instructions available upon request.
- Specifications subject to change without notice.
- Custom formats and sizes available upon request.
- Electrical junction box extends 2 1/8" (5.4 cm) past case length on left end of case, 1 1/8" (2.9 cm) past ceiling flange.
- Internal junction box available. Will add 3 1/2" (8.9 cm) to overall case length and must be specified at time of order, recommended for drywall installations.
- Junction box on top of case available. Will add 3 1/2" (8.9 cm) to overall case length and 1 1/8" (4.8 cm) to height at left end of case; must be specified at time of order.

SURFACE INFORMATION

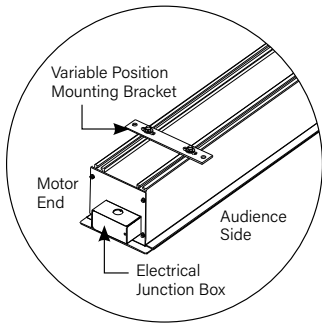
Matte White: Seamless in all standard sizes.

High Contrast Matte White: Available in sizes where both dimensions do not exceed 8'.

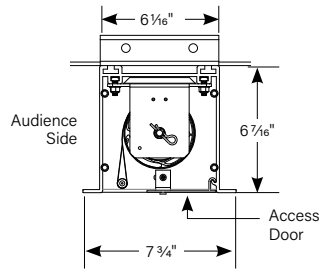
WHEN ORDERING, MARK APPROPRIATE SELECTIONS

- Select size from charts.
- Select viewing surface (All Da-Lite surfaces are GREENGUARD GOLD Certified):
 - Matte White
 - High Contrast Matte White
- Options:
 - No Borders (Black masking borders standard) Junction Box on Top of Case (see product notes)
 - Internal Junction Box (see product notes) 220 Volt (50 Hz) Motor
- Optional Accessories:
 - Wireless Remote Control for LVC RS-232 Interface
 - Radio Frequency Remote Ethernet Adapter
 - Radio Frequency Range Extender Key Locking Cover Plate for LVC Switch
 - Infrared Remote
 - Video Projector Interface

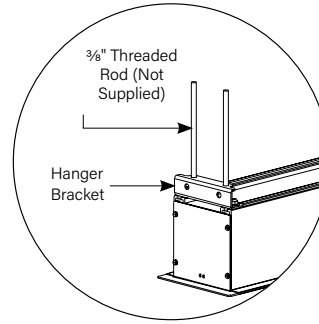
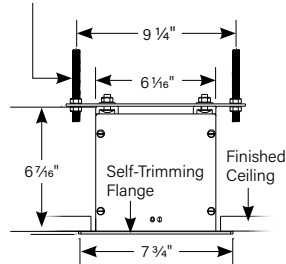
PRODUCT VIEWS & SUGGESTED CEILING INSTALLATION



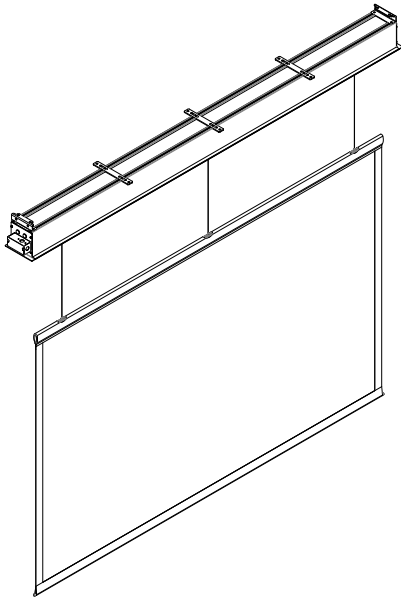
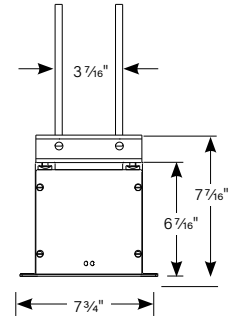
Method One



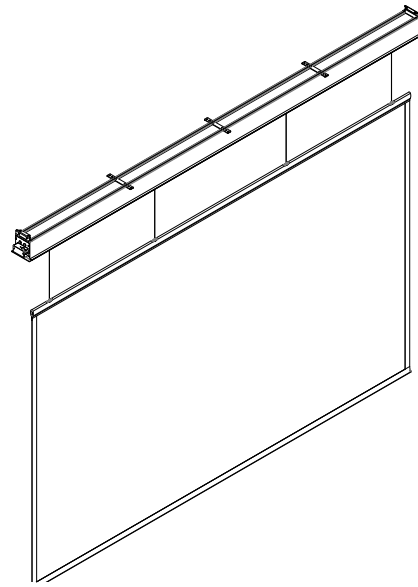
3/8" Threaded Rod (Not Included)
Attached to Mounting Bracket



Method Two



3 Wire (120" Case Length
and Below)



4 Wire (Case Lengths
Over 120")

Project Name: _____
 Architect: _____
 Contractor: _____
 Phone: _____
 Reseller: _____
 Phone: _____

Advantage® (Over 14' W with Closure Door)

Previously Named: Large Advantage Deluxe Electrol

SUGGESTED SPECIFICATIONS: _____ projection screen(s), _____ (H) x _____ (W). The Advantage® (Over 14' W with Closure Door) shall have two motors, one to operate door and one to operate screen. Door motor electrically operated 120 volt (60 Hz) not more than 1.2 amp, mounted inside the roller, to be three wire with ground, quick reversal type, oiled for life, with automatic thermal overload cutout, integral gears, capacitor and an electric brake to prevent coasting. To have pre-set but adjustable limit switches to automatically stop fabric door in the open position. The roller to be of 1.6" diameter aluminum. Screen motor is electrically operated 120 volt (60 Hz) not more than 2.4 amp, mounted inside the roller, to be three wire with ground quick reversal type, oiled for life, with automatic thermal overload cutout, integral gears, capacitor and an electric brake to prevent coasting. To have pre-set but adjustable limit switches to automatically stop picture surface in the "up" and "down" positions. Rigid metal roller, to be at least 5/8" in diameter (on screens 14' to 18' wide) or 7" in diameter (on screens where either height or width equal or exceed 20'). Screen fabric to be flame retardant and mildew resistant fiberglass with black masking borders standard. Bottom of fabric shall be formed into a pocket holding a metal rod with plastic caps. Case shall be a white powder

coated aluminum extrusion. Bottom of case to be self-trimming with a built-in flange around the bottom of the case. A section of the bottom of the case shall be a retractable aluminum door that opens and closes automatically with the lowering and raising of the picture surface. The balance of the bottom of the case shall be a second aluminum door with manual opening to provide access. Junction box shall be internally integrated into the housing making it possible to install the housing and wire to the building's electrical system during construction. The junction box shall contain a quick connector that is mounted in the housing for easy plug-in connection to the motorized fabric and roller assembly. The motorized fabric and roller assembly to be installed in the case at the factory or at a later time at the job site. To be complete with integrated low voltage control unit and three position control switch with cover plate. Suitable for use in environmental air space in accordance with section 300-22 (c) of the National Electric Code, and sections 2-128, 12-010 (3) and 12-100 of the Canadian Electrical Code, part 1, CSA C22.1. Screen to be listed by Underwriters' Laboratories.



HDTV (16:9) Format Dimensions (2" Standard Black Drop at Top)

Viewing Area (H x W)		Nominal Diagonal		Overall Length of Case*		Approx. Hang. Wt.		Approx. Ship. Wt.	
In.	Cm	In.	Cm	In.	Cm	Lbs.	Kg	Lbs.	Kg
106" x 188"	269 x 478	216"	549	207.5"	527	351	159.2	651	295.3
119" x 212"	302 x 538	243"	617	231.5"	588	389	176.4	724	328.4
133" x 236"	338 x 599	271"	688	255.5"	649	459	208.2	830	376.5
146" x 260"	371 x 660	298"	757	279.5"	710	501	227.2	958	434.5
160" x 284"	406 x 721	326"	828	303.5"	771	546	247.7	1012	459.0

Wide (16:10) Format Dimensions

Viewing Area (H x W)		Nominal Diagonal		Overall Length of Case*		Approx. Hang. Wt.		Approx. Ship. Wt.	
In.	Cm	In.	Cm	In.	Cm	Lbs.	Kg	Lbs.	Kg
110" x 176"	279 x 447	208"	528	195.5"	497	333	151.0	631	286.2
117.5" x 188"	283 x 478	222"	564	207.5"	527	355	161.0	662	300.3
132.5" x 212"	337 x 538	250"	635	231.5"	588	393	178.3	730	331.1
147.5" x 236"	375 x 599	278"	706	255.5"	649	464	210.5	839	380.6
162.5" x 260"	413 x 660	307"	780	279.5"	710	508	230.4	950	430.9
177.5" x 284"	451 x 721	335"	851	303.5"	771	553	250.8	1012	459.0

Video (NTSC 4:3) Format Dimensions (2" Standard Black Drop at Top)

Viewing Area (H x W)		Nominal Diagonal		Overall Length of Case*		Approx. Hang. Wt.		Approx. Ship. Wt.	
In.	Cm	In.	Cm	In.	Cm	Lbs.	Kg	Lbs.	Kg
123" x 164"	312 x 417	210"	533	183.5"	466	322	146.0	587	266.3
141" x 188"	358 x 478	240"	610	207.5"	527	362	164.2	662	300.3
159" x 212"	404 x 538	265"	673	231.5"	588	403	182.8	738	334.8
177" x 236"	450 x 599	295"	749	255.5"	649	475	215.4	847	384.2
213" x 284"	541 x 721	355"	902	303.5"	771	570	258.5	1012	459.0

Square Format Dimensions

Sizes (H x W)		Overall Length of Case*		Approx. Hang. Wt.		Approx. Ship. Wt.	
In.	Cm	In.	Cm	Lbs.	Kg	Lbs.	Kg
14' x 14'	427 x 427	183.5"	466	333	151	599	271.7
16' x 16'	488 x 488	207.5"	527	377	171	671	304.4
18' x 18'	549 x 549	231.5"	588	422	191.4	757	343.4
20' x 20'	610 x 610	255.5"	649	500	226.8	871	395.1
22' x 22'	671 x 671	279.5"	710	550	249.4	958	434.5

*Case length does not include flange

PRODUCT NOTES

- **Matte White:** Horizontal seam required when both dimensions exceed 16'.
- Overall case length dimensions +/- ¼" (6mm).
- Detail dimensional drawings, wiring diagrams and installation instructions available upon request.
- Specifications subject to change without notice.
- Custom formats and sizes available upon request.

WHEN ORDERING, MARK APPROPRIATE SELECTIONS

1. Select size from charts.

2. Select viewing surface (All Da-Lite surfaces are GREENGUARD GOLD Certified):

Matte White

3. Options:

Extra drop available to lower picture area more than normal. Specify total drop at top _____ (black or white) or at bottom

except for 24' wide, where maximum drop is 18'.

No borders (Black masking borders standard)

220 Volt (50 Hz) Motor

Video Projector Interface Control – built-in

_____ (black or white). 22' maximum total surface height including picture area

4. Optional Accessories:

Wireless Remote Control for LVC

Radio Frequency Remote

Radio Frequency Range Extender

Infrared Remote

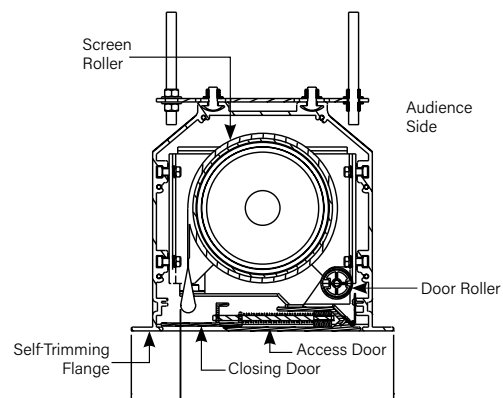
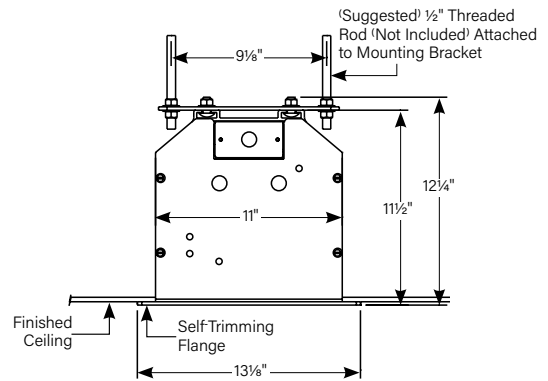
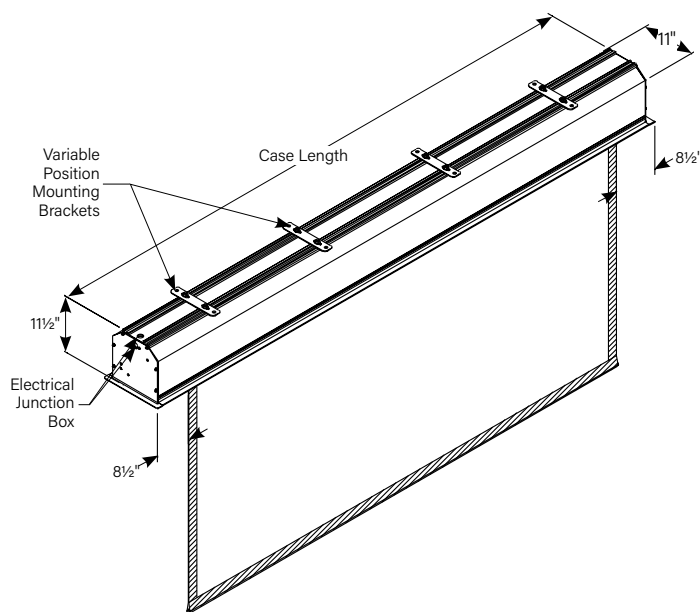
Video Projector Interface

RS-232 Interface

Ethernet Adapter

Key Locking Cover Plate for LVC Switch

PRODUCT VIEWS



Project Name: _____

Architect: _____

Contractor: _____ Phone: _____

Reseller: _____ Phone: _____

Advantage® (Over 16' W)

Previously Named: Large Advantage Electrol

SUGGESTED SPECIFICATIONS: _____ projection screen(s), _____(H) x _____(W), electrically operated 120 volt (60Hz), not more than 2.4 amp with a quick connect male plug-in connector on the motor. Shall have specially designed motor mounted inside the roller, to be three wire with ground, quick reversal type, oiled for life, with automatic thermal overload cutout, integral gears, capacitor and an electric brake to prevent coasting. To have preset but adjustable limit switches to automatically stop picture surface in the "up" and "down" positions. Junction box shall be internally integrated into the housing making it possible to install the housing and wire to the building's electrical system during construction. The junction box shall contain a quick connector that is mounted in the housing for easy plug-in connection to the motorized fabric and roller assembly. Rigid metal roller, to be at least 5¾" in diameter (on screens 14' to 18' wide) or 7" in diameter (on screens where either height or width equal or exceed 20'). The motorized fabric and roller assembly to be

installed in the case at the factory or at a later time at the job site. Roller mounting brackets to be adjustable to allow centering or offsetting of the screen within the case. Screen fabric to be flame retardant and mildew resistant fiberglass with black masking borders standard. Bottom of fabric shall be formed into a pocket holding a metal rod. Heavy duty plastic caps shall protect the ends of the rod. Case to be made of extruded aluminum powder coated white. End caps to be of heavy gauge steel, powder coated white. Bottom of case to have a removable access door. Door to be of extruded aluminum powder coated white. Bottom of case to be self-trimming, with a built-in flange around the bottom of the case. To be complete with integrated low voltage control unit and three position control switch with cover plate. Suitable for use in environmental air space in accordance with section 300-22 (c) of the National Electric Code, and sections 2-128, 12-010 (3) and 12-100 of the Canadian Electrical Code, part 1, CSA C22.1. Screen to be listed by Underwriters' Laboratories.



HDTV (16:9) Format Dimensions (2" Standard Black Drop at Top)

Viewing Area (H x W)		Nominal Diagonal		Overall Length of Case*		Approx. Hang. Wt.		Approx. Ship. Wt.	
In.	Cm	In.	Cm	In.	Cm	Lbs.	Kg	Lbs.	Kg
119" x 212"	302 x 538	243"	617	231.5"	588	359	162.8	688	312.1
133" x 236"	338 x 599	271"	688	255.5"	649	428	194.1	793	359.7
146" x 260"	371 x 660	298"	757	279.5"	710	462	209.6	920	417.3
160" x 284"	406 x 721	326"	828	303.5"	771	506	229.5	973	441.3

Wide (16:10) Format Dimensions

Viewing Area (H x W)		Nominal Diagonal		Overall Length of Case*		Approx. Hang. Wt.		Approx. Ship. Wt.	
In.	Cm	In.	Cm	In.	Cm	Lbs.	Kg	Lbs.	Kg
132.5" x 212"	337 x 538	250"	635	231.5"	588	357	161.9	694	314.8
147.5" x 236"	375 x 599	278"	706	255.5"	649	396	179.6	793	359.7
162.5" x 260"	413 x 660	307"	780	279.5"	710	469	212.7	920	417.3
177.5" x 284"	451 x 721	335"	851	303.5"	771	513	232.7	973	441.3

Video (NTSC 4:3) Format Dimensions (2" Standard Black Drop at Top)

Viewing Area (H x W)		Nominal Diagonal		Overall Length of Case*		Approx. Hang. Wt.		Approx. Ship. Wt.	
In.	Cm	In.	Cm	In.	Cm	Lbs.	Kg	Lbs.	Kg
159" x 212"	404 x 538	265"	673	231.5"	588	373	169.2	702	318.4
177" x 236"	450 x 599	295"	749	255.5"	649	444	201.4	780	353.8
213" x 284"	541 x 721	355"	902	303.5"	771	537	243.5	973	441.3

Square Format Dimensions

Sizes (H x W)		Overall Length of Case*		Approx. Hang. Wt.		Approx. Ship. Wt.	
In.	Cm	In.	Cm	Lbs.	Kg	Lbs.	Kg
18' x 18'	549 x 549	231.5"	588	391	177.3	721	327.0
20' x 20'	610 x 610	255.5"	649	467	211.8	834	378.3
22' x 22'	671 x 671	279.5"	710	518	234.9	920	417.3

*Case length does not include flange

PRODUCT NOTES

- **Matte White:** Horizontal seam required when both dimensions exceed 16'.
- Overall case length dimensions +/- 1/4" (6mm)".
- Detail dimensional drawings, wiring diagrams and installation instructions available upon request.
- Specifications subject to change without notice.
- Custom formats and sizes available upon request.

WHEN ORDERING, MARK APPROPRIATE SELECTIONS

1. Select size from charts.
2. Select viewing surface (All Da-Lite surfaces are GREENGUARD GOLD Certified):

Matte White

3. Options:

Extra drop available to lower picture area more than normal. Specify total drop at top ____ (black or white) or at bottom ____ (black or white). 22' maximum total surface height including picture area except for 24' wide, where maximum drop is 18'.

No borders (Black masking borders standard)

220 Volt (50 Hz) Motor

Video Projector Interface Control - built-in

4. Optional Accessories:

Wireless Remote Control for LVC

Radio Frequency Remote

Radio Frequency Range Extender

Infrared Remote

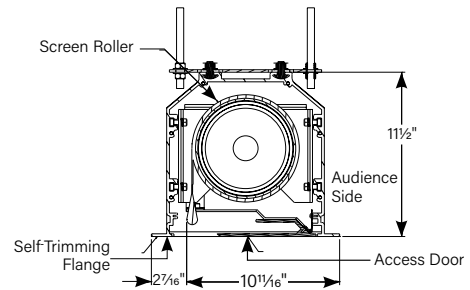
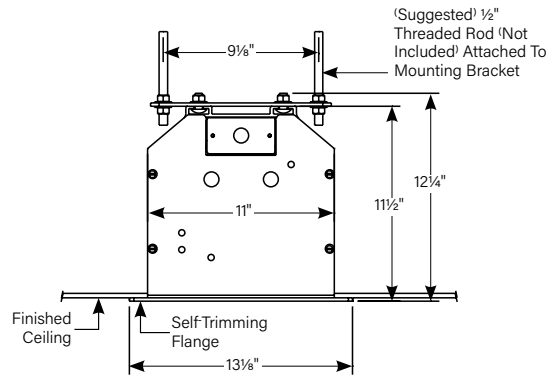
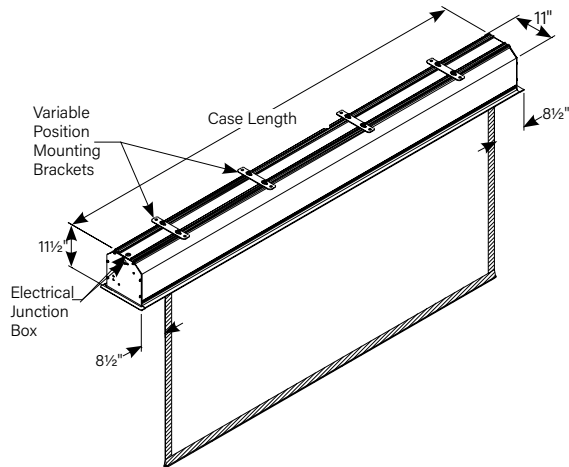
Video Projector Interface

RS-232 Interface

Ethernet Adapter

Key Locking Cover Plate for LVC Switch

SUGGESTED METHODS OF INSTALLATION



Project Name: _____

Architect: _____

Contractor: _____ Phone: _____

Reseller: _____ Phone: _____

LEGRAND | AV COMMERCIAL BRANDS

C2G | Chief | Da-Lite | Luxul | Middle Atlantic | Vaddio | Wiremold

FOR YOUR IMAGE | legrandav.com

USA 866.977.3901 av.da-lite.support@legrand.com CANADA 877.345.4329 av.da-lite.support@legrand.com

EMEA +31 495 580 840 av.emea.sales@legrand.com APAC +852 2145 4099 av.asia.sales@legrand.com

©2021 Legrand AV Inc. 200172 Rev D 11/21 Da-Lite is a registered trademark of Legrand AV Inc. All other brand names or marks are used for identification purposes and are trademarks of their respective owners. All patents are protected under existing designations. Other patents pending.