

# chameleon™

## ASSEMBLY INSTRUCTIONS

*Congratulations on your purchase!*

For any questions please call us at:  
800.535.5659 / 860.313.0525 (9am-5pm EST)  
Visit our website at: [www.salamanderdesigns.com](http://www.salamanderdesigns.com)

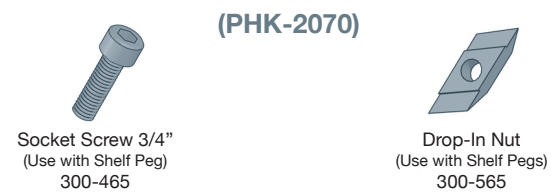


### Chameleon Hardware

You will need a Phillips head screwdriver to assemble your Chameleon Cabinet.



### Optional: Infinitely Adjustable Shelf Kit (See Fine Tuning)

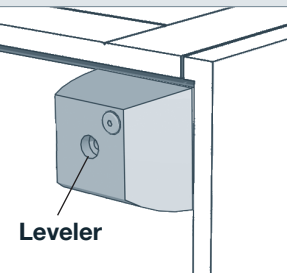


**LIMITED WARRANTY**  
For five full years Salamander Designs Ltd will repair or replace, at our option, any product defective in materials or craftsmanship. Salamander Designs Ltd. will not be responsible for any damage to or destruction of other equipment consequential to our equipment failure. Defective product must be given Return Authorization and is to be returned to the factory prepaid, in the original carton and packing material. Any damage incurred in a shipment not in original packaging shall be the responsibility of the owner. Warranty repairs will be returned prepaid within the continental U.S.A. only.

## 1 Level Cabinet

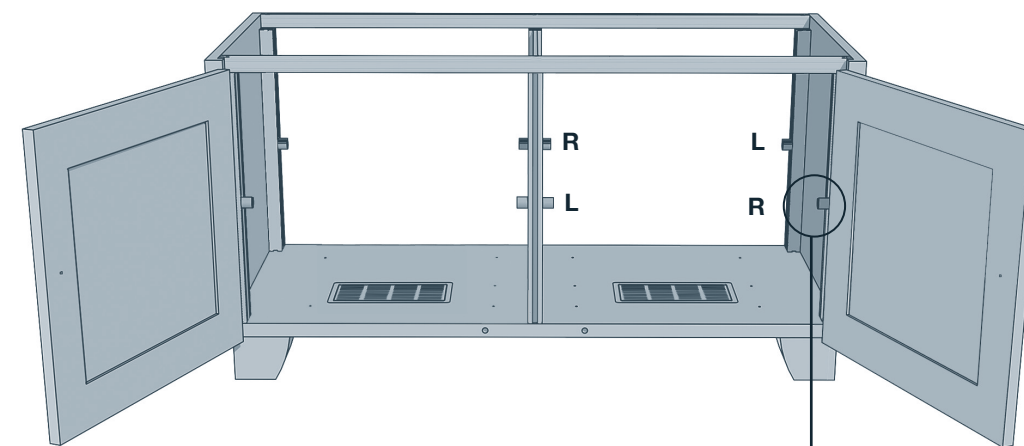
Prior to installing components, it is important to level the cabinet with the floor. Verify that all of the feet are properly adjusted to support the cabinet evenly.

Leveler

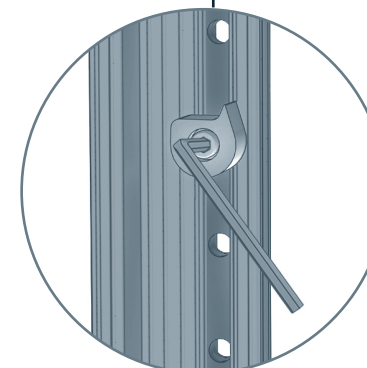
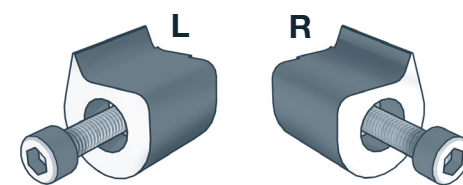


## 2 Install Shelves

**TIP:** For Infinitely Adjustable Shelves please skip ahead to "Fine Tuning & Tips."

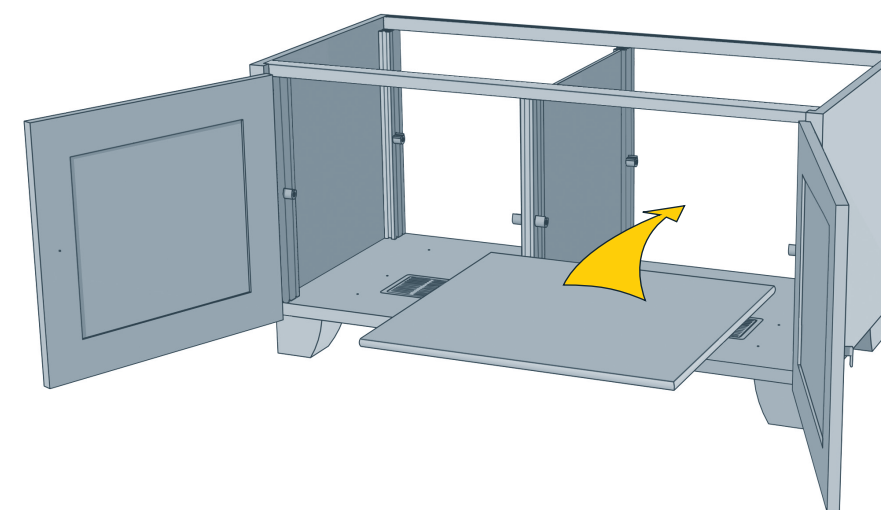


**A** Assemble shelf pegs with socket screws (300-455).



**B** Affix shelf peg assembly to post at desired position and secure using hex key.

**C** Remove plastic coating from shelves and place onto shelf pegs.



**TIP:** At this point you may install accessories (IR Repeater Kit, Power Conditioner, Etc.) and place components.

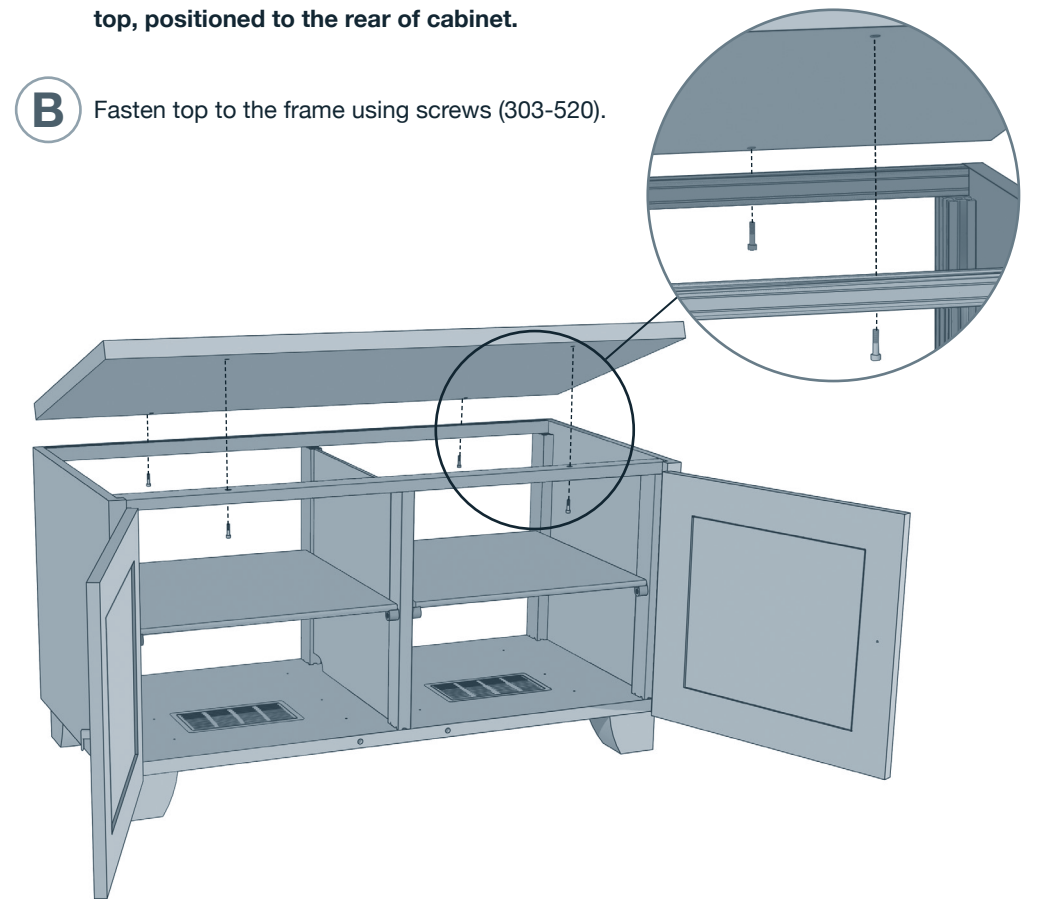
## 3 Place & Secure Top

**TIP:** If you have a TV Mount, install it before securing the Top.

### Wood Top

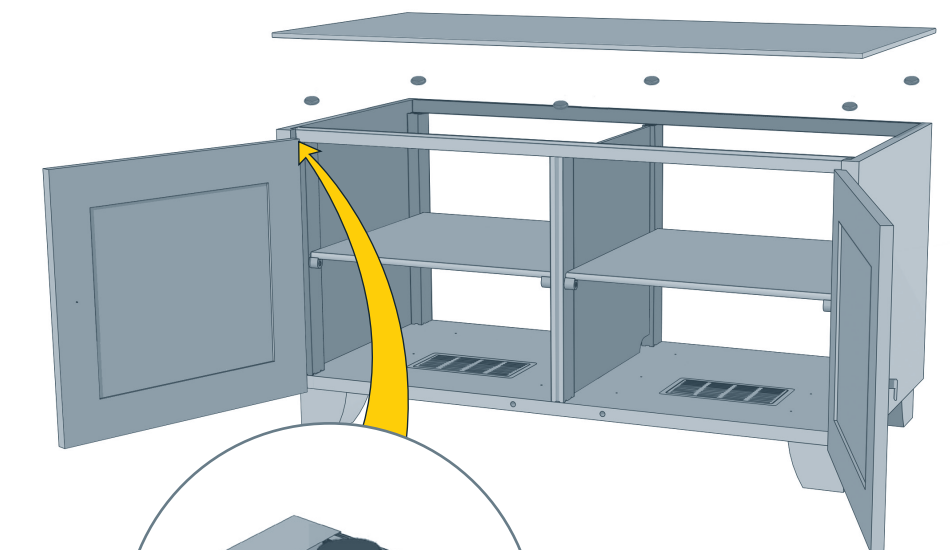
**A** Align wood top squarely to the cabinet frame with the holes closest to edge of top, positioned to the rear of cabinet.

**B** Fasten top to the frame using screws (303-520).

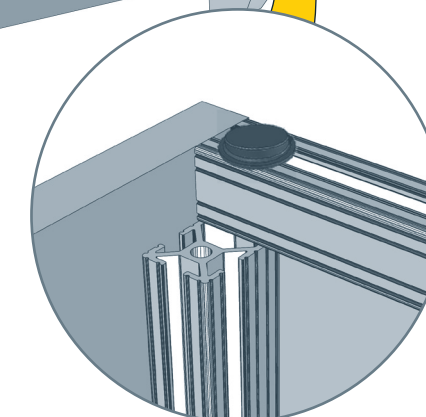


### Glass Top

**A** Place Rubber Pads (303-380) on the frame covering bolts as shown.

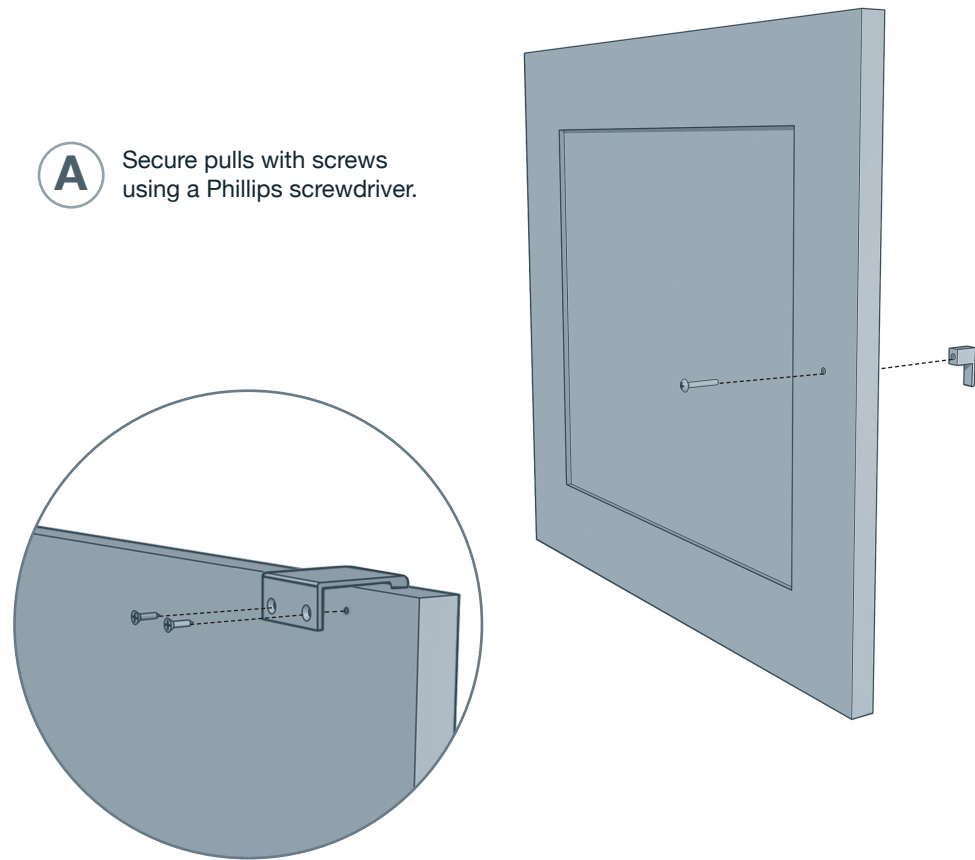


**B** Place the glass top squarely on the cabinet with the Salamander Logo positioned to the back/left corner.

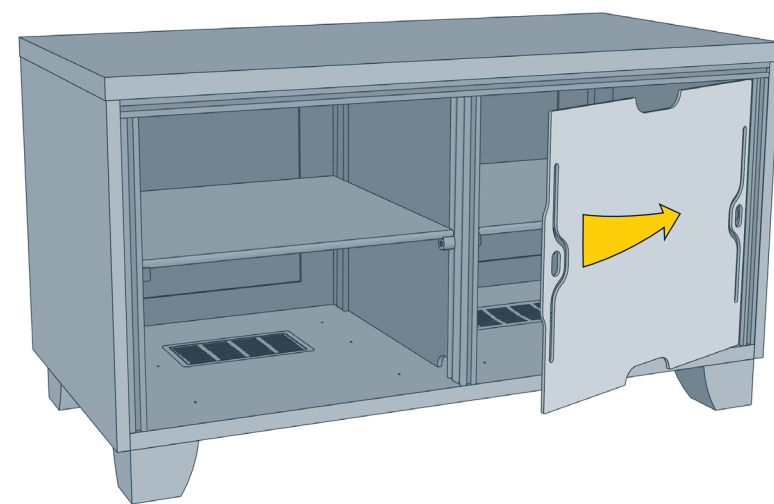


## 4 Install Door Pulls

- A** Secure pulls with screws using a Phillips screwdriver.



## 5 Rear Panels



- A** Locate the rear post channels.
- B** Lead one end of the rear panel into a post channel.
- C** Compress the rear panel firmly into the opposing post channel.

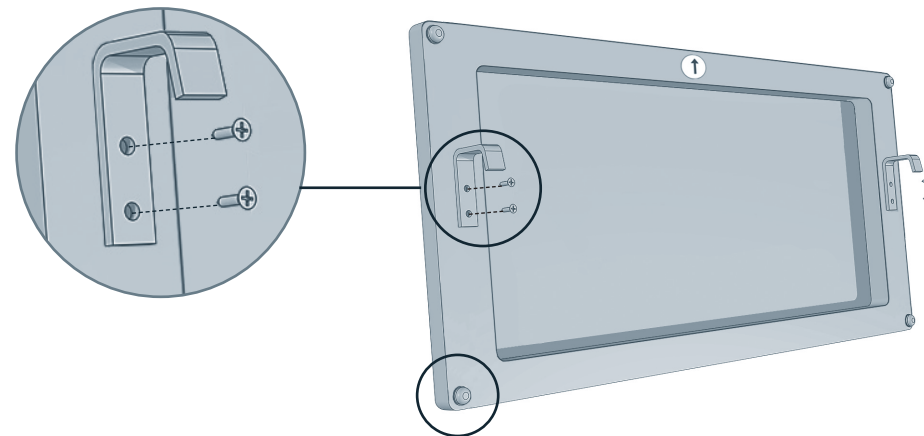
**TIP:** You may need to wiggle the rear panel to set it into place.

## Speaker Grill Assembly (Applicable Models Only)

### Speaker Grille Hardware Bag - PHK-2085

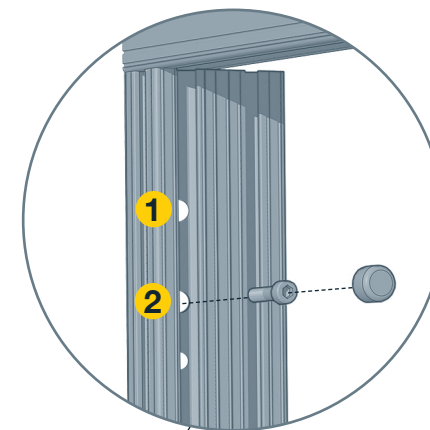


- A** Attach the two brackets (303-370) using the waferhead screws (300-115) to backside of speaker grill. Note the "UP" arrow.

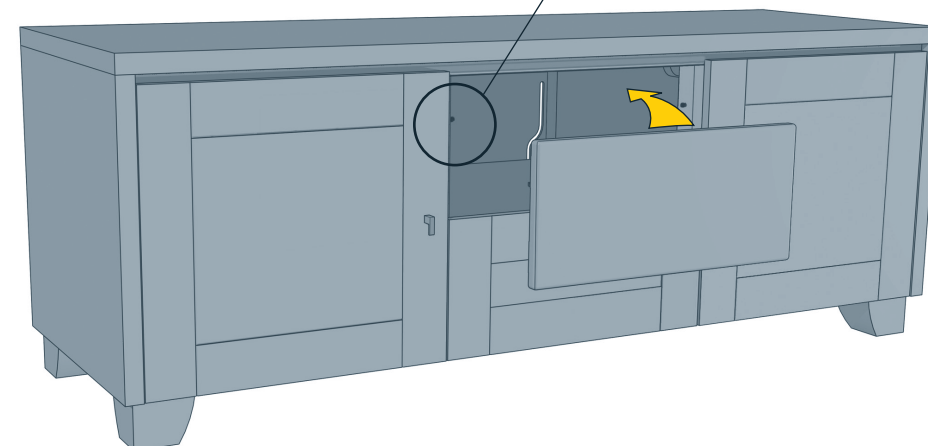


- B** Place grill pads (303-545) flush to corner edges.

- C** Affix socket screw (300-465) into **second hole** from top on inside of posts. Place rubber covers (303-375) on screw heads.

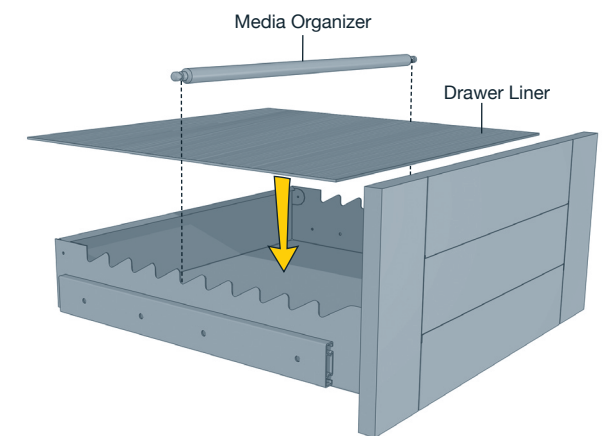


- D** Hang speaker grill on brackets.  
**NOTE:** Remove by lifting up and out.



## Media Drawer Assembly

- A** Set drawer liner (303-555) on bottom of tray.



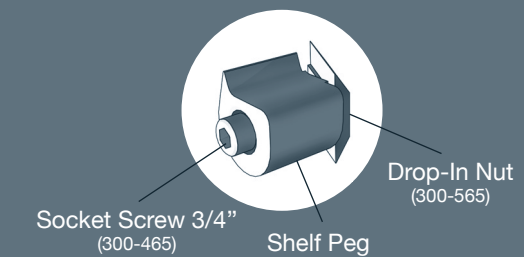
- B** Place media organizer (303-310).

**Note:** Horizontal grooves.

## Fine Tuning/ Tips

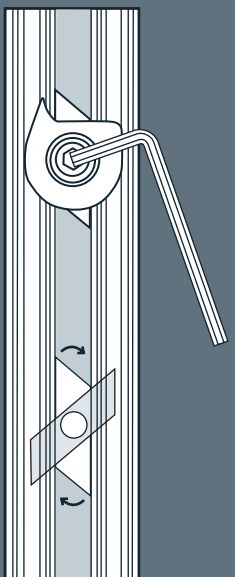
### Infinitely Adjustable Shelves

- A** Assemble loosely as shown.



- B** Insert into post channel and slide to desired height. Level shelf by adjusting shelf peg positions and tighten screw using hex key.

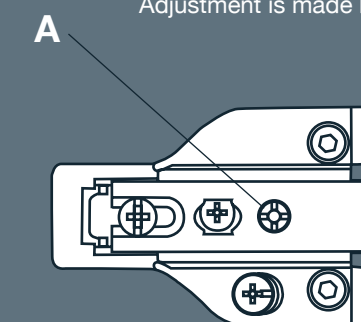
**Note:** Drop-in nut must make a 1/4 turn in post.



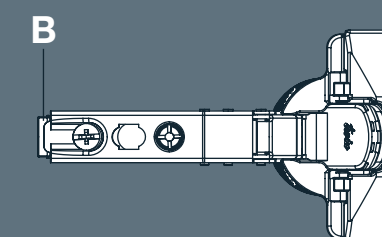
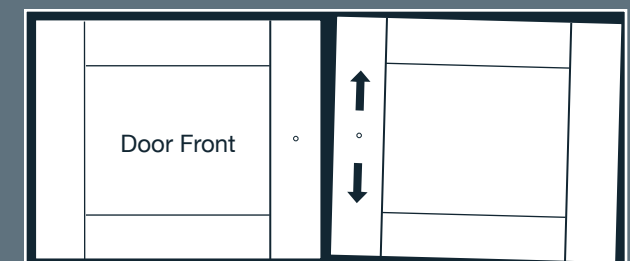
### Aligning Doors

Follow these instructions if you wish to adjust your doors.

**Main Adjustment (Side to Side and Up/Down)**  
Adjustment is made by turning screw (A) in and out.



Adjust the tops of the doors to be parallel to the top of the cabinet.



**Dismount Hinge from Hinge Plate**  
With one hand holding the door open, pull back on the hinge quick-release lever (B).