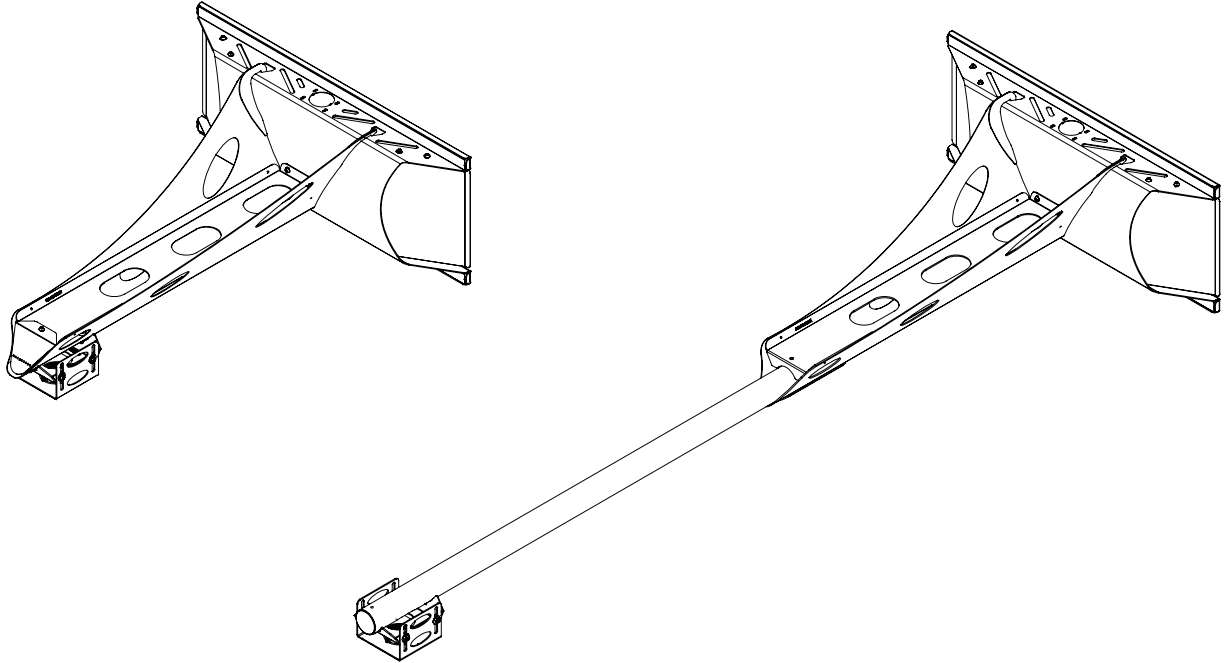


## INSTALLATION INSTRUCTIONS



### Universal Short Throw Projector Wall Mount Model: UNI/UNIE

---

#### **NORTH AMERICA**

3130 East Miraloma Avenue  
Anaheim, CA 92806 USA  
USA and Canada  
Phone: 1-800-368-9700  
Fax: 1-800-832-4888  
Other Locations  
Phone: (001) 714-632-7100  
Fax: (001) 714-632-1044

---

#### **EUROPE**

Swallow House,  
Shilton Industrial Estate,  
Shilton, Coventry, England CV79JY  
Phone: +44 (0) 2476 614700  
Fax: +44 (0) 2476 614710



## Table of Contents


Weight Capacity .....	2
Warning Statements .....	2
Installation Tools .....	3
Parts List .....	3
Features .....	4
Determining the Installation Height .....	5
Wood Stud Installation .....	6
Attaching the Projector Arm .....	7
Throw Distance Calculation .....	8
Attaching the Projector Mount .....	9
Extension Arm Installation (Optional) .....	12
Adjustable Mounting Bracket Installation .....	13
Utilizing the Storage Feature .....	14
Cable Management .....	15
Technical Specifications .....	16
Warranty .....	17
Disclaimer .....	17


### Weight Capacity

Maximum projector weight: **50 lb.**


THE WALL STRUCTURE MUST BE CAPABLE OF HOLDING FIVE (5) TIMES THE WEIGHT OF THE PROJECTOR. IF NOT, THEN THE WALL STRUCTURE MUST BE REINFORCED.


### Warning Statements


 PRIOR TO THE INSTALLATION OF THIS PRODUCT, THE INSTALLATION INSTRUCTIONS SHOULD BE READ AND COMPLETELY UNDERSTOOD. THE INSTALLATION INSTRUCTIONS MUST BE READ TO PREVENT PERSONAL INJURY AND PROPERTY DAMAGE. KEEP THESE INSTALLATION INSTRUCTIONS IN AN EASILY ACCESSIBLE LOCATION FOR FUTURE REFERENCE.


 PREMIER MOUNTS DOES NOT WARRANT AGAINST DAMAGE CAUSED BY THE USE OF ANY PREMIER MOUNTS PRODUCT FOR PURPOSES OTHER THAN THOSE FOR WHICH IT WAS DESIGNED OR DAMAGE CAUSED BY UNAUTHORIZED ATTACHMENTS OR MODIFICATIONS, AND IS NOT RESPONSIBLE FOR ANY DAMAGES, CLAIMS, DEMANDS, SUITS, ACTIONS OR CAUSES OF ACTION OF WHATEVER KIND RESULTING FROM, ARISING OUT OF OR IN ANY MANNER RELATING TO ANY SUCH USE, ATTACHMENTS OR MODIFICATIONS.


 SAFETY MEASURES MUST BE PRACTICED AT ALL TIMES DURING THE ASSEMBLY OF THIS PRODUCT. USE PROPER SAFETY GEAR AND TOOLS FOR THE ASSEMBLY PROCEDURE TO PREVENT PERSONAL INJURY.


 At least two qualified people should perform the assembly procedure. Injury and/or damage can result from dropping or mishandling the projector.


 If mounting to studs, make sure that the mounting screws are anchored into the center of the studs. Use of an edge-to-edge stud finder is recommended.

 Be aware of the mounting environment. If drilling and/or cutting into the mounting surface, always make sure that there are no electrical wires in wall. Cutting/drilling into an electrical line may cause serious injury.

 Make sure there are no water lines inside the wall where the mount is to be located. Cutting/drilling into a water line may cause severe water damage to the mounting surface.

 This product is intended for indoor use only. Use of this product outdoors could lead to product failure and personal injury.

 Do not install near sources of high heat. Do not install on a structure that is prone to vibration, movement or chance of impact

 Contact Premier Mounts with any questions  
 (800) 368-9700  
 techsupport@mounts.com



### Installation Tools

The following tools may be required depending upon your particular installation. They are not included.


### Parts List

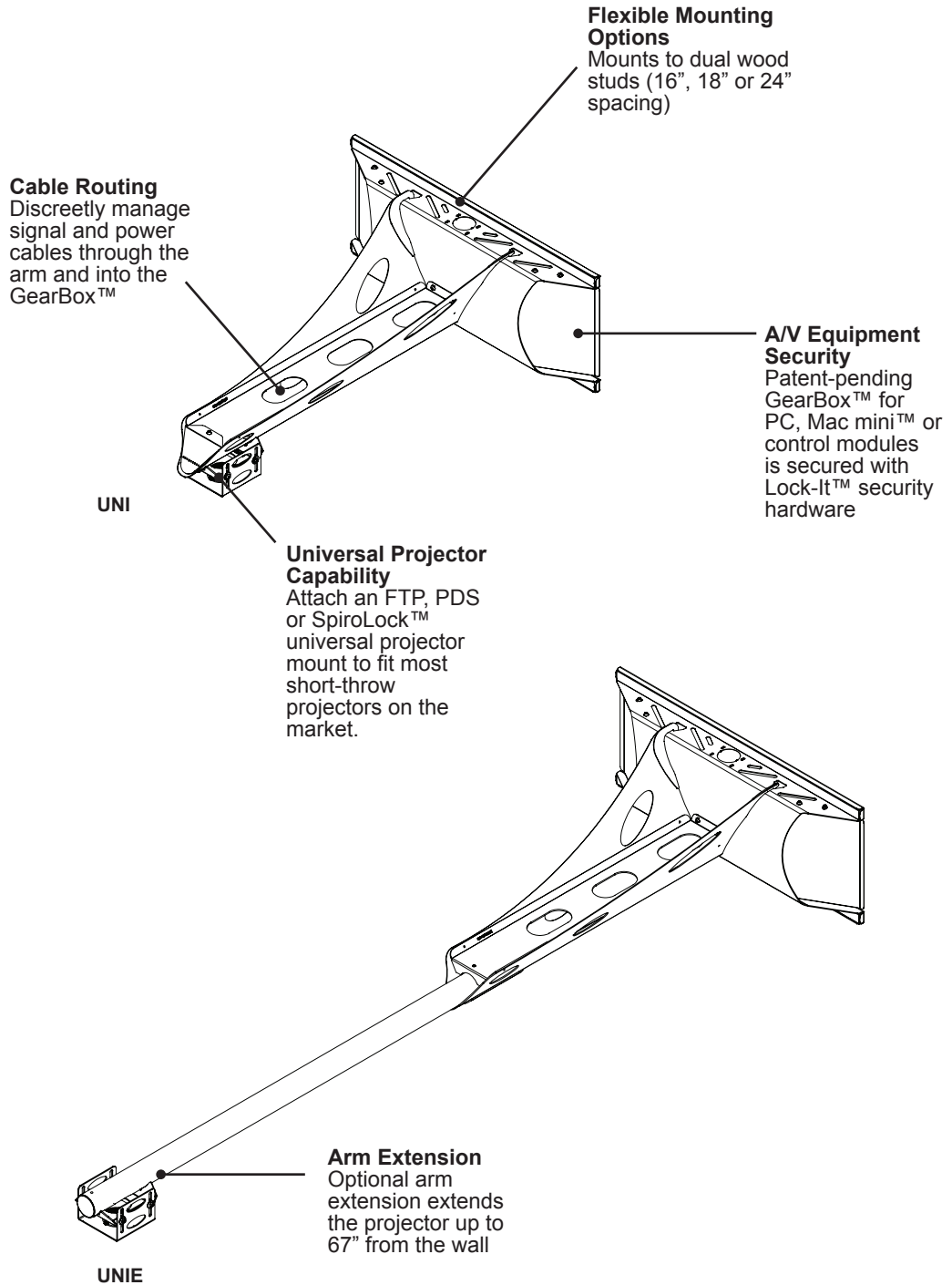
Make sure your Premier Mounts product has the following hardware and components before beginning installation. If there are parts missing and/or damaged, stop the installation and call Premier Mounts at (800) 368-9700.

<b>UNI/UNIE Hardware</b>					
 Wall Plate (Qty 1)	 Arm Assembly (Qty 1)	<b>Extension Hardware Pack</b>  M6 x 12mm Security Screws (pre-assembled) (Qty 2)  M6 Flat Washer (Qty 2)		<b>Extension Arm - Optional (Qty 1)</b> included with the UNIE  External Slide Plate (Qty 1)	
 End Cover (Qty 1)	 Adjustable Mounting Assembly - Pre-Assembled (Qty 1)	 Internal Slide Plate (Qty 1)	 Back Plate Covers (Qty 2)		
 M4 x 10mm Security Screws for FTP Install (Qty 4)	 M6 x 12mm Security Screws for PDS Install (Qty 2)	 M5 x 8mm Security Screws (Qty 7)	 M6 x 16mm Security Screws (Qty 2)	 5/16" x 3" Lag Bolts (Qty 4)	 M5 Allen Wrench (Qty 1)
 1/4" Nylon Spacer (Qty 2)	 Square Washers (Qty 4)				




## Features


Premier Mounts' universal short-throw projector arm (UNI/UNIE) is one of the most flexible and installer-friendly short-throw arms on the market. It adjusts from 7" to 27" [up to 67" from the wall when used with an arm extension (UNIE)]. To make installation even easier, an array of mounting points at the top and bottom of the GearBox™ allows you to mount the UNI/UNIE off-center from the whiteboard/screen, if needed. The UNI/UNIE mounts to a single stud or dual studs at 16", 18" or 24" spacing, and includes a Fine-Tune Projector (FTP), PDS or SpiroLock™ projector mount.

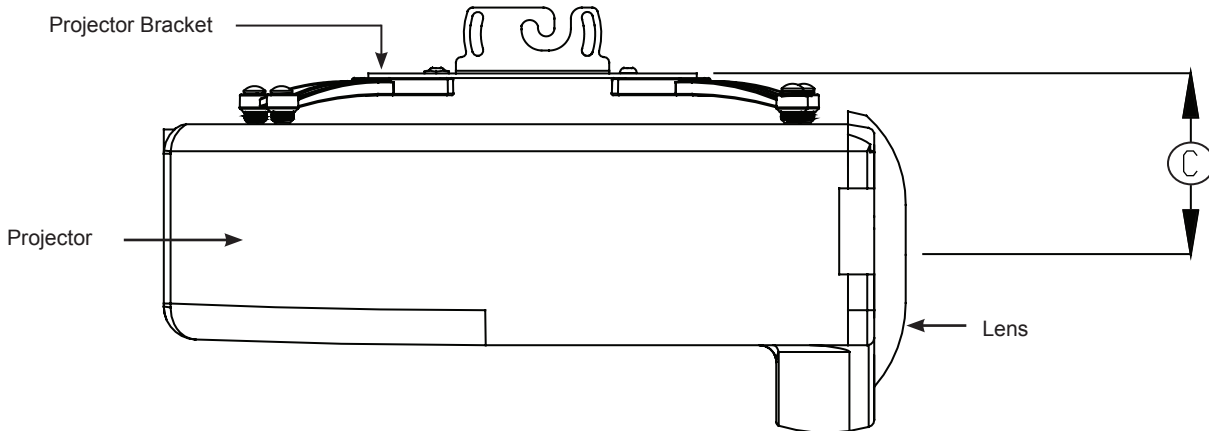




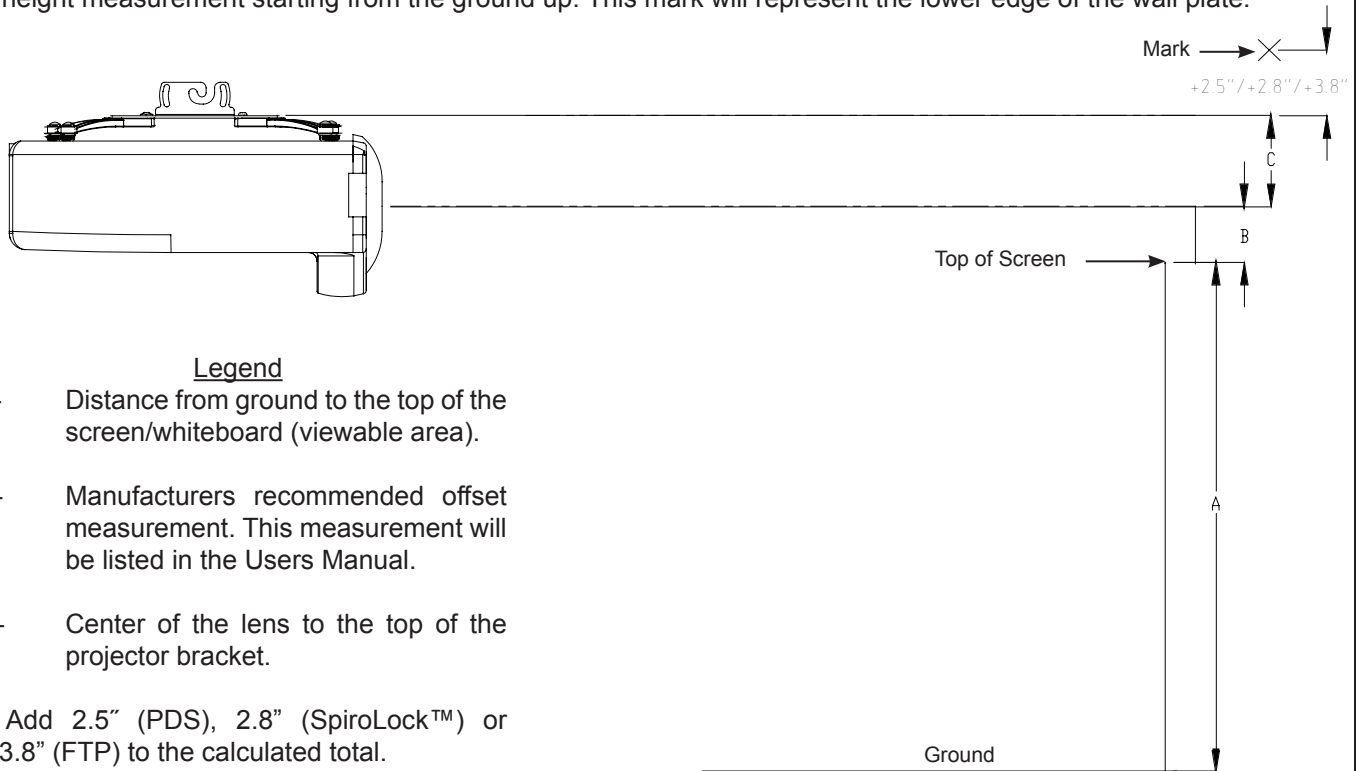
# Determining the Installation Height

 The UNI/UNIE is designed for use with the Fine-Tune Projector (FTP), PDS or SpiroLock™ projector mounts. In order to determine the installation height and throw distance, their projector mounting bracket must be mounted to the projector. Please refer to the projector mount installation instructions prior to performing the following steps.

 Refer to the projector's user's manual to determine the offset of the projector lens to the top of the screen/whiteboard (B).



- 1 Measure distance from center of lens to the top of the projector mounting bracket (C).
- 2 Add the distance from the ground to the top of the screen (A). Add the projector manufacturers recommended offset from the projector manual (B), then add the measurement from Step 1 (C). Lastly, add 2.5" if you are using a PDS mount, 2.8" if SpiroLock™ or 3.8" if FTP.  
(Example:  $A + B + C + 2.5''$  or  $2.8''$  or  $3.8'' = ?$ )
- 3 Add the measurements to determine the mounting height mark. Place a mark at the top of the total calculated height measurement starting from the ground up. This mark will represent the lower edge of the wall plate.



### Legend

- A - Distance from ground to the top of the screen/whiteboard (viewable area).
- B - Manufacturers recommended offset measurement. This measurement will be listed in the Users Manual.
- C - Center of the lens to the top of the projector bracket.


Add 2.5" (PDS), 2.8" (SpiroLock™) or 3.8" (FTP) to the calculated total.

This total distance will be the location for the bottom rail on the wall plate.

Proceed to the **"Wood Stud Installation"** section.



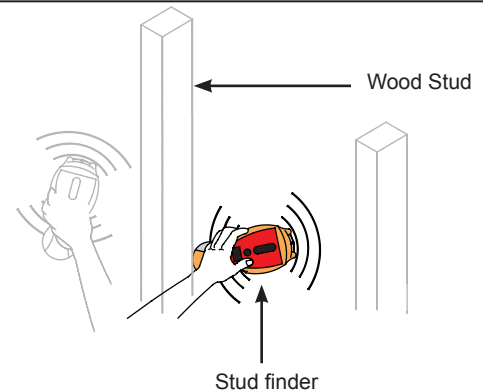
## Wood Stud Installation

 Do NOT over-tighten lag bolts when attaching the mount to the wall. Improper installation may result in personal injury or damage to property.

 THE EXACT CENTER OF THE STUD MUST BE LOCATED FOR CORRECT AND SAFE INSTALLATION.

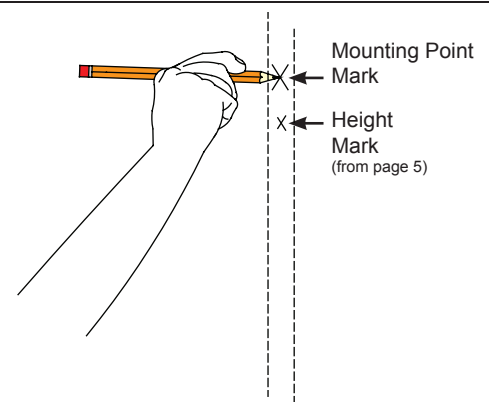
### Step 1

Use an electronic stud finder (not supplied) to locate the center of the stud that is in the wall.



### Step 2

Use a pencil to mark the first mounting point, just above your height mark (from page 5).

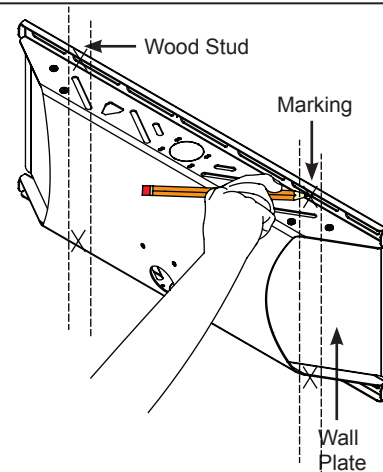


### Step 3

- 1 Use the level to make sure the wall plate is level from side to side.
- 2 Place the wall plate over the first mounting point mark and use a pencil to mark the rest of the mounting points.

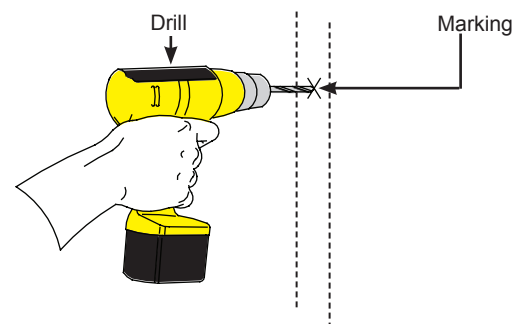


Four (4) mounting points must be used. Two (2) upper mounting points and two (2) lower mounting points.



### Step 4

Once the mounting points have been marked, use a 1/4" drill bit and portable drill to drill the pilot holes.

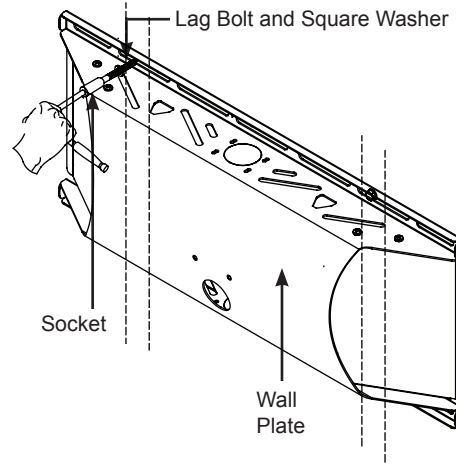




### Step 5

After the pilot holes have been drilled, use four (4)  $\frac{5}{16}$ " x 3" lag bolts and four (4) square washers to mount the wall plate to the wooden studs.

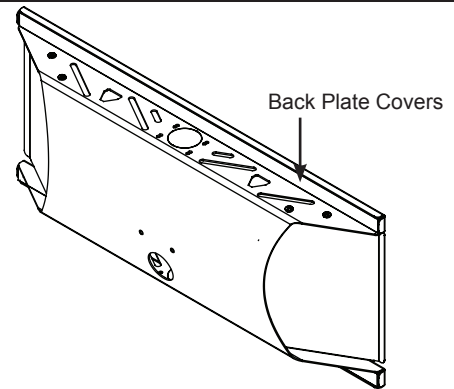
Use a  $\frac{1}{2}$ " socket and socket wrench to finish this step.



### Step 6

Insert and gently tap the upper and lower back plate covers into place.

Proceed to the "Attaching the Projector Arm" section.



## Attaching the Projector Arm

### Step 1

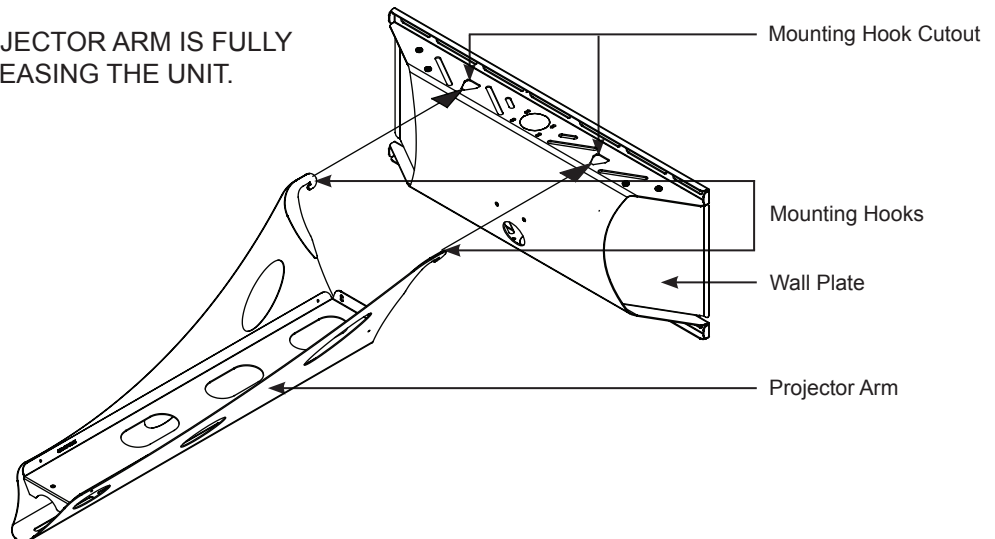
- 1 Locate the mounting hook cutout on the top of the wall plate.
- 2 Tilt the arm slightly and gently insert the mounting hooks into the mounting hook cutouts.
- 3 Slowly lower and let the projector arm rest against the wall plate.



If using the storage feature of the product, it may be easier to route any wiring at this time (please see Page 15).



**MAKE SURE THE PROJECTOR ARM IS FULLY SEATED BEFORE RELEASING THE UNIT.**



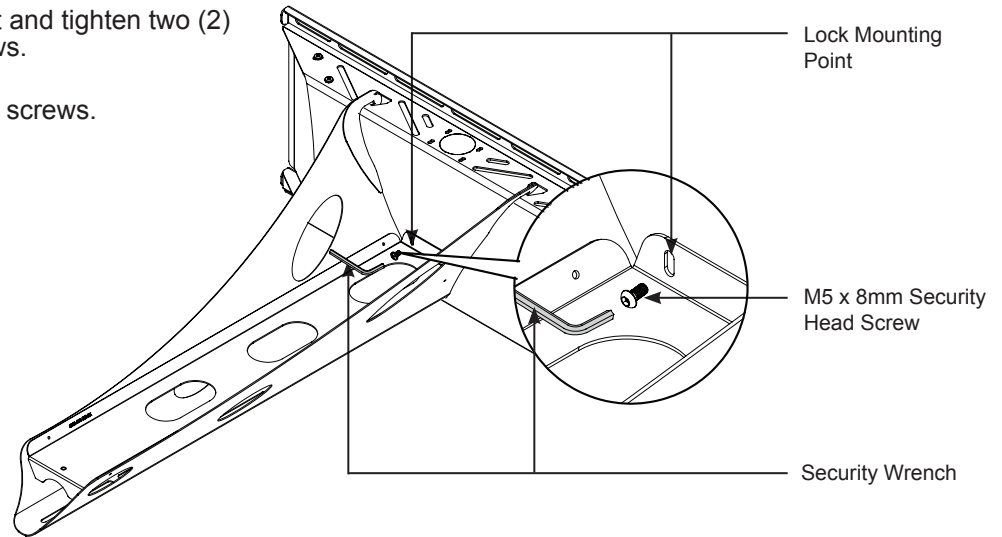


## Step 2

- 1 Locate the two (2) lock mounting points on the projector arm. These two points will be aligned with the lock mounting points on the wall plate.
- 2 Using a security wrench, insert and tighten two (2) M5 x 8mm security head screws.



Do NOT overtighten these screws.



## Throw Distance Calculation



Please review your projector mount's user manual before attaching the upper mounting bracket. The correct throw distance (the distance from the projector to the screen) must be determined prior to mounting the projector.

- 1 Refer to the projector's user's manual to determine the distance from the lens to the front of the screen (X).
- 2 Measure the distance from the front of the lens to the center of the projector (Y).
- 3 Measure the distance from the wall to the face of the whiteboard/screen (Z).
- 4 Add all measurements (X + Y + Z) to determine projector placement on the arm assembly. This measurement will determine where the center of the mount bracket will be located on the arm assembly. Please make note of this measurement.

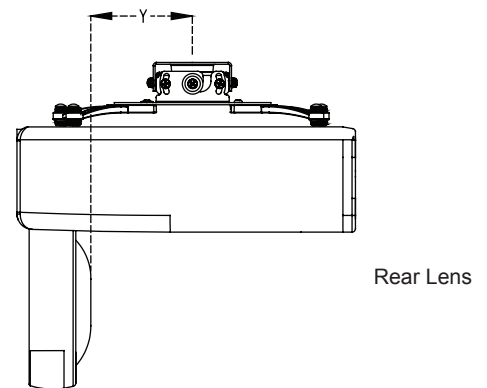
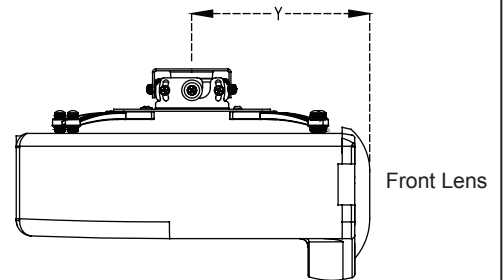
### Calculations

X = Manufacturers recommended throw distance

Z = Distance from wall to face of whiteboard/screen

Front Lens Throw Distance =  
(X + Y + Z)

Rear Lens Throw Distance =  
(X - Y + Z)



The UNI/UNIE can be also used as a wall-mounted standard projector mount as well as a short throw projector mount. Align the projector facing the opposite direction from the wall plate to project the image across the room. Please take into account the projectors throw capabilities prior to mounting in the projector opposite direction.

Continue to the “Attaching the Projector Mount” section.



## Attaching the Projector Mount

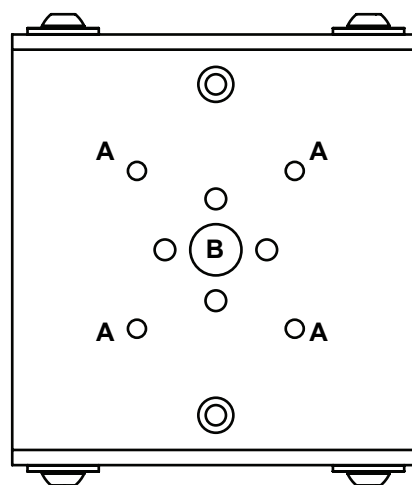
**?** What kind of projector mount are you attaching to the adjustable mounting assembly?

If it is a Fine-Tune Projector (FTP) mount, continue to the “**Installing an FTP Mount**” section below.

If it is a SpiroLock™ mount, proceed to the “**Installing an SpiroLock™ Mount**” below.

If it is a PDS mount, proceed to the “**Installing a PDS Mount**” section on page 10.

 Attach the projector mount to the mounting assembly before attaching the projector itself.




Bottom view of the adjustable mounting assembly


Figure 1

## Installing an FTP Mount

- 1 Detach the upper half of the mounting assembly from the lower half.
- 2 Following the “A” mounting-hole pattern (Figure 1), use four (4) M4 x 10mm security screws to attach the FTP projector mount to the lower half of the mounting assembly (Figure 2). Do not overtighten.

 Use the four mounting holes on the collar of the FTP.

- 3 Re-attach both components of the mounting assembly.

 Refer to the FTP user manual for instructions on attaching the projector to the mount.

**?** Are you attaching an extension arm?

If yes, continue to the “**Extension Arm Installation (Optional)**” section on page 12.

If no, proceed to the “**Adjustable Mounting Bracket Installation**” section on page 13.

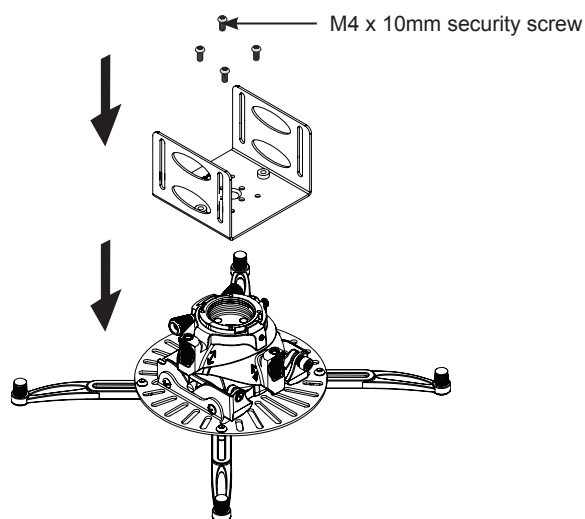



Figure 2

## Installing a SpiroLock™ Mount

- 1 Detach the upper half of the mounting assembly from the lower half.
- 2 Following the “B” mounting-hole pattern (Figure 1), use one (1) M8 x 16mm flathead security screw to attach the SpiroLock™ projector mount to the lower half of the mounting assembly (Figure 3). Do not overtighten.

 The M8 x 16mm flathead security screw is included with the SpiroLock™.

- 3 Re-attach both components of the mounting assembly.

 Refer to the SpiroLock™ user manual for instructions on attaching the projector to the mount.

**?** Are you attaching an extension arm?

If yes, continue to the “**Extension Arm Installation (Optional)**” section on page 12.

If no, proceed to the “**Adjustable Mounting Bracket Installation**” section on page 13.

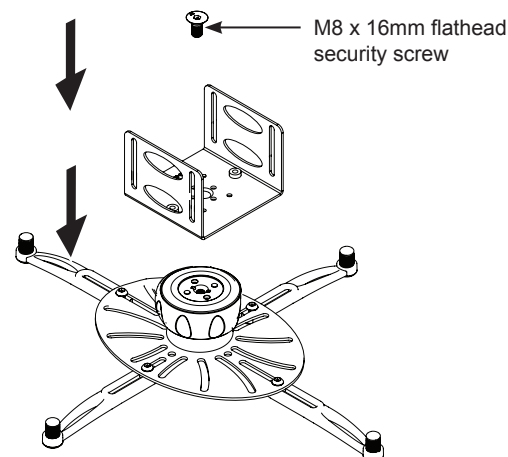


Figure 3



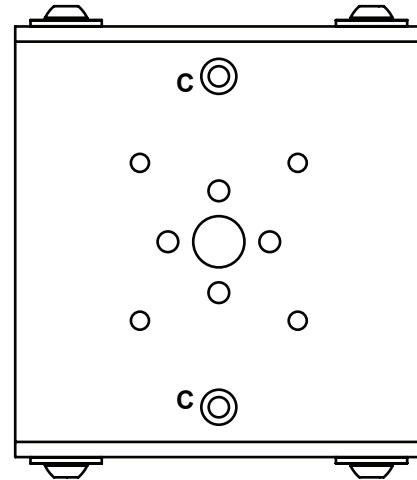
## Attaching the Projector Mount (cont'd)

### Installing a PDS Mount

**?** How will you attach the PDS mount?

If you are using the adjustable mounting assembly, continue to the **“Attaching the PDS to the Adjustable Mounting Assembly”** section below.

If you are using only the upper mounting plate for an even lower profile, proceed to the **“Attaching the PDS to the Upper Mounting Plate”** section on page 11.




Bottom view of the adjustable mounting assembly


Figure 1

### Attaching the PDS to the Adjustable Mounting Assembly

- 1 Detach the upper half of the mounting assembly from the lower half.
- 2 Following the “C” mounting-hole pattern (Figure 1), use two (2) M6 x 12mm security head screws to attach the PDS base box to the lower half of the mounting assembly (Figure 2).

 You must insert the screws from the bottom of the PDS base box. Detach the base box from the mount, if needed.

- 3 Re-attach both components of the mounting assembly.

 Refer to the PDS user manual for instructions on attaching the projector to the mount.

 Do NOT overtighten these screws.

**?** Are you attaching an extension arm?

If yes, continue to the **“Extension Arm Installation (Optional)”** section on page 12.

If no, proceed to the **“Adjustable Mounting Bracket Installation”** section on page 13.

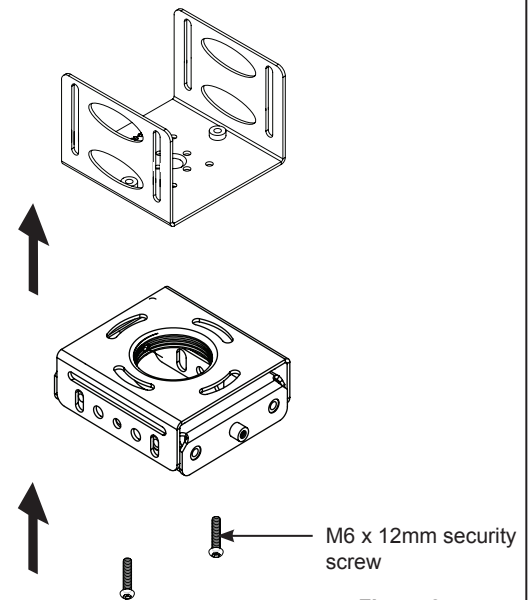


Figure 2



## Attaching the PDS to the Upper Mounting Plate



Projector dimensions differ between manufacturers. If the projector hangs too low from the UNI/UNIE, the adjustable mounting bracket may be removed. This will allow you to attach the base box directly to the upper mounting bracket for an even lower profile installation.

- 1 Detach the upper half of the mounting assembly from the lower half.
- 2 Use two (2) M6 x 12mm security head screws to attach the PDS base box to the upper mounting plate (Figure 2).



You must insert the screws from the bottom of the PDS base box. Detach the base box from the mount, if needed.



Refer to the PDS user manual for instructions on attaching the projector to the mount.



Do NOT overtighten these screws.



Are you attaching an extension arm?

If yes, continue to the “**Extension Arm Installation (Optional)**” section on page 12.

If no, proceed to the “**Adjustable Mounting Bracket Installation**” section on page 13.

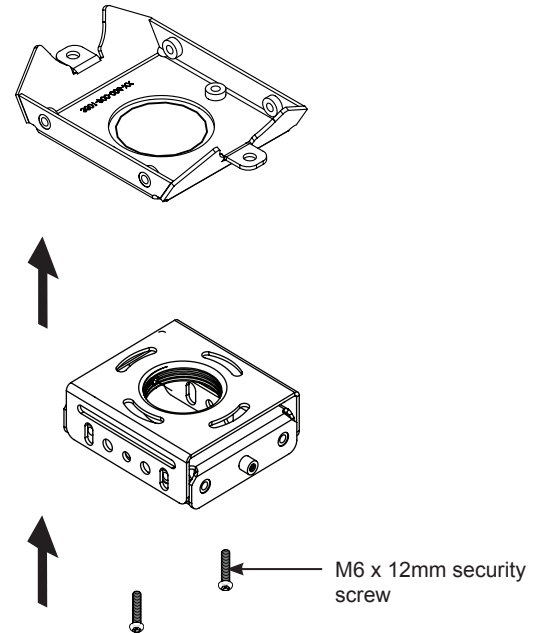




Figure 2

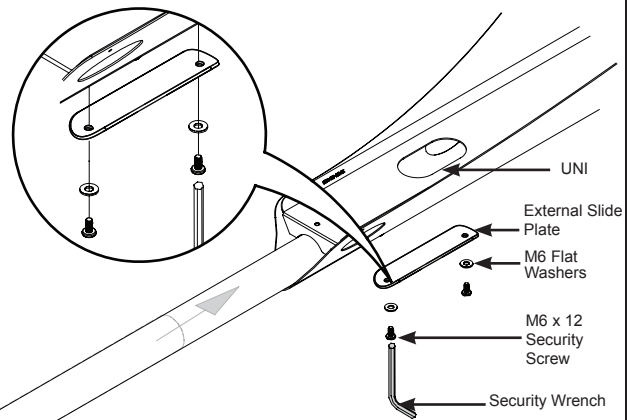


## Extension Arm Installation (Optional)

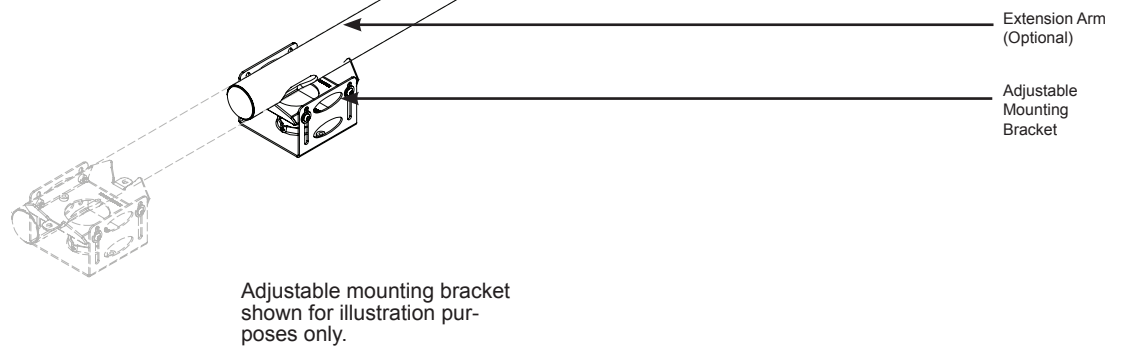
 Please see the Operator's Manual to determine the correct throw distance (the distance from the projector to the screen). The throw distance must be determined prior to mounting the projector (Page 8).

 If the extension arm is purchased at a later date, the end cover must be removed prior to installing the extension arm.

- 1 Slide the extension arm into the open end of the UNI (the front of the mount).
- 2 Adjust the length so that the center of the adjustable mounting bracket matches the throw distance calibration.
- 3 Line up the mounting holes on the extension arm with the mounting slots on the UNI.
- 4 Using a screwdriver, insert and tighten two (2) M6 x 12mm security head screws and M6 flat washers through the external slide plate and tighten.



Proceed to the “Adjustable Mounting Bracket Installation” section.





# Adjustable Mounting Bracket Installation



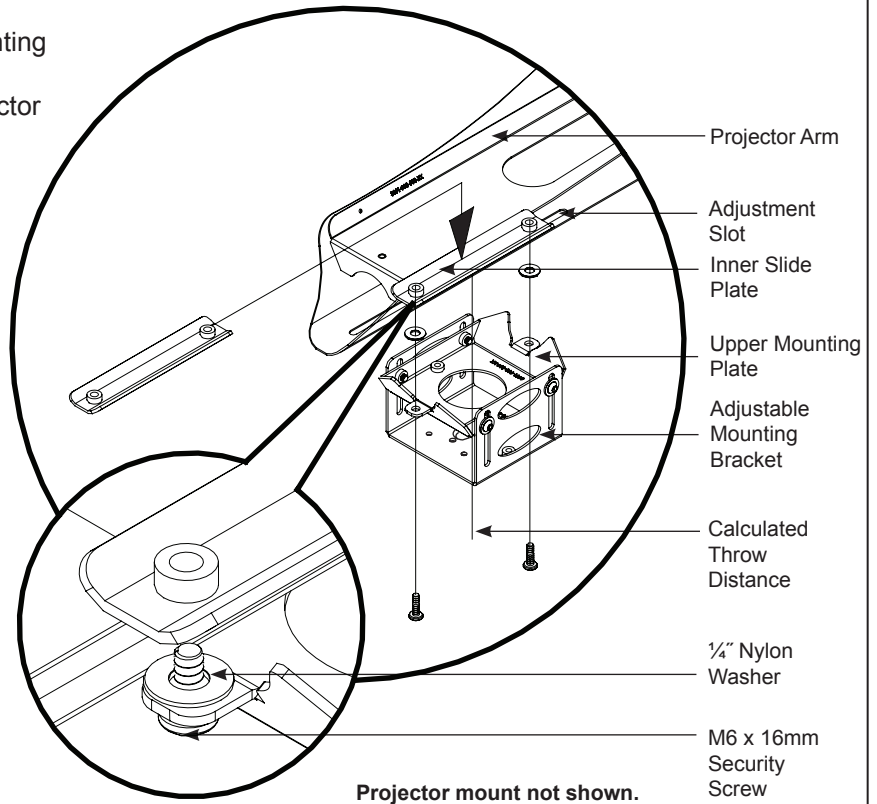
If you are using the PDS and upper mounting plate assembly, you can still follow the instructions below to attach it to the projector arm.

- 1 Insert the internal slide plate into the projector arm.
- 2 Determine which adjustment slot best matches your throw distance calculation (see page 8).
- 3 Raise the adjustable mounting bracket into position.
- 4 Align the mounting holes of the upper mounting plate with the mounting holes of the inner slide plate.



Two (2 - one per screw) 1/4" nylon washers must be placed between the adjustable mounting bracket and the projector arm (see inset to the right).

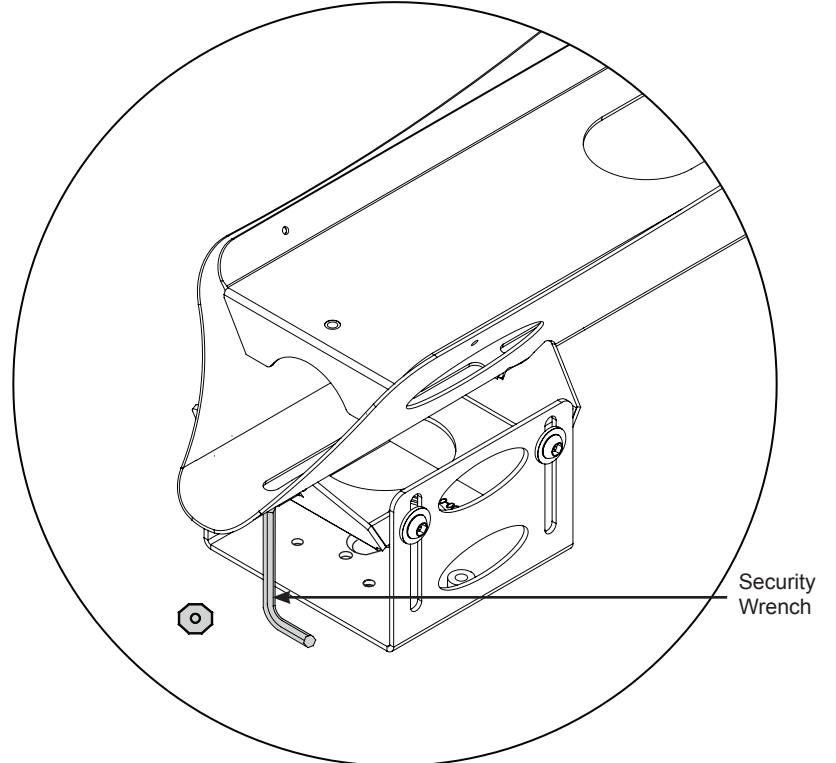
- 5 Secure and finger-tighten two (2) M6 x 16mm security head screws.
- 6 If needed, determine the Throw Distance again.
- 7 Once the correct throw distance has been determined, use the security wrench (supplied) to tighten the mounting screws.



If the adjustable mounting bracket needs to be adjusted, the four (4) M6 x 12mm security screws may be loosened so that the bracket can be moved  $\pm 2"$ . Once the desired height has been achieved, re-tighten the hardware.



Do NOT overtighten these screws.



Continue to the "Utilizing the Storage Feature" section.

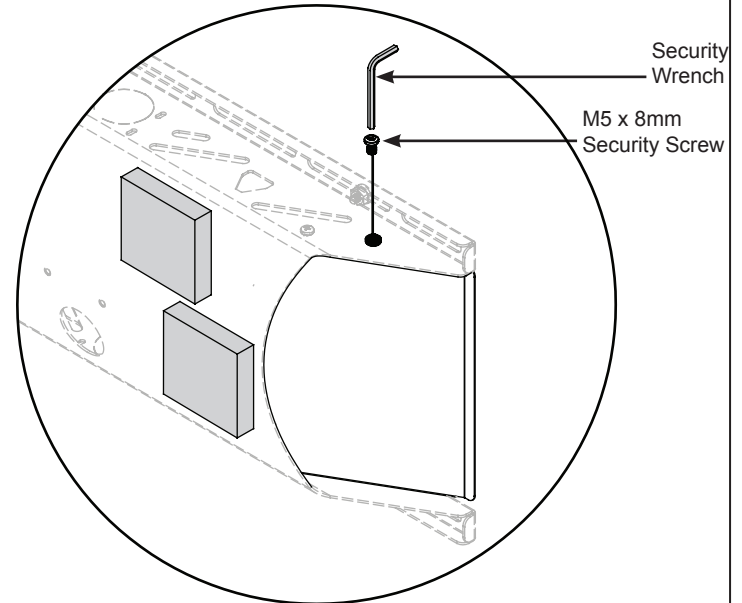
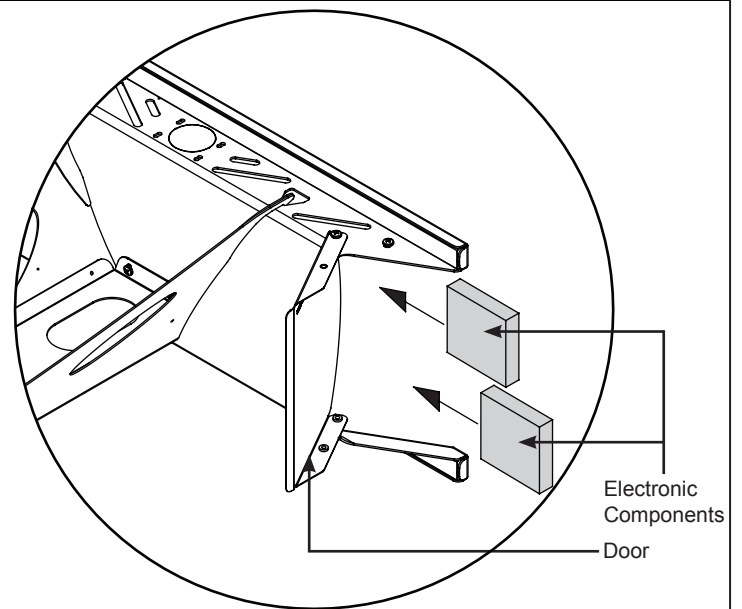


## Utilizing the Storage Feature

The storage feature may be used to store electronic components. There is an accessible door on each side of the storage enclosure. It may be securely held shut with the use of four (4) M5 x 8mm security head screws. It may be easiest to pre-wire all cables down the arm (or extension) at this time.

- 1 Open the storage door that is located on the side of the wall plate.
- 2 Place the electronic components inside the storage enclosure.
- 3 Make all electronic connections at this time.
- 4 Close the storage door and secure using two (2; 1 upper and 1 lower) M5 x 8mm security head screws. Tighten using a security wrench. Repeat this process for the other side as well.

Proceed to the “**Cable Management**” section.



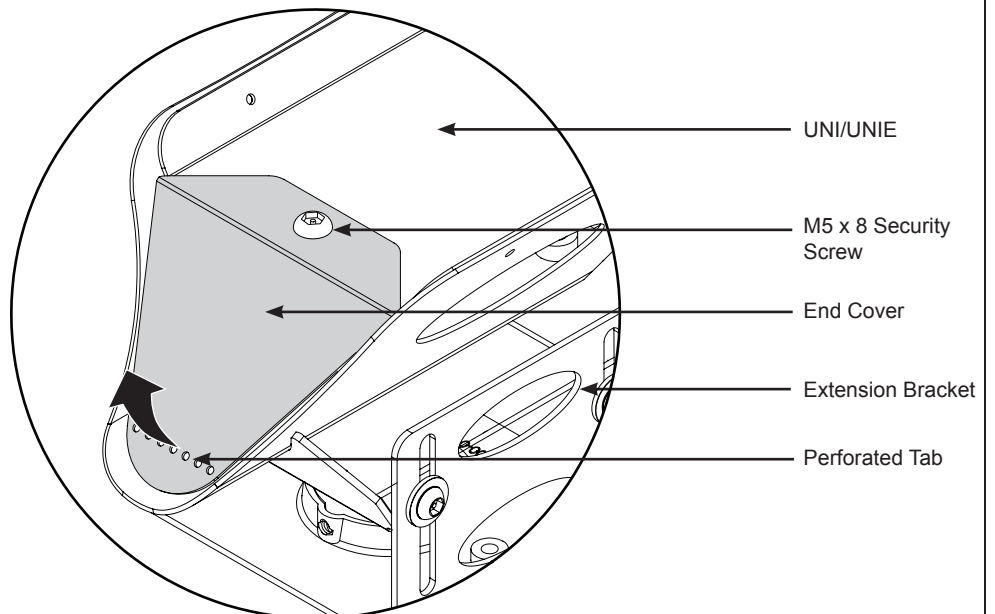
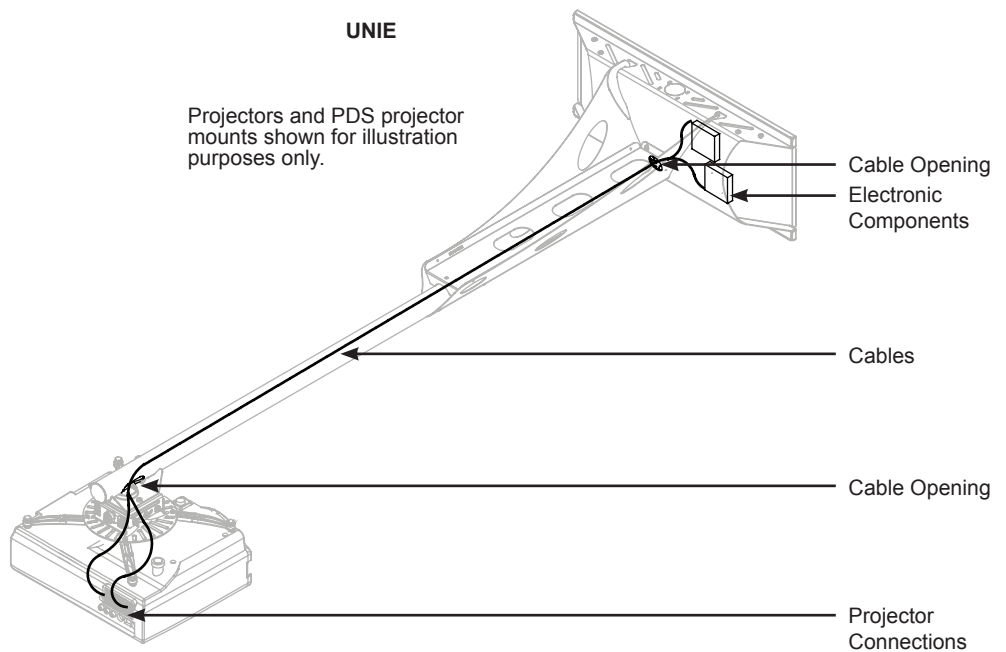
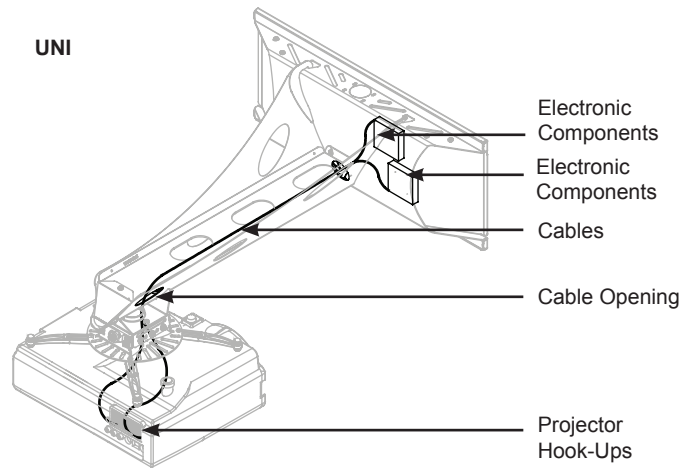


# Cable Management

- 1 The cable access holes are located at the end of the short throw mount and on the wall plate.
- 2 Route the cables through one end of the UNI/UNIE and out the other end.
- 3 Attach the end cover with an M5 x 8mm security head screw.



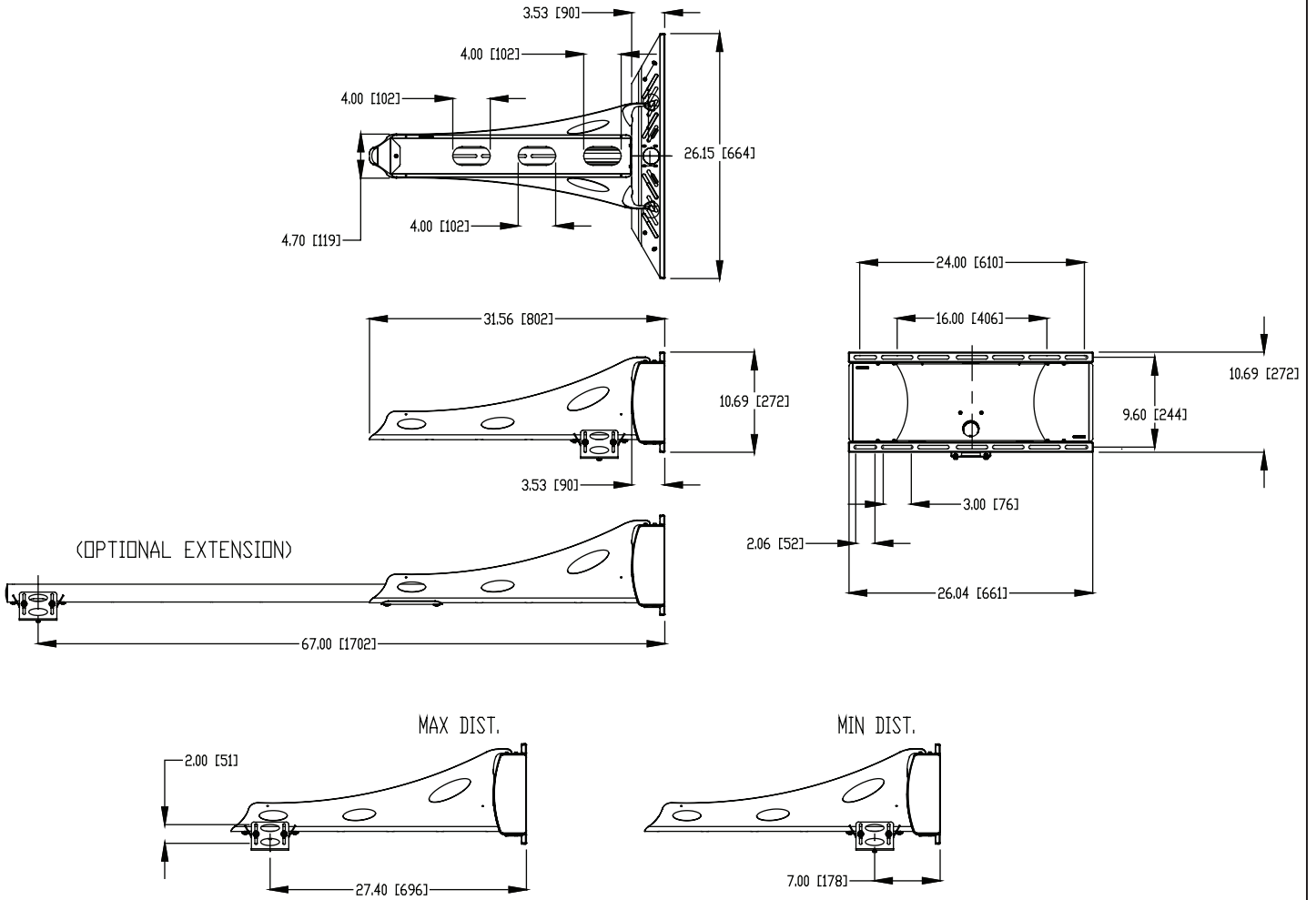
You may direct the cables out the end of the UNI/UNIE. The end cover has a perforated tab to allow cables to pass out the end. Pliers must be used to bend the perforated tab. If the cables will not fit, the end cover may be removed by loosening and extracting the M5 x 8mm security screw.





# Technical Specifications

All measurements are in inches(mm).





## Warranty

### PREMIER MOUNTS LIMITED LIFETIME WARRANTY

#### What and Who is Covered by this Limited Warranty and for How Long

Premier Mounts warrants this product to be free from defects in material and workmanship for the lifetime of the original owner of this product. The limited warranty is valid only for the original purchaser of the product.

#### What Premier Mounts Will Do

At the sole option of Premier Mounts, Premier Mounts will repair or replace any product or product part that is defective. If Premier Mounts chooses to replace a defective product or part, a replacement product or part will be shipped to you at no charge, but you must pay any labor costs.

#### What is Not Covered; Limitations

PREMIER MOUNTS DISCLAIMS ANY LIABILITY FOR DAMAGE TO MOUNTS, ADAPTERS, DISPLAYS, PROJECTORS, OTHER PROPERTY, OR PERSONAL INJURY RESULTING, IN WHOLE OR IN PART, FROM IMPROPER INSTALLATION, MODIFICATION, USE OR MISUSE OF ITS PRODUCTS.

PREMIER MOUNTS DISCLAIMS ALL OTHER WARRANTIES, EXPRESS OR IMPLIED, INCLUDING WARRANTIES OF MERCHANTABILITY AND FITNESS FOR A PARTICULAR PURPOSE. PREMIER MOUNTS IS NOT RESPONSIBLE FOR INCIDENTAL OR CONSEQUENTIAL DAMAGES, INCLUDING BUT NOT LIMITED TO, INABILITY TO USE ITS PRODUCTS OR LABOR COSTS FOR REMOVING AND REPLACING DEFECTIVE PRODUCTS OR PARTS. SOME STATES DO NOT ALLOW THE EXCLUSION OR LIMITATION OF INCIDENTAL OR CONSEQUENTIAL DAMAGES, SO THE ABOVE LIMITATION OR EXCLUSION MAY NOT APPLY TO YOU.

#### What Customers Must Do for Limited Warranty Service

If you discover a problem that you think may be covered by the warranty you MUST REPORT it in writing to the address below within thirty (30) days. Proof of purchase (an original sales receipt) from the original consumer purchaser must accompany all warranty claims. Warranty claims must also include a description of the problem, the purchaser's name, address, and telephone number. General inquiries can be addressed to Premier Mounts Customer Service at 1-800-368-9700. Warranty claims will not be accepted over the phone or by fax.

Premier Mounts  
Attn: Warranty Claim  
3130 East Miraloma Ave.  
Anaheim, CA 92806

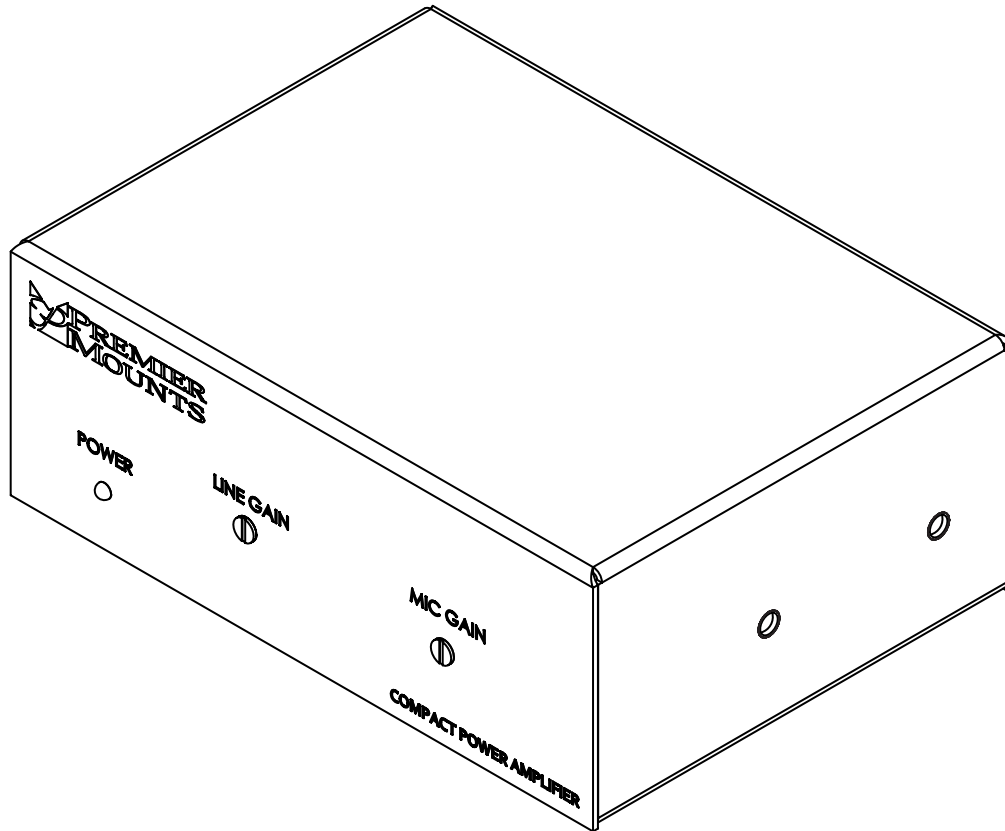
#### How State Law Applies

THIS WARRANTY GIVES YOU SPECIFIC LEGAL RIGHTS, AND YOU MAY ALSO HAVE OTHER RIGHTS WHICH VARY FROM STATE TO STATE.

## Disclaimer

Premier Mounts intends to make this manual accurate and complete. However, Premier Mounts makes no claim that the information contained herein covers all details, conditions or variations, nor does it provide for every possible contingency in connection with the installation or use of this product. The information contained in this document is subject to change without notice or obligation of any kind. Premier Mounts makes no representation of warranty, expressed or implied, regarding the information contained herein. Premier Mounts assumes no responsibility for accuracy, completeness or sufficiency of the information contained in this document.

## INSTALLATION INSTRUCTIONS



### CPA-50

Compact Power Amplifier

---

#### NORTH AMERICA

3130 East Miraloma Avenue  
Anaheim, CA 92806 USA

##### USA and Canada

Phone: 1.800.368.9700  
Fax: 1.800.832.4888

##### Other Locations

Phone: (001).714.632.7100  
Fax: (001).714.632.1044

#### EUROPE

Swallow House,  
Shilton Industrial Estate,  
Shilton, Coventry, England CV79JY

Phone: +44 (0) 2476 614700  
Fax: +44 (0) 2476 614710



# Contents

Warning Statements..... 2

Installation Tools..... 3

Parts List..... 3

Features..... 4

Installing the Compact Power Amplifier..... 5

    Introduction..... 5

    Wiring..... 5

    Installing the Power Amp..... 7

Setup..... 8

    Line Gain Control and Volume Setup..... 8

    Mic Gain Control Setup..... 9









Technical Specifications..... 9

Notes..... 10

Warranty..... 11

Disclaimer..... 11

## Warning Statements

-  Prior to the installation of this product, these installation instructions must be read and completely understood. Keep these installation instructions in an easily accessible location for future reference.
-  Proper installation procedure by a qualified service technician must be followed, as outlined in these installation instructions. Failure to do so could result in property damage, serious personal injury, or even death.
-  Safety measures must be practiced at all times during the assembly of this product. Use proper safety equipment and tools for the assembly procedure to prevent personal injury.
-  Premier Mounts does not warrant against damage caused by the use of any Premier Mounts product for purposes other than those for which it was designed or damage caused by unauthorized attachments or modifications, and is not responsible for any damages, claims, demands, suits, actions or causes of action of whatever kind resulting from, arising out of or in any manner relating to any such use, attachments or modifications.
-  Be aware of the mounting environment. If drilling and/or cutting into the mounting surface, always make sure that there are no electrical wires in wall. Cutting or drilling into an electrical line may cause serious personal injury.
-  Make sure there are no water or natural gas lines inside the wall where the mount is to be located. Cutting or drilling into a water or gas line may cause severe property damage or personal injury.
-  This product is intended for indoor use only. Use of this product outdoors could lead to product failure and/or serious personal injury.
-  Do not install near sources of high heat. Do not install on a structure that is prone to vibration, movement or chance of impact.


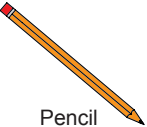
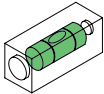


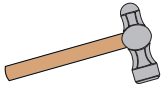


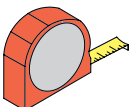
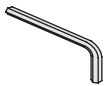



Contact Premier Mounts with any questions:  
 (800) 368-9700  
 techsupport@mounts.com



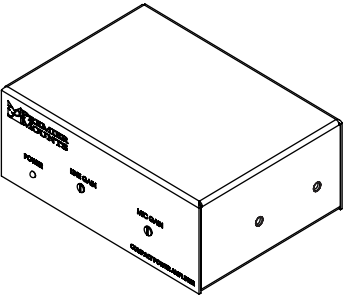





## Installation Tools

The following tools may be required depending upon your particular installation. They are not included.

 Hand Held Drill	 Pencil	 Level	 Protective Eyewear
 18 AWG Wire Stripper	 Hammer	 Ladder	 #1 Flat Blade Screwdriver
 Tape Measure	 M5 Security Allen Wrench	 #1 Phillips Tip Screwdriver	

## Parts List

Make sure your Premier Mounts product has the following hardware and components before beginning installation. If there are parts missing and/or damaged, stop the installation and call Premier Mounts at (800) 368-9700.

Amplifier Hardware			
 Compact Power Amp (Qty 1)	 AC Adapter (Qty 1)		
 AC Connector (Qty 1)	 4-Pin Captive Screw Plug (Qty 1)	 3-Pin Captive Screw Plug (Qty 1)	 Rubber Foot (Qty 4)

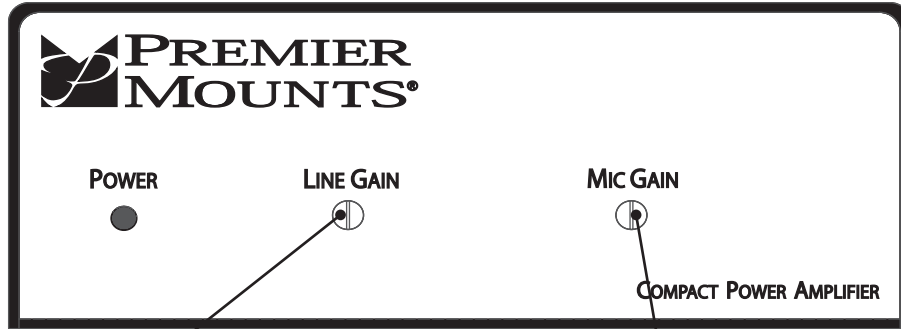


## Features

The CPA-50 compact power amplifier is designed to work with the GB-Audio or UNI series of short-throw projector arm mounts. The energy-efficient, 50W amp meets Energy Star® Class-D specifications and is perfect for a classroom or meeting room environment.

### Automatic Standby

Standby mode activates if no input signal is detected for 20 minutes.



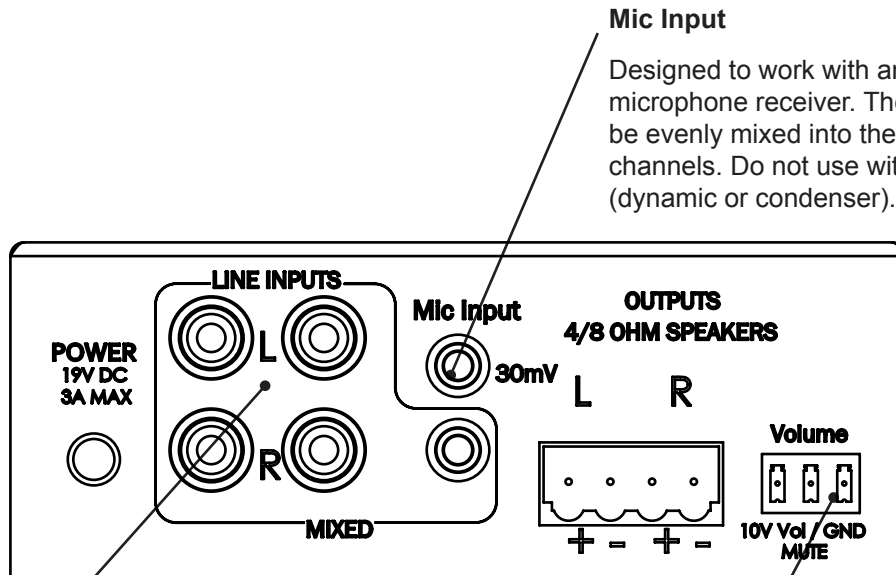
Front View

#### Line Gain

Use the Line Gain potentiometer on the front panel to control the gain on the mixed signal.

#### Mic Gain

Use the Mic Gain potentiometer on the front panel to control the gain on the mic signal.



Back View

#### Mic Input

Designed to work with an RF or IR wireless microphone receiver. The mono sound will be evenly mixed into the left and right amp channels. Do not use with wired microphones (dynamic or condenser).

#### Input Mixing

The CPA-50 has two line-level stereo inputs on RCA connectors plus one line-level stereo input on a 3.5mm mini-jack and one sub-line level (30 mV) mono microphone input on a 3.5mm mini-jack. Input switching is not needed. All signals are mixed inside the amp at a 1:1:1 ratio.

#### External Volume Control

You can plug in an optional 10k volume pot. The external volume control only adjusts the mixed line-level signals, not the mic signal.



# Installing the Compact Power Amplifier

## Introduction

The CPA-50 Amplifier is designed to complement Premier Mounts' On-Wall Speakers, Universal Short-Throw Projector Arm Mounts, Universal Digital Signage Mounts and GearBox™ Audio Mounts. All parts, metal plates, screws, and bolts that are required to complete the assembly are provided with the speakers. Please read through the safety instructions before installation.

**⚠** When wiring the + and - outputs, strip off the insulation from the speaker wires by 3/16". Make sure the speaker wire ends do not touch. Keep exposed wire ends short after stripping. If the speaker wires touch, they may short the amplifier.

Many subwoofer speaker-level crossovers connect the negative side to the ground. This setup will not work with the CPA-50 amplifier. Connect the subwoofer to the line-level signal instead.

## Wiring

### Step 1

**👉** Premier Mounts UNI-SPKR On-Wall Speakers (not included) come with the speaker wires pre-attached. Strip the speaker wires evenly and split the positive and negative wires first, if needed.

**?** If you are connecting the sound sources directly to the projector, follow the suggested Option A wiring diagram (Figure 1) for reference.

If you are connecting the sound sources directly to the CPA-50 Power Amp and are using the external volume control, follow the suggested Option B wiring diagram (Figure 2) and 10k Pot Volume Wiring Diagram (Figure 3) for reference.

Proceed to **Step 2** on page 6.

#### OPTION A

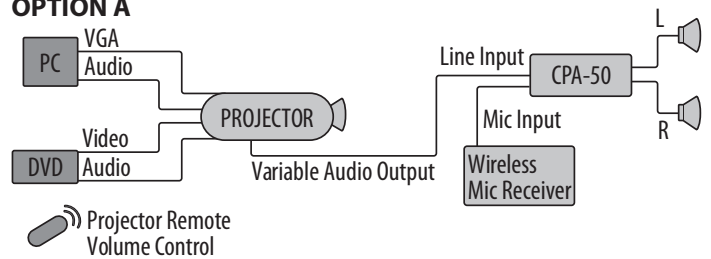


Figure 1

#### OPTION B

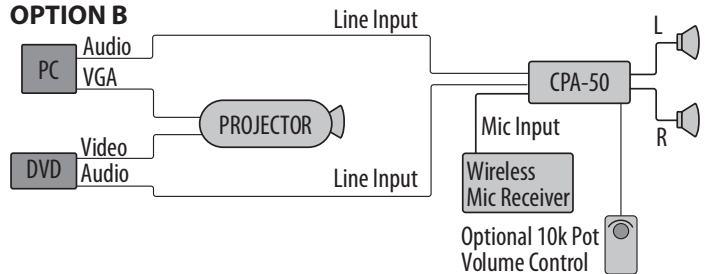


Figure 2

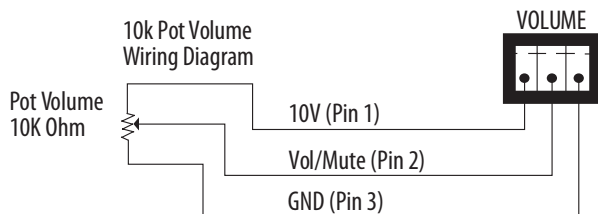


Figure 3



### Step 2

- 1 Use standard RCA connectors and/or 3.5mm mini-cables to connect the input devices (e.g., the projector, other audio sources) to the power amp.

Match the wiring polarity. For example, red for positive, black or white for negative.

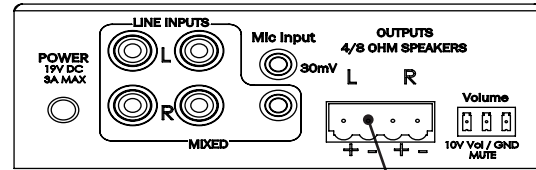
Make sure no wire strand bridges (shorts) the adjacent terminals.

- 2 Insert all four wires on each speaker into the blue 4-pin captive screw plug supplied with the power amp.

Use a #1 Phillips screwdriver to tighten the locking screws.

- 3 Insert the captive screw plug into the receptacle on the amp's rear panel (see drawing).

- 4 Attach the power amp plug to the amplifier.



Amp Receptacle for the Blue 4-Pin Captive Screw Plug

Do you need to wire the 10k pot volume?

If **Yes**, proceed to **Step 3** below.

If **No**, proceed to **“Installing the Power Amp”** on page 7.

### Step 3

When wiring the 10V, Vol/Mute and GND outputs, strip off the insulation from the external volume control wire by 3/16". Make sure the wire ends do not touch. Keep exposed wire ends short after stripping. If the wires touch, they may short the amp.

- 1 Follow the 10k Pot Volume Wiring Diagram to connect the external volume control to the amp (Figure 1).

- 2 Insert all three pins from the external volume control into the green 3-pin captive screw plug supplied with the amp (see drawing).



Use a #1 flat blade screwdriver to tighten the locking screws.

- 3 Insert the captive screw plug into the receptacle on the amp's rear panel (Figure 2).

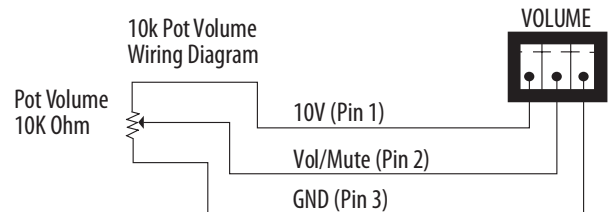


Figure 1

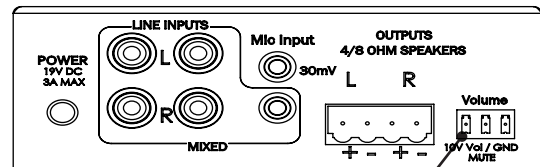


Figure 2

Amp Receptacle for the Green 3-Pin Captive Screw Plug



## Installing the Power Amp



These instructions assume the GearBox™ is attached to the wall. See installation instructions for the mount if needed. As another option, you may attach the amp to a rack. Optional feet are included for standalone installation.

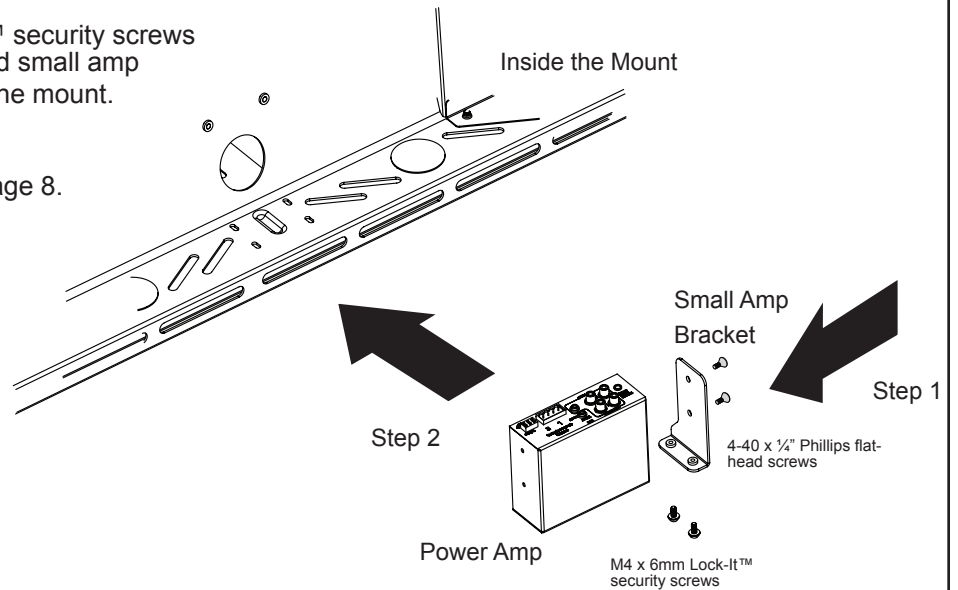
- 1 Use two (2) 4-40 x 1/4" Phillips flathead screws to attach the CPA-50 power amplifier to the small amp bracket.
- 2 Place the power amplifier inside the GearBox™ (see drawing).



The mounting bracket and screws are included with the UNI-SPKR On-Wall Speakers.

- 3 Use two (2) M4 x 6mm Lock-It™ security screws to attach the power amplifier and small amp bracket to the inside bottom of the mount.


Proceed to the "Setup" section on page 8.







## Setup

### Line Gain Control and Volume Setup

 The following instructions assume the GearBox™ and speaker system are mounted to a wall, and that the amp is plugged in. As another option, you may attach the amp to a rack. Optional feet are included for standalone installation.

 If you are using the Option A wiring method of installation on page 6, do the following:

- 1 Insert a #1 flat blade screwdriver through the GearBox™ slot to the Line Gain control.
- 2 To test the volume, use the screwdriver to gently turn the Line Gain control on the amp counter-clockwise to the end (Figure 1).
- 3 Turn Line Gain control clockwise 1/4 turn.
- 4 Play sound from the loudest audio source input on the projector to help adjust the amp volume.
- 5 Turn the Line Gain control on the amp clockwise slowly until the sound distorts.
- 6 Turn the Line Gain control counter-clockwise until the distortion disappears.
- 7 Adjust the projector volume until you reach the desired sound level.

 If you are using the Option B wiring method of installation on page 6, do the following:

- 1 Insert a #1 flat blade screwdriver through the GearBox™ slot to the Line Gain control.
- 2 To test the volume, use the screwdriver to gently turn the Line Gain control on the amp counter-clockwise to the end (Figure 1).
- 3 Turn the Line Gain control clockwise 1/4 turn.
- 4 Turn the 10k pot volume to the maximum level.
- 5 Play sound through all the audio inputs on the amp.
- 6 Choose the loudest audio source to help adjust the amp volume.
- 7 Turn the Line Gain control on the amp clockwise slowly until the sound distorts.
- 8 Turn the Line Gain control counter-clockwise until the distortion disappears.
- 9 Adjust the 10k pot volume until you reach the desired sound level.

After setting up the Line Gain, let the sound continue to play and proceed to the “**Mic Gain Setup**” section on page 9.

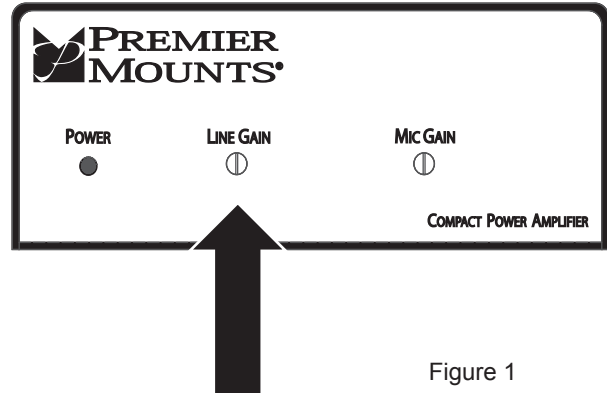


Figure 1



## Mic Gain Control Setup

- 1 Attach a microphone device to the amp input.
- Make sure the mic is turned on.
- 2 Insert a #1 flat blade screwdriver through the GearBox™ slot to the Mic Gain control.
- 3 Use the screwdriver to gently turn the Mic Gain control on the amp counter-clockwise to the end (Figure 1).
- 4 Turn on the mic receiver, if applicable.
- 5 Have someone stand in the desired presentation location and speak into the mic.
- 6 Turn the Mic Gain control clockwise until you reach the desired sound level.
- 7 Test feedback by having someone walk around the room and speak into the mic.
- Is there feedback coming from the mic?  
If **Yes**, turn the Mic Gain control counter-clockwise until the feedback is gone.  
If **No**, continue to step 8.
- 8 Play music through the amp as you test the mic.
- Is the music too loud compared to the voice on the mic?  
If **Yes**, turn the Line Gain control counter-clockwise until you reach the desired sound balance.  
If **No**, you have finished installation.

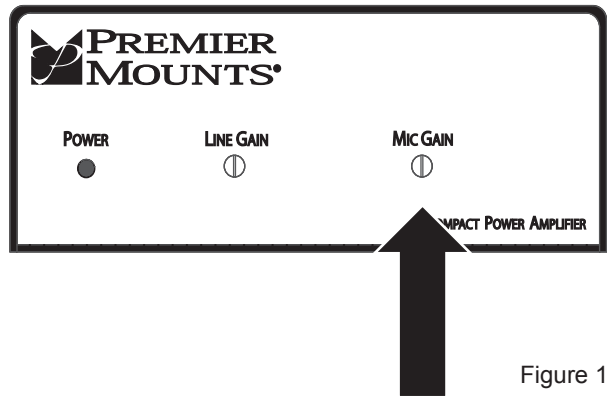
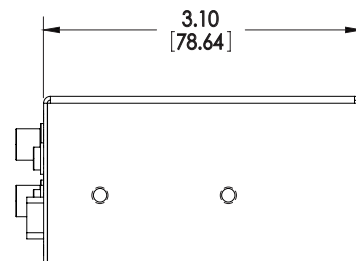
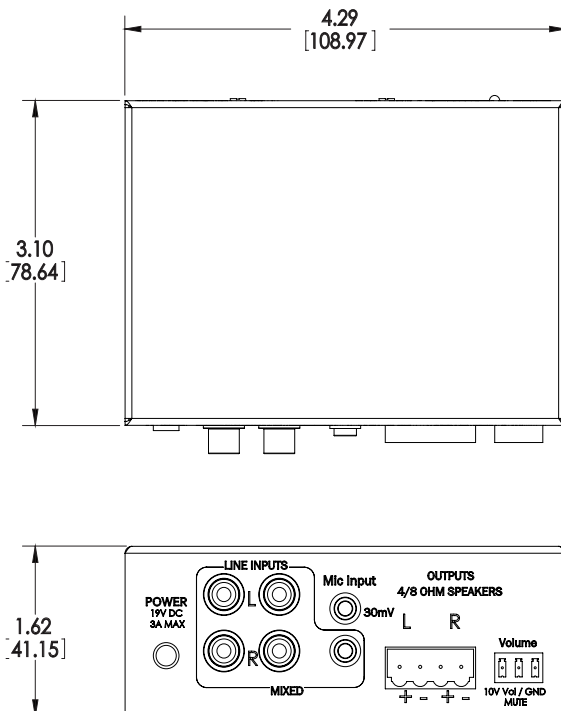


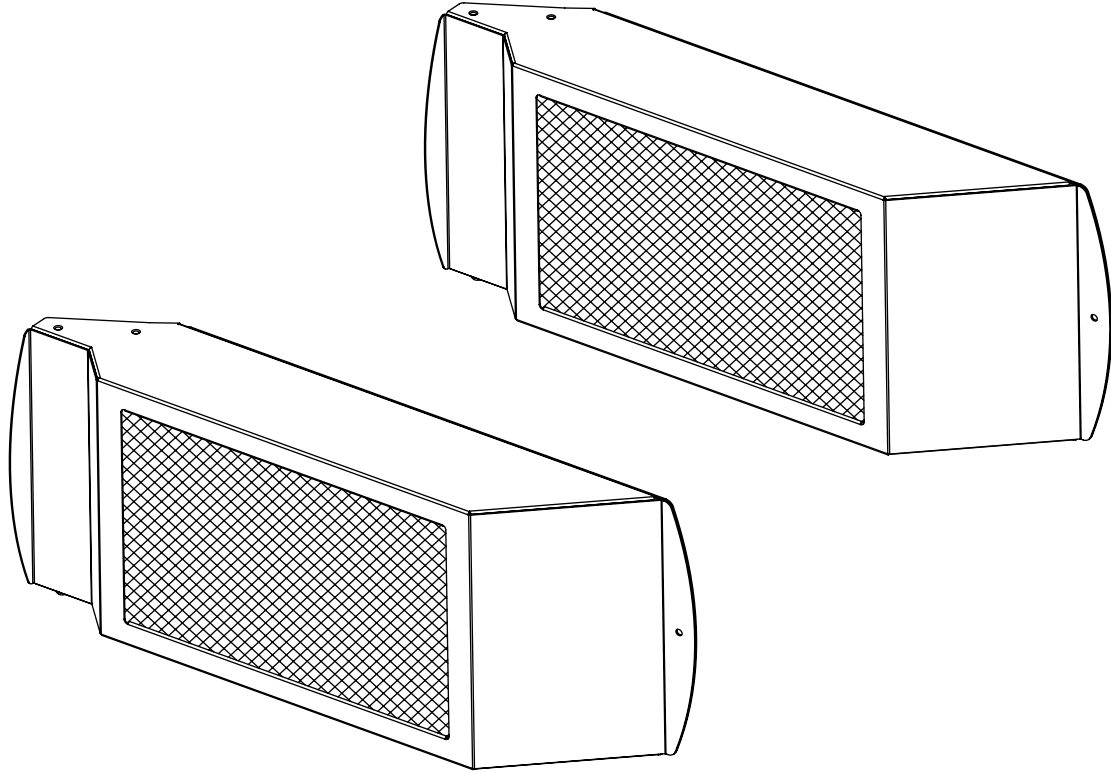
Figure 1

## Technical Specifications

All measurements are in inches(mm).



## INSTALLATION INSTRUCTIONS



### UNI-SPKR/UNI-SPKRB

On-Wall Speakers

---

#### **NORTH AMERICA**

3130 East Miraloma Avenue  
Anaheim, CA 92806 USA

USA and Canada

Phone: 1.800.368.9700  
Fax: 1.800.832.4888

Other Locations

Phone: (001).714.632.7100  
Fax: (001).714.632.1044

#### **EUROPE**

Swallow House,  
Shilton Industrial Estate,  
Shilton, Coventry, England CV79JY

Phone: +44 (0) 2476 614700  
Fax: +44 (0) 2476 614710



## Contents

Warning Statements ..... 2

Installation Tools ..... 3

Parts List ..... 3

Features ..... 4

Installing the On-Wall Speakers ..... 5

    Introduction ..... 5

    Wiring ..... 5

    Installing the Power Amp (sold separately) ..... 7

    Attaching Speakers to the GearBox™ ..... 7

    Aiming the Speakers (optional) ..... 8

Technical Specifications ..... 9

Warranty ..... 10

Disclaimer ..... 10

## Warning Statements



Prior to the installation of this product, these installation instructions must be read and completely understood. Keep these installation instructions in an easily accessible location for future reference.



Proper installation procedure by a qualified service technician must be followed, as outlined in these installation instructions. Failure to do so could result in property damage, serious personal injury, or even death.



Safety measures must be practiced at all times during the assembly of this product. Use proper safety equipment and tools for the assembly procedure to prevent personal injury.



Premier Mounts does not warrant against damage caused by the use of any Premier Mounts product for purposes other than those for which it was designed or damage caused by unauthorized attachments or modifications, and is not responsible for any damages, claims, demands, suits, actions or causes of action of whatever kind resulting from, arising out of or in any manner relating to any such use, attachments or modifications.



At least two qualified people should perform the assembly procedure. Personal injury and/or property damage can result from dropping or mishandling your electronic equipment.



Be aware of the mounting environment. If drilling and/or cutting into the mounting surface, always make sure that there are no electrical wires in the wall. Cutting or drilling into an electrical line may cause serious personal injury.



Make sure there are no water or natural gas lines inside the wall where the mount is to be located. Cutting or drilling into a water or gas line may cause severe property damage or personal injury.



This product is intended for indoor use only. Use of this product outdoors could lead to product failure and/or serious personal injury.



Do not install near sources of high heat. Do not install on a structure that is prone to vibration, movement or chance of impact.


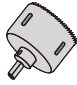
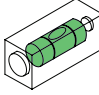
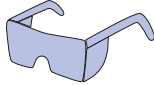

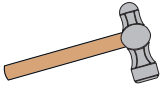



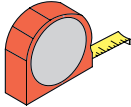
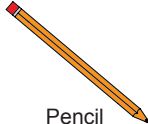


Contact Premier Mounts with any questions:  
(800) 368-9700  
techsupport@mounts.com



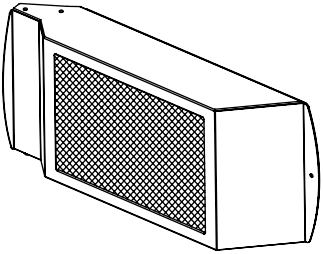
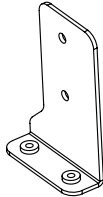

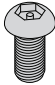

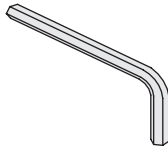
## Installation Tools

The following tools may be required depending upon your particular installation. They are not included.

 Hand Held Drill	 3/8" Drill Bit	 Level	 Protective Eyewear
 18 AWG Wire Stripper	 Hammer	 Ladder	 #1 Phillips Tip Screwdriver
 #2 Phillips Tip Screwdriver	 Tape Measure	 Pencil	

## Parts List

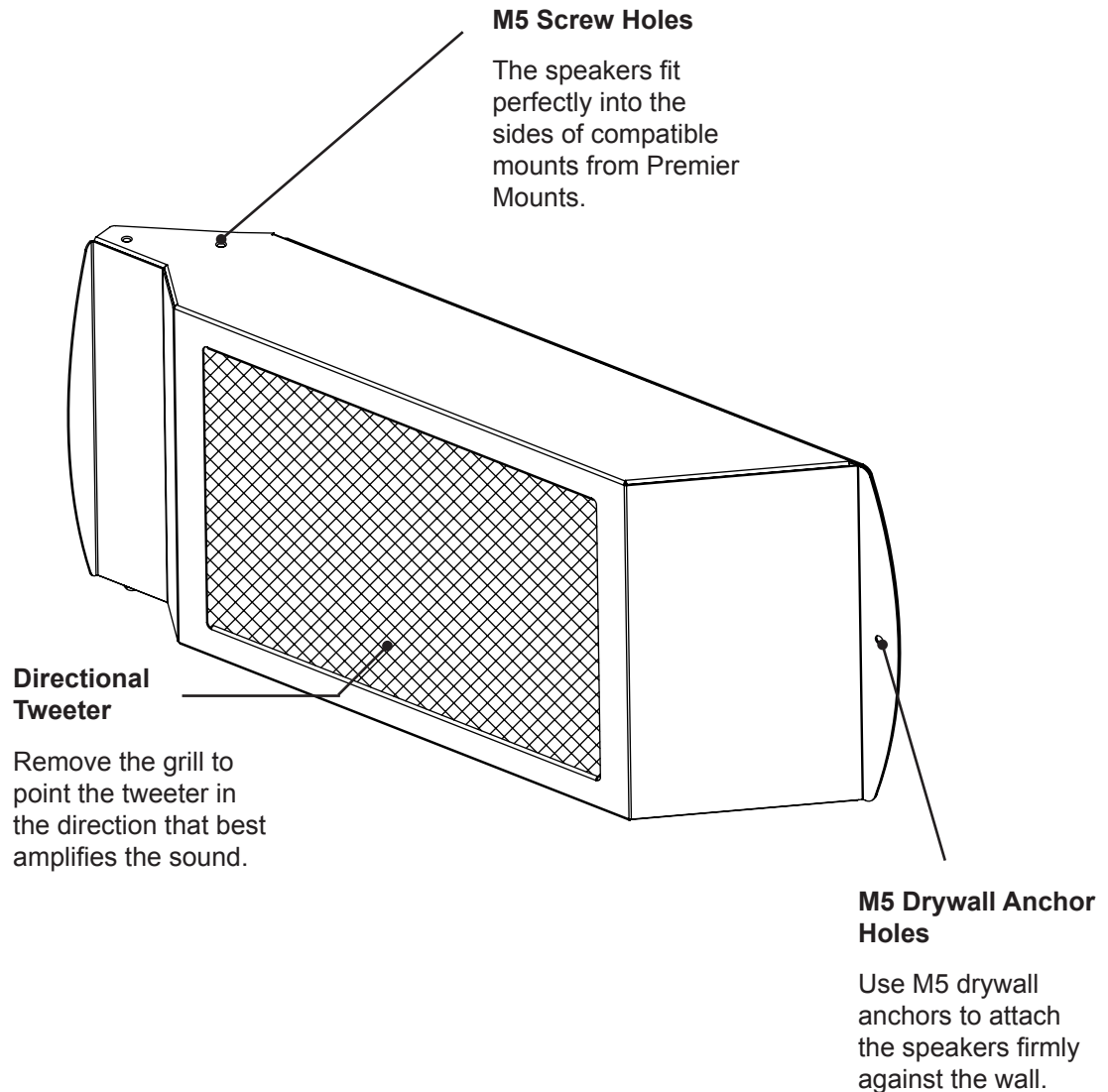
Make sure your Premier Mounts product has the following hardware and components before beginning installation. If there are parts missing and/or damaged, stop the installation and call Premier Mounts at (800) 368-9700.

Speaker Hardware			
 On-Wall Speaker (Qty 2)		 CPA-50 Compact Power Amp Support Bracket (Qty 1)	
 M5 Drywall Anchors (Qty 2)	 M4 x 6mm Lock-It™ Security Screw (Qty 2)	 4-40 x 1/4" Phillips Flathead Screw (Qty 2)	 M5 Security Allen Wrench (Qty 1)



## Features

The UNI-SPKR bundle provides the perfect audio solution for a classroom or meeting room environment. With 5.25" woofers and directional tweeters, the two 80/100W speakers deliver clear, dynamic sound for all purposes, including lectures and multimedia presentations. The on-wall speaker enclosures are tuned and ported before they leave the factory. UNI-SPKR fits into the Premier Mounts GearBox™ Audio Mount or UNI series of short-throw projector arm mounts.





## Installing the On-Wall Speakers

### Introduction

The Premier Mounts On-Wall Speakers are designed for use with Premier Mounts' Universal Short-Throw Projector Arm Mounts, Universal Digital Signage Mounts and GearBox™ Audio Mounts. All parts, metal plates, screws, and bolts required to complete the assembly are provided with the speakers. Please read through the safety instructions before installation.



The CPA-50 Compact Power Amp is sold separately.

### Wiring

#### Step 1



Strip the speaker wires evenly and split the positive and negative wires first, if needed. Keep exposed wire ends short after stripping. If the speaker wires touch, they may short the amplifier.



If you are connecting the sound sources directly to the projector, follow the suggested Option A wiring diagram (Figure 1) for reference.

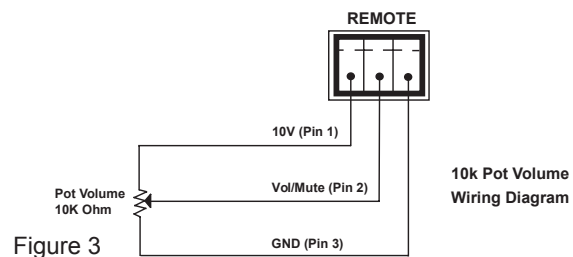
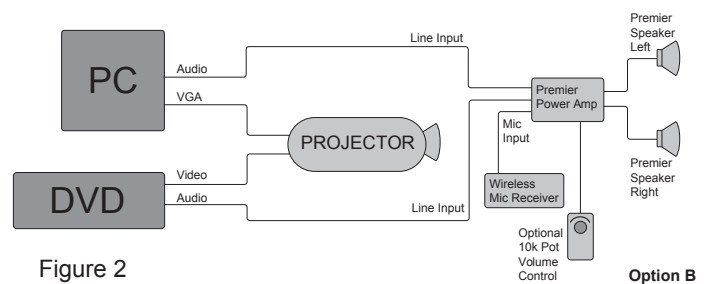
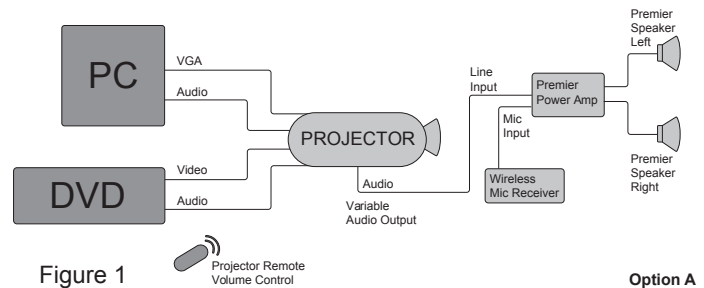
If you are connecting the sound sources directly to the CPA-50 Power Amp and are using the external volume control, follow the suggested Option B wiring diagram (Figure 2) and 10k Pot Volume Diagram (Figure 3) for reference.



Are you replacing the speaker wires?

If **Yes**, continue to **Step 2** on page 6.


If **No**, go to **Step 3** on page 6.




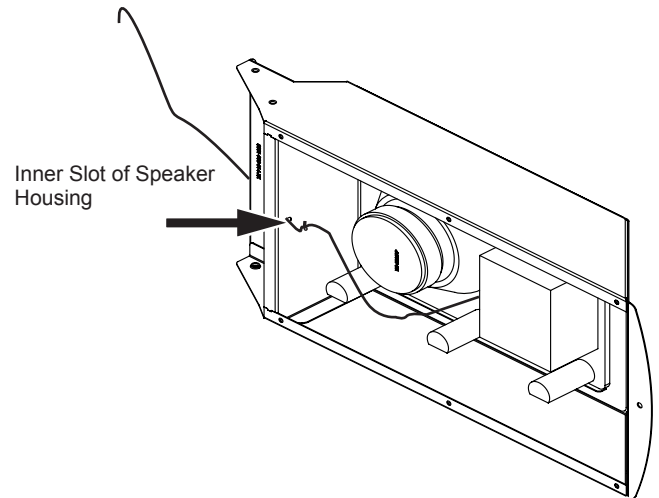
**Step 2**




The UNI-SPKR kit comes with 18 AWG speaker wires pre-installed. If you would like to replace the wires, follow these instructions.

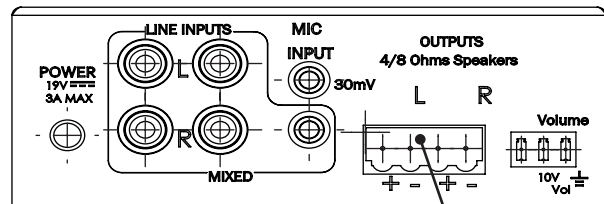
- 1 Remove the six (6) 4-40 x 1/4" Phillips flathead screws from each back cover of the speakers.
- 2 Remove the back covers, gaskets and old wires from the speakers.
- 3 Use an 18 AWG wire stripper to strip off the insulation from the new speaker wires by 3/16".
- 4 For each new wire, twist the ends of the wire strands together.
- 5 Attach the new speaker wires to the speaker terminals.
- 6 Knot each pair of speaker wires just inside the inner slots in the speaker housing.
- 6 Thread the wires through the inner slots of the speaker housing (see drawing).
- 7 Re-attach the gaskets and back covers with the back cover screws.

 This will prevent the wires from accidentally pulling out when you attach them to the amp.

 Do not overtighten the back cover screws.

**Step 3**

- 1 Insert the four wires from the speakers into the blue 4-pin captive screw plug supplied with the power amp.
  -  Use a #1 Phillips screwdriver to tighten the locking screws.
  -  Match the wiring polarity. For example, red for positive, black or white for negative.
  -  Make sure no wire strand bridges (shorts) the adjacent terminals.
- 2 Insert the captive screw plug into the receptacle on the amp's rear panel (see drawing).



Amp Receptacle for the Captive Screw Plug

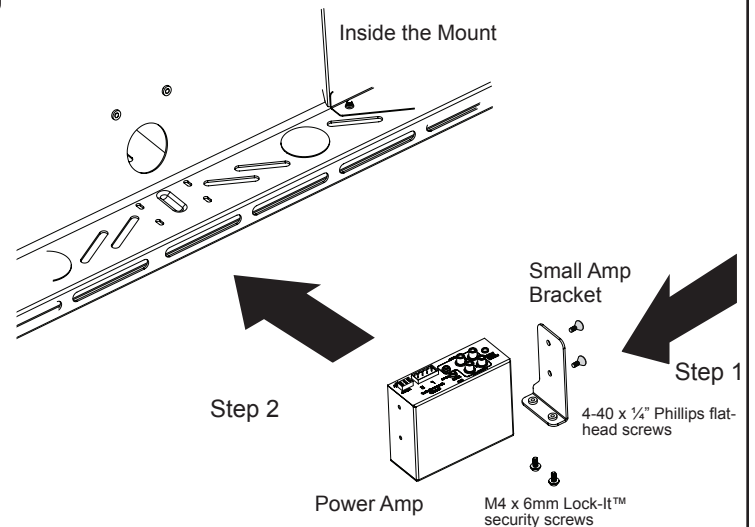
Proceed to the **"Installing the Power Amp (sold separately)"** section.



## Installing the Power Amp (sold separately)


- 1 Use two (2) 4-40 x 1/4" Phillips flathead screws to attach the CPA-50 power amplifier to the small amp bracket.
- 2 Place the power amplifier inside the GearBox™ (see drawing).
- 3 Use two (2) M4 x 6mm Lock-It™ security screws to attach the power amplifier and small amp bracket to the inside bottom of the mount.
- 4 Attach the power amp plug to the amplifier.

Proceed to the "Attaching Speakers to the GearBox™" section below.

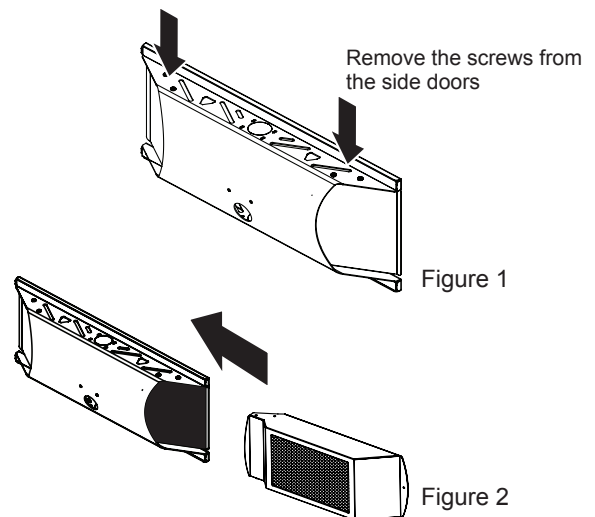


## Attaching Speakers to the GearBox™

### Step 1


 These instructions assume the GearBox™ mount is attached to the wall. See installation instructions for the mount if needed.

- 1 Remove the (4) M5 x 8mm security head screws from the side doors on the mount's wall plate (Figure 1).
- 2 Remove the side doors.
- 3 Insert the speakers into the sides of the mount (Figure 2).



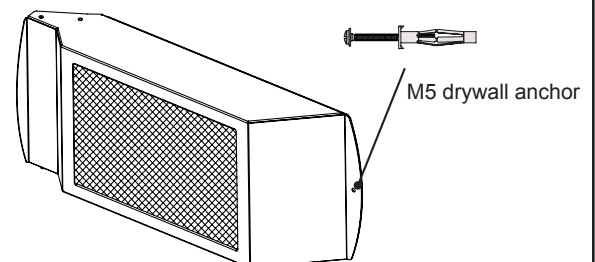
### Step 2

- 1 Mark the holes on the outside edges of the mount's speakers where you will drill the drywall.



 The holes are for attaching M5 drywall anchors.

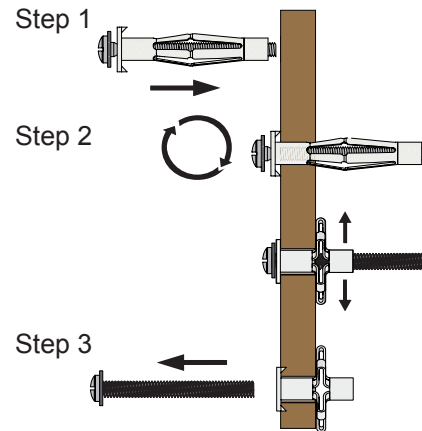
- 2 Remove the speakers.
- 3 Drill the drywall using a 3/8" drill bit where you made the marks.

Proceed to **Step 3** on page 8.



**Step 3**




- 1 Insert and lightly hammer in two (2) M5 drywall anchors into the drilled holes (see drawing).
  - 2 Use a Phillips screwdriver to tighten each drywall anchor until the legs have completely compressed against the back of the wall.
-  Do not overtighten the drywall anchor.
- 3 Remove the drywall anchor screws and set them aside.
  - 4 Return the speakers to their original position on the wall so that the outer speaker holes align with the drywall anchor sleeves.
  - 5 Insert the drywall anchor screws into an outer speaker hole and a drywall anchor sleeve.
  - 6 Use a #2 Phillips screwdriver to tighten each drywall anchor screw until it is snug.
-  Do not overtighten the drywall anchor screws.
- 7 Use the (4) M5 x 8mm security head screws from the side doors to attach the speakers to the mount.



Proceed to the “**Aiming the Speakers**” section below.

**Aiming the Speakers (optional)**

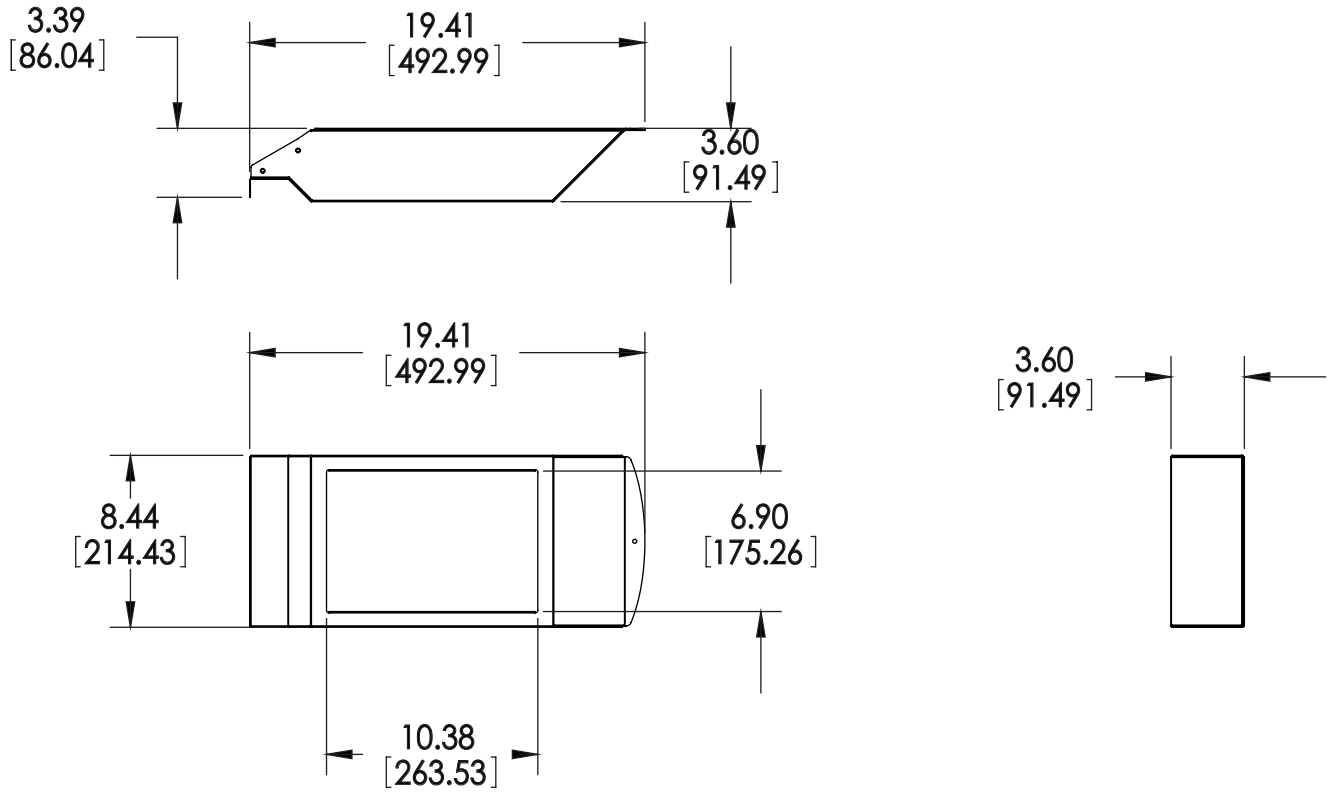
The speaker tweeters by default are set to the center position. Centered tweeters are ideal for most room configurations. If you want to adjust the tweeter alignment, see the instructions below.

- 1 Bend a paper clip into a hook.
  - 2 Gently hook one of the grill holes at the corner of a speaker.
  - 3 Pull the grill out with the hook.
  - 4 Place your thumbs on the opposite edges of the tweeter.
  - 5 Push an edge of the tweeter to the desired direction.
-  For example, aim the tweeter towards the middle seat of the last row in the classroom or conference room.
- 6 Repeat steps 1-5 for the other speaker.
  - 7 Play audio at the desired sound volume through the speakers.
  - 8 Walk around the room and note if there are significant sound differences in different places.
-  Is the sound level in the front of the room much louder than the back of the room?
- If **Yes**, tilt the tweeters slightly higher.
- If **No**, continue to the next question.
-  Is the sound unclear from the sides of the room?
- If **Yes**, slightly pan the tweeters outward.
- If **No**, continue to step 9.
- 9 When you are satisfied with the sound, re-attach the speaker grills.



## Technical Specifications

All measurements are in inches [mm].





## Warranty

### PREMIER MOUNTS LIMITED 3-YEAR LIMITED WARRANTY

#### What and Who is Covered by this Limited 3-Year Warranty and for How Long

Premier Mounts warrants this product to be free from defects in material and workmanship for three years after the purchase of this product. The limited warranty is valid only for the original purchaser of the product.

#### What Premier Mounts Will Do

At the sole option of Premier Mounts, Premier Mounts will repair or replace any product or product part that is defective. If Premier Mounts chooses to replace a defective product or part, a replacement product or part will be shipped to you at no charge, but you must pay any labor costs.

#### What is Not Covered; Limitations

PREMIER MOUNTS DISCLAIMS ANY LIABILITY FOR DAMAGE TO MOUNTS, ADAPTERS, DISPLAYS, PROJECTORS, OTHER PROPERTY, OR PERSONAL INJURY RESULTING, IN WHOLE OR IN PART, FROM IMPROPER INSTALLATION, MODIFICATION, USE OR MISUSE OF ITS PRODUCTS.

PREMIER MOUNTS DISCLAIMS ALL OTHER WARRANTIES, EXPRESS OR IMPLIED, INCLUDING WARRANTIES OF MERCHANTABILITY AND FITNESS FOR A PARTICULAR PURPOSE. PREMIER MOUNTS IS NOT RESPONSIBLE FOR INCIDENTAL OR CONSEQUENTIAL DAMAGES, INCLUDING BUT NOT LIMITED TO, INABILITY TO USE ITS PRODUCTS OR LABOR COSTS FOR REMOVING AND REPLACING DEFECTIVE PRODUCTS OR PARTS. SOME STATES DO NOT ALLOW THE EXCLUSION OR LIMITATION OF INCIDENTAL OR CONSEQUENTIAL DAMAGES, SO THE ABOVE LIMITATION OR EXCLUSION MAY NOT APPLY TO YOU.

#### What Customers Must Do for Limited Warranty Service

If you discover a problem that you think may be covered by the warranty you MUST REPORT it in writing to the address below within thirty (30) days. Proof of purchase (an original sales receipt) from the original consumer purchaser must accompany all warranty claims. Warranty claims must also include a description of the problem, the purchaser's name, address, and telephone number. General inquiries can be addressed to Premier Mounts Customer Service at 1-800-368-9700. Warranty claims will not be accepted over the phone or by fax.

Premier Mounts  
Attn: Warranty Claim  
3130 East Miraloma Ave.  
Anaheim, CA 92806

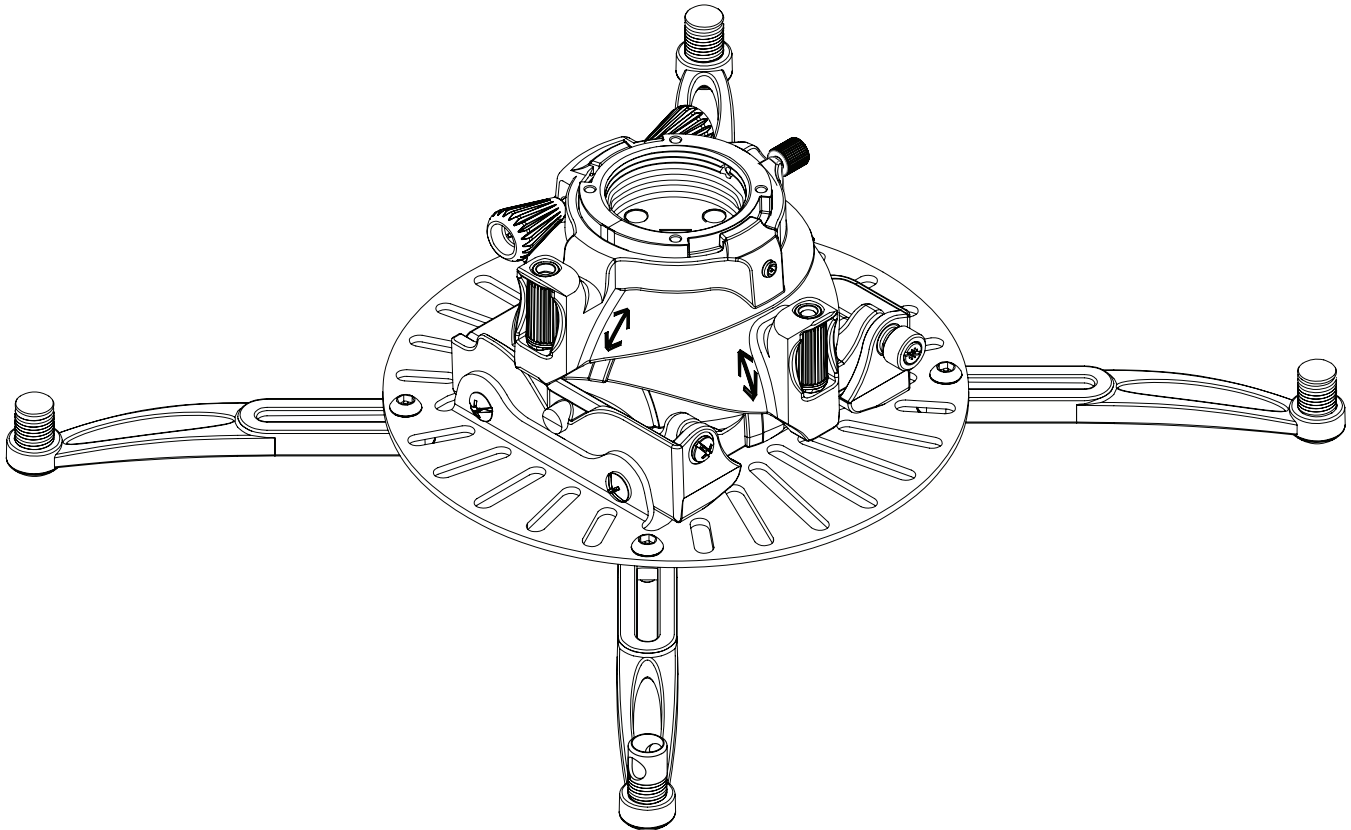
#### How State Law Applies

THIS WARRANTY GIVES YOU SPECIFIC LEGAL RIGHTS, AND YOU MAY ALSO HAVE OTHER RIGHTS WHICH VARY FROM STATE TO STATE.

## Disclaimer

Premier Mounts intends to make this manual accurate and complete. However, Premier Mounts makes no claim that the information contained herein covers all details, conditions or variations, nor does it provide for every possible contingency in connection with the installation or use of this product. The information contained in this document is subject to change without notice or obligation of any kind. Premier Mounts makes no representation of warranty, expressed or implied, regarding the information contained herein. Premier Mounts assumes no responsibility for accuracy, completeness or sufficiency of the information contained in this document.

## INSTALLATION INSTRUCTIONS



### Fine Tune Projector Mount

Model: FTP / FTPW

---

#### **NORTH AMERICA**

3130 East Miraloma Avenue  
Anaheim, CA 92806 USA  
USA and Canada  
Phone: 1.800.368.9700  
Fax: 1.800.832.4888  
Other Locations  
Phone: (001).714.632.7100  
Fax: (001).714.632.1044

#### **EUROPE**

Swallow House,  
Shilton Industrial Estate,  
Shilton, Coventry, England CV79JY  
Phone: +44 (0) 2476 614700  
Fax: +44 (0) 2476 614710



## Contents

Weight Limit.....	2
Warning Statements.....	2
Installation Tools.....	3
Parts List.....	3
Mounting Hardware.....	4
Lock-It™ Security Hardware Pack.....	4
Features.....	5
Installing the Fine Tune Projector Mount.....	6
Introduction.....	6
Pipe Installation.....	6
Wood Stud Installation.....	8
Attaching the Universal Projector Plate.....	10
Selecting the Mounting Hardware.....	10
Multiple Mount Point Installation.....	11
Single Mount Point Installation.....	13
Securing the Quick Set Base.....	14
Attaching the Projector to the Mount.....	14
Alignment & Fine-Tuning.....	15
Locking in the Adjustments.....	16
Securing the Fine Tune Projector Mount.....	16
Technical Specifications.....	17
Warranty.....	18
Disclaimer.....	18

## Weight Limit

Maximum Projector Weight: **65 lbs.**

THE CEILING STRUCTURE MUST BE CAPABLE OF SUPPORTING AT LEAST FIVE TIMES THE WEIGHT OF THE PROJECTOR. IF NOT, THE CEILING STRUCTURE MUST BE REINFORCED.

## Warning Statements



PRIOR TO THE INSTALLATION OF THIS PRODUCT, THE INSTALLATION INSTRUCTIONS MUST BE READ AND COMPLETELY UNDERSTOOD. KEEP THESE INSTALLATION INSTRUCTIONS IN AN EASILY ACCESSIBLE LOCATION FOR FUTURE REFERENCE.



PROPER INSTALLATION PROCEDURE BY A QUALIFIED SERVICE TECHNICIAN MUST BE FOLLOWED, AS OUTLINED IN THESE INSTALLATION INSTRUCTIONS. FAILURE TO DO SO COULD RESULT IN PROPERTY DAMAGE, SERIOUS PERSONAL INJURY, OR EVEN DEATH.



SAFETY MEASURES MUST BE PRACTICED AT ALL TIMES DURING THE ASSEMBLY OF THIS PRODUCT. USE PROPER SAFETY EQUIPMENT AND TOOLS FOR THE ASSEMBLY PROCEDURE TO PREVENT PERSONAL INJURY.



PREMIER MOUNTS DOES NOT WARRANT AGAINST DAMAGE CAUSED BY THE USE OF ANY PREMIER MOUNTS PRODUCT FOR PURPOSES OTHER THAN THOSE FOR WHICH IT WAS DESIGNED OR DAMAGE CAUSED BY UNAUTHORIZED ATTACHMENTS OR MODIFICATIONS, AND IS NOT RESPONSIBLE FOR ANY DAMAGES, CLAIMS, DEMANDS, SUITS, ACTIONS OR CAUSES OF ACTION OF WHATEVER KIND RESULTING FROM, ARISING OUT OF OR IN ANY MANNER RELATING TO ANY SUCH USE, ATTACHMENTS OR MODIFICATIONS.



At least two qualified people should perform the assembly procedure. Personal injury and/or property damage can result from dropping or mishandling the projector.



If mounting to wall studs or ceiling studs, make sure that the mounting screws are anchored into the center of the wall studs or ceiling studs. Use of an edge-to-edge stud finder is recommended.



Be aware of the mounting environment. If drilling and/or cutting into the mounting surface, always make sure that there are no electrical wires in wall. Cutting or drilling into an electrical line may cause serious personal injury.



Make sure there are no water or natural gas lines inside the wall where the mount is to be located. Cutting or drilling into a water or gas line may cause severe property damage or personal injury.



This product is intended for indoor use only. Use of this product outdoors could lead to product failure and/or serious personal injury.



Do not install near sources of high heat. Do not install on a structure that is prone to vibration, movement or chance of impact.



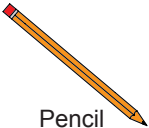
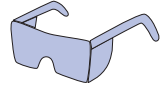
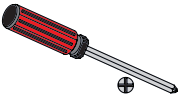

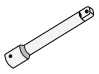
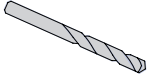
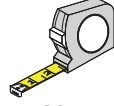



Contact Premier Mounts with any questions:  
(800) 368-9700  
techsupport@mounts.com



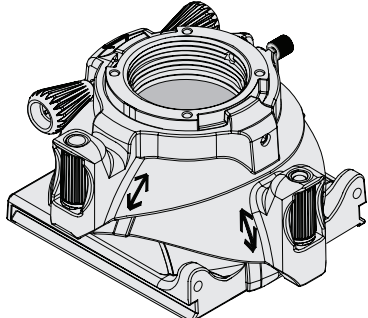
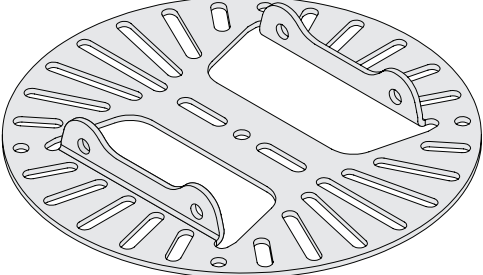
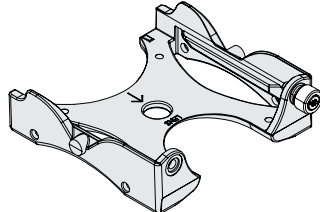
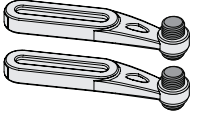
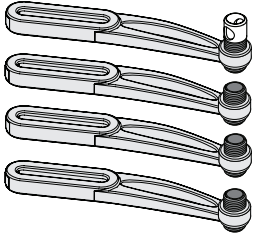

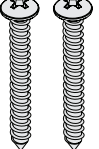
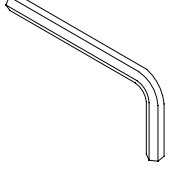

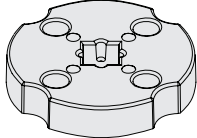

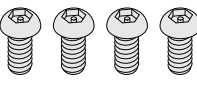
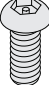
## Installation Tools

The following tools may be required depending upon your particular installation. They are not included..

				
Electronic Stud Finder	Hand Held Drill	Pencil	Protective Eyewear	Phillips Tip Screwdriver
				
Socket Wrench	Socket Wrench Extension	1/8" Wood Drill Bit	Tape Measure	Ladder

## Parts List

Make sure your Premier Mounts product has the following hardware and components before beginning installation. If there are parts missing and/or damaged, stop the installation and call Premier Mounts at (800) 368-9700.

Fine Tune Projector Mount Hardware			
			
FTP Dome (Qty 1)	Universal Projector Plate (Qty 1)		
			
Quick Set Base (Qty 1)	Mounting Legs - Short (Qty 2)	Mounting Legs - Long (pre-installed) (Qty 4)	Barrel Caps (Qty 6)
Fine Tune Projector Base Box Mounting Hardware			
			
#14 x 3" Wood Screws (Qty 2)	M5 Allen Wrench (Qty 1)	M3 Security Allen Wrench (Qty 1)	Installation Disk (Qty 1)
			
M6 x 6mm Security Set Screw (Qty 1)	M6 x 8mm Security Screw (Qty 4)		M5 x 12mm Security Screw (Qty 1)



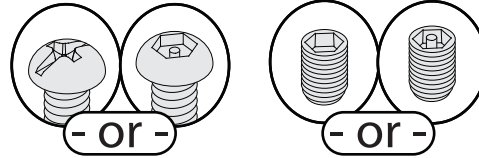
Parts List (cont'd)

Mounting Hardware

Lock-It™ Security Hardware Pack

Your Premier Mounts Fine Tune Projector Mount comes with the option of using Lock-It™ Security Screws. Simply replace any of the Phillips head screws with the corresponding sized Lock-It™ Security Screws and tighten using the appropriate size Allen wrench.

When you see the graphics below associated with a step, you have the option of using the standard mounting hardware or the Lock-It Security hardware.



Standard Hardware	
M2.5 x 10mm Screw (Qty 4)	
M2.5 x 12mm Screw (Qty 4)	
M3 x 16mm Screw (Qty 4)	
M3 Flat Washer (Qty 10)	
M4 x 10mm Screw (Qty 4)	
M4 x 12mm Screw (Qty 4)	
M5 x 12mm Screw (Qty 4)	
M6 x 12mm Screw (Qty 4)	
1/4-20 x 5/16" Screw (Qty 1)	

Lock-It™ Security Hardware	
M2.5 x 10mm Security Screw (Qty 4)	
M2.5 x 12mm Security Screw (Qty 4)	
M3 x 16mm Security Screw (Qty 4)	
M3 Flat Washer (Qty 10)	
M4 x 10mm Security Screw (Qty 4)	
M4 x 12mm Security Screw (Qty 4)	
M5 x 12mm Security Screw (Qty 4)	
M6 x 12mm Security Screw (Qty 8)	
1/4-20 x 5/16" Security Screw (Qty 1)	



## Features

### Multiple Mounting Options

You can install your Fine Tune Projector mount to 1½" NPT pipe or a ceiling stud.

### Lock-It™ Security Hardware

Protect your projector by installing specialized hardware at critical mounting points.

### Mounting Legs

Both long and short mounting legs, combined with the numerous Universal Projector Plate Mounting Slots, allow for near infinite mount configurations.

### Mounting Slots

Allows you to choose from a variety of mounting options and projector mount-point configurations.

### Installation Disk

Versatile tool allows you to rapidly install your Fine Tune Projector mount on to 1½" NPT pipe by using a socket wrench and socket wrench extension, or you can use it as a mounting bracket for ceiling stud installation.

### Adjustable Leveling Barrels

You can quickly level the mounting legs without any specialized tools.

### Fine-Tune Controls

Without needing any tools to loosen mounting hardware, you can adjust:  
 Roll up to 5° to either side.  
 Pitch up to 15° down and 5° up.  
 Yaw up to 20° left and right.

### Security Leveling Barrel

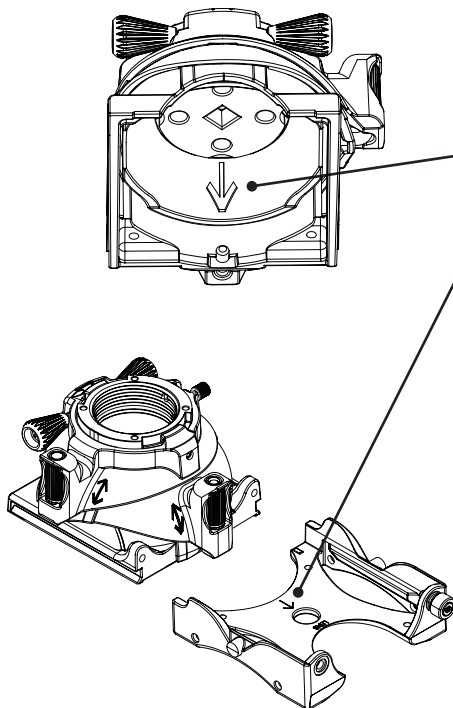
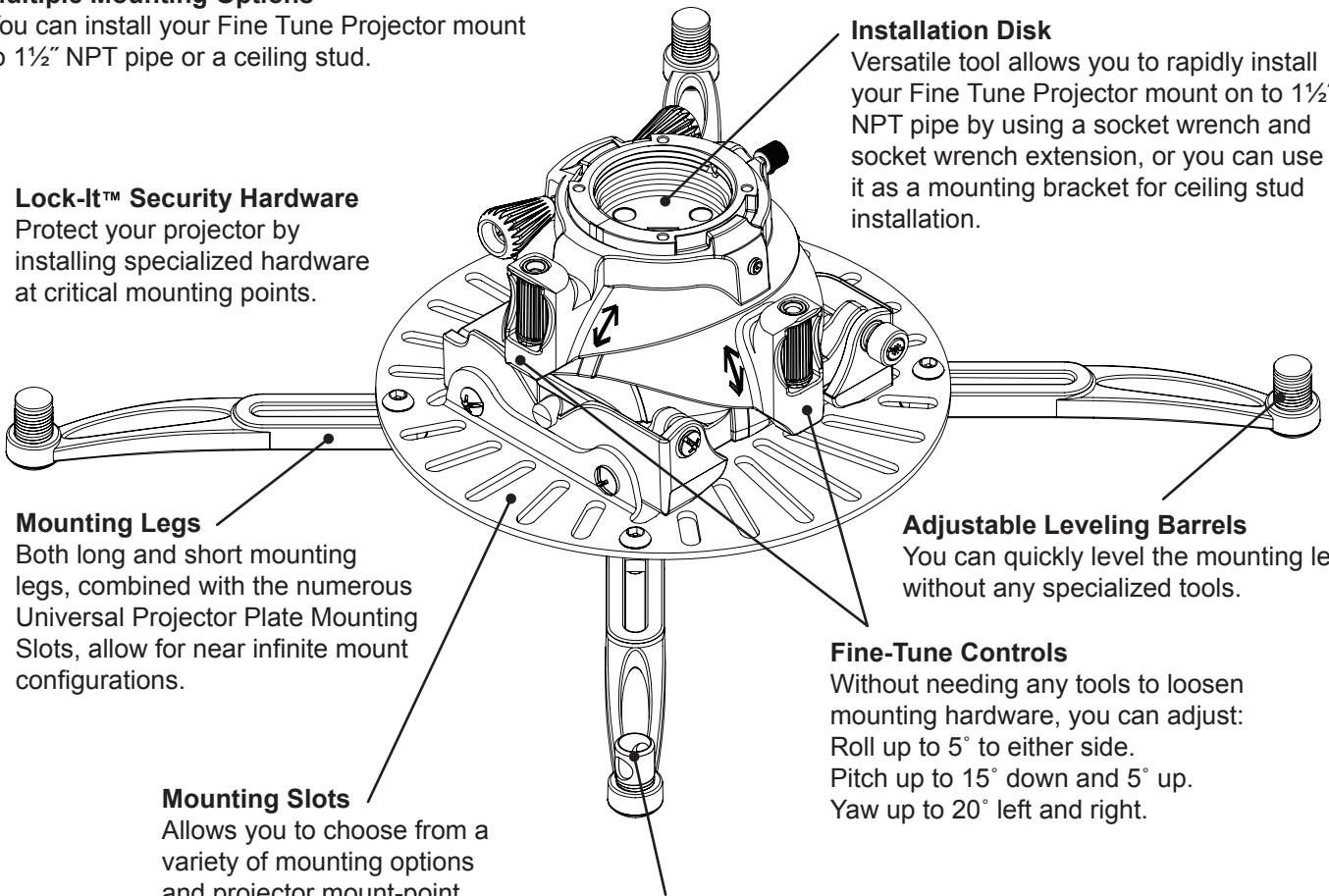
Allows the user to easily secure the mount with a padlock or a steel-cable locking system (PCB-CSL1). The locks (sold separately) would make it nearly impossible for anyone to remove the projector from the mount.

### Projector Direction Arrows

Inscribed on the underside of the FTP Dome and on the top of the Quick Set Base, you can always know for certain which way your projector will be pointing while you are installing your Fine-Tune Projector mount.

### Quick Set Base

If your projector ever needs service, you can quickly detach and attach it without having to uninstall the entire mount or re-align the projector to the screen.





# Installing the Fine Tune Projector Mount

## Introduction

The Fine Tune Projector Mount may be secured to either a 1½" standard threaded pipe (NPT), a Premier Mounts optional ceiling adapter, or a single ceiling stud. If using an optional Premier Mounts adapter, please refer to the installation instructions that come with each adapter on the proper installation of that product.

Please read these installation instructions once thoroughly before attempting to install your Premier Mounts product.

Please take a minute to familiarize yourself with the contents of the package and make sure you have all the parts and tools you need to safely complete the installation.

In addition, some steps of this installation may require two people to prevent personal injury and/or damage to your projector. Please observe all warnings in the following installation procedure and utilize proper safety equipment at all times.

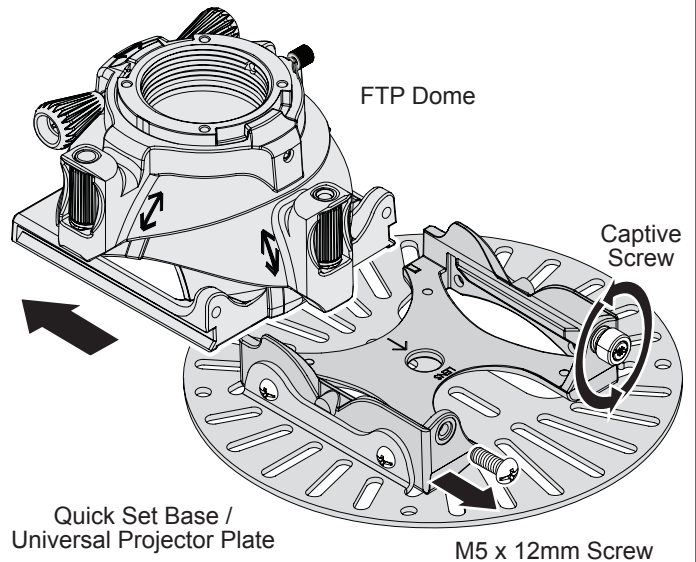
Begin installing your Fine Tune Projector mount by separating the FTP Dome from the Quick Set Base.

- 1 Use Phillips screwdriver to remove the M5 x 12mm screw. Place the M5 x 12mm Security Screw in a safe location.
- 2 Use your thumb and forefinger, or a screwdriver (Phillips or slotted), to loosen the Captive Screw.
- 3 Separate the FTP Dome and the Quick Set Base / Universal Projector Plate.

The Captive Screw is integrated into the Quick Set Base and may not be removed.

If you are installing your FTP mount to a 1½" NPT pipe, proceed to the "Pipe Installation" section.

If you are installing your FTP mount to a wood stud, skip to the "Wood Stud Installation" section.

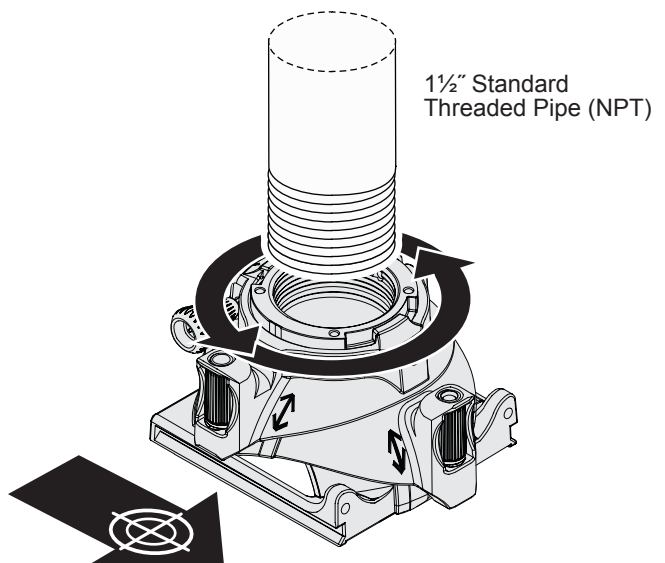


## Pipe Installation

### Step 1

Hand-thread the FTP Dome onto the 1½" standard threaded pipe (NPT) until it is hand-tight.

The target arrow in the following instructions indicates the direction of the projector screen relative to the projector mount.



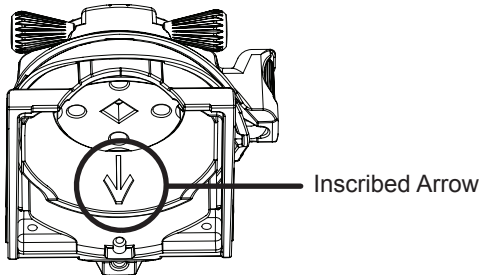


## Installing the Fine Tune Projector Mount (cont'd)

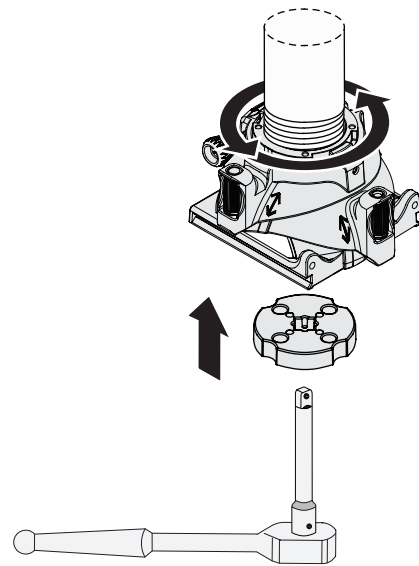
### Step 2

- 1 Attach a 6" or longer socket wrench extension onto a socket wrench.
- 2 Insert the end of the socket wrench extension into the center of the Installation Disk, then insert the Installation Disk into the underside of the FTP Dome.

Note the arrow inscribed inside of the FTP Dome.



FTP Dome as Viewed from Below



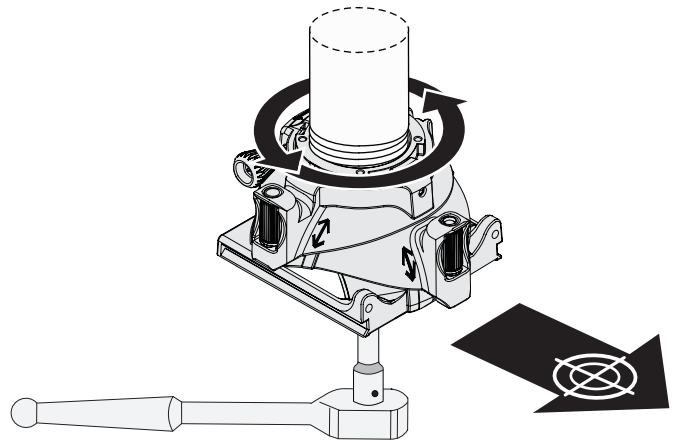
### Step 3

Tighten the FTP Dome until the inscribed arrow on the underside of the FTP Dome points in the direction in which the projector will be facing.

If the FTP Dome becomes too tight to turn and the inscribed arrow is pointing away from the projector screen by more than 5°, loosen the FTP Dome one (1) rotation until the inscribed arrow points towards the projector screen.

The “**Alignment & Fine-Tuning**” section of this manual describes how you can fine-tune the roll, pitch, and yaw of the projector.

Remove the Installation Disk and store it in a safe location.



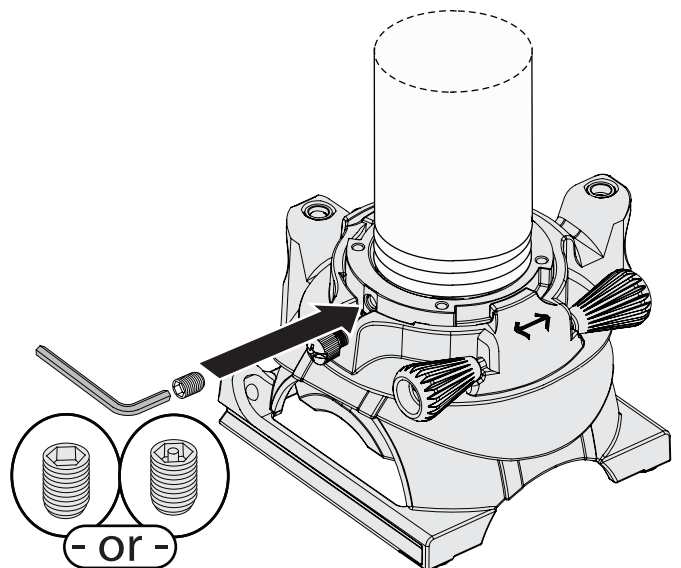
### Step 4

Secure the FTP Dome to the pipe with one (1) M6 x 6mm set screw and tighten it using the M3 Allen wrench.



You can use either the standard hardware or Lock-It™ security hardware.

Proceed to the “**Attaching the Universal Projector Plate**” section.



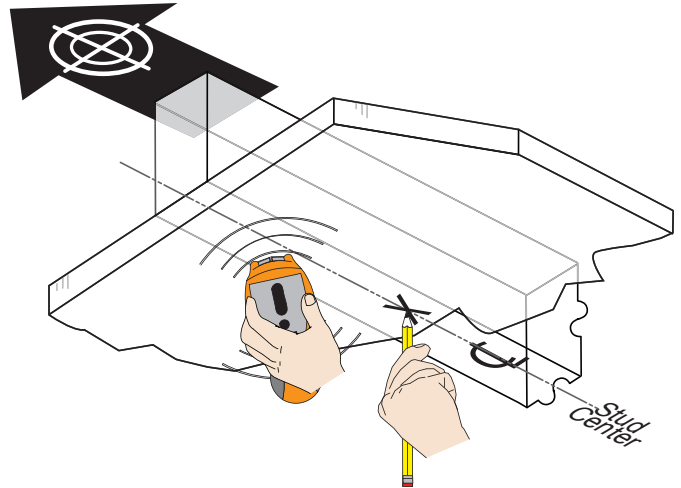


# Installing the Fine Tune Projector Mount (cont'd)

## Wood Stud Installation

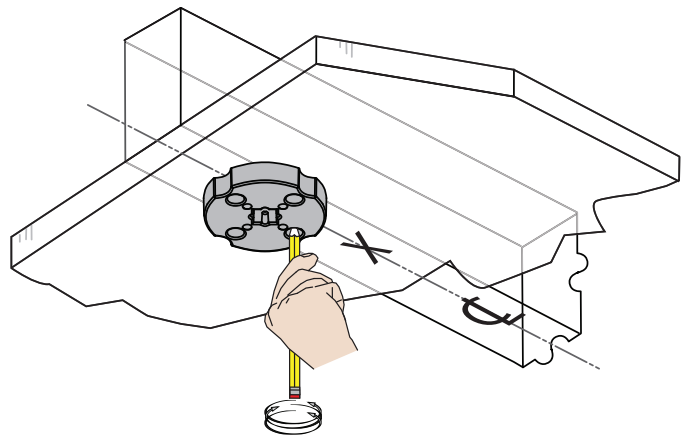
### Step 1

- 1 Use a stud finder to locate a ceiling stud closest to your desired installation location.
- 2 Identify the center of the ceiling stud.
- 3 Use a pencil to mark the location of the ceiling stud center.



### Step 2

- 1 Place the Installation Disk against the ceiling with the mounting holes aligned with the center of the ceiling stud.
- 2 Use a pencil and mark two (2) mounting hole locations through the holes in the Installation Disk.



### Step 3

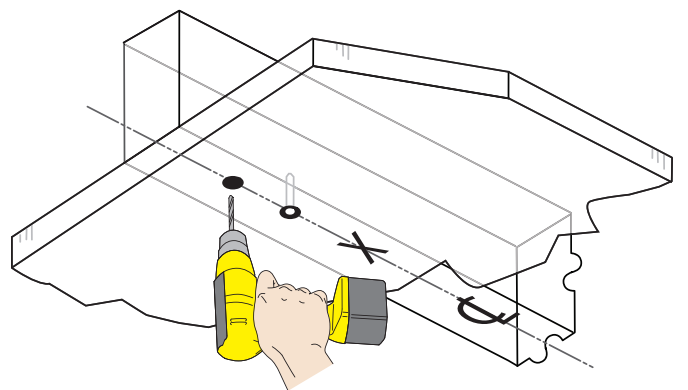
Remove the Installation Disk and set it aside.

Drill a pilot hole in the center of each mark using a power drill and 1/8" drill bit.



#### Pilot Holes

When a screw is driven into a material, such as wood, it can act as a wedge, generating outward pressure which can cause many materials to split. Drilling a small pilot hole in the material into which the screw will be driven causes less 'wedging' to take place, thereby reducing the likelihood of the material being split. It also reduces the possibility of the screw head from being sheared off by torque.



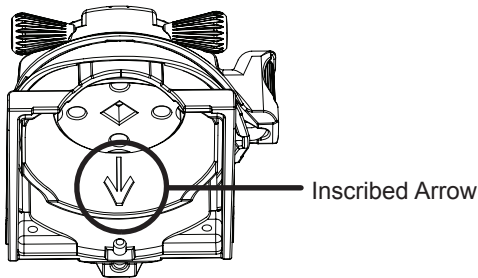


## Installing the Fine Tune Projector Mount (cont'd)

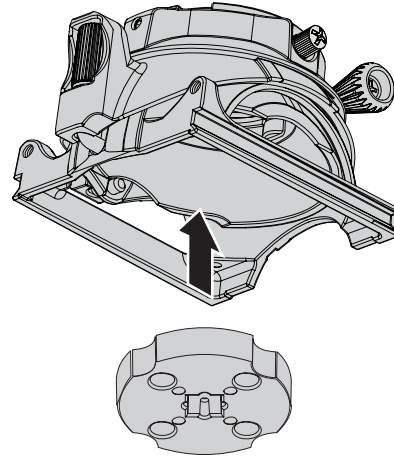
### Step 4

Insert the Installation Disk into the underside of the FTP Dome.

Note the arrow inscribed inside of the FTP Dome; make sure that it is pointed in the same direction that your projector will be pointed.




FTP Dome as Viewed from Below

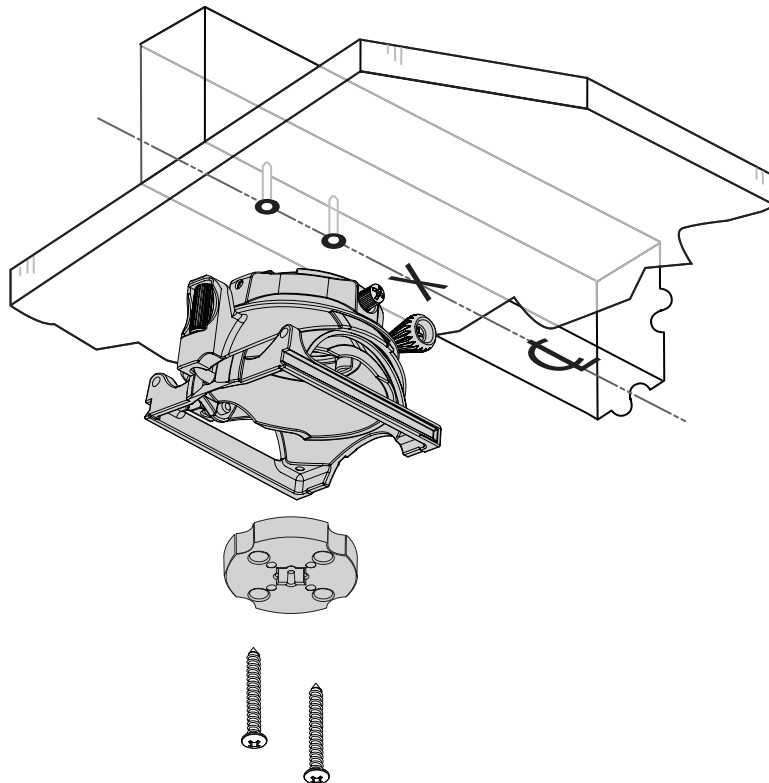


### Step 5

- 1 Insert one (1) #14 x 3" screw through each of the holes in the bottom of the Installation Disk and into the pilot holes.
- 2 Tighten each screw until the FTP Dome and Installation Disk are secure against the ceiling.

 Do not overtighten the mounting screws.

Proceed to the “Attaching the Universal Projector Plate” section.






## Attaching the Universal Projector Plate


### Selecting the Mounting Hardware

- 1 Insert a small straw or toothpick into the threaded inserts found on the bottom or top of the projector.
- 2 Use a pencil to mark the depth of the threaded insert on the small straw or toothpick.
- 3 Mark the straw or toothpick 1/8" above the depth of the threaded insert, as shown in Figure 1.
- 4 Insert the small straw or toothpick into the remaining threaded inserts to compare and verify their depth using the straw or toothpick's 1/8" allowance mark.
- 5 Locate the correct diameter screw for the threaded insert.

 If the screw you selected is longer than the 1/8" allowance mark on the small straw or toothpick, as shown in Figure 2 and Figure 3, do not use this screw. The screw length must not bypass the mark.

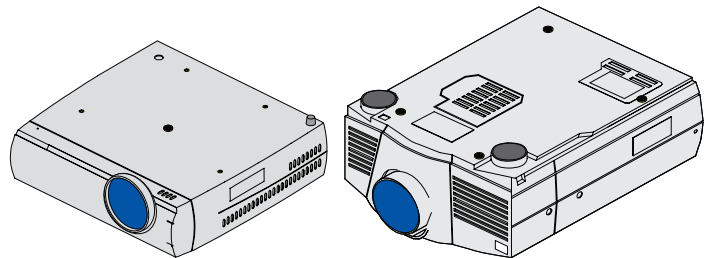
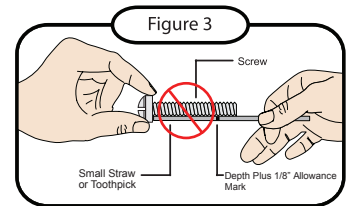
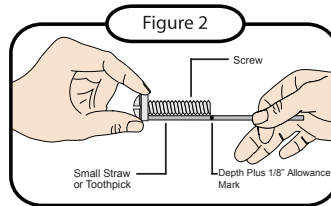
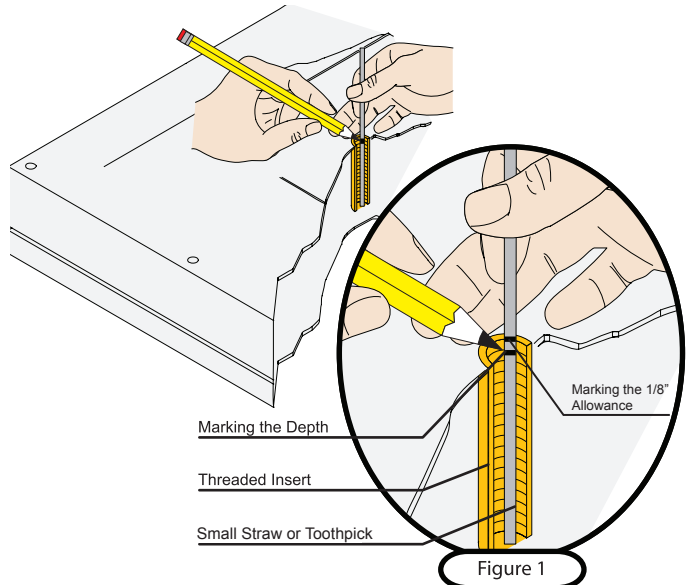
- 6 Test each size of the screws provided.

The correct screws should thread easily into the mounting point and not pull out when tension is applied.

 Does your projector have multiple mount points or a single mount point?

If your projector has multiple mount points, proceed to the **"Multiple Mount Point Installation"** section.

If your projector has a single mount point, remove the pre-installed mounting legs on the universal projector plate and skip to the **"Single Mount Point Installation"** section.





## Attaching the Universal Projector Plate (cont'd)

### Multiple Mount Point Installation

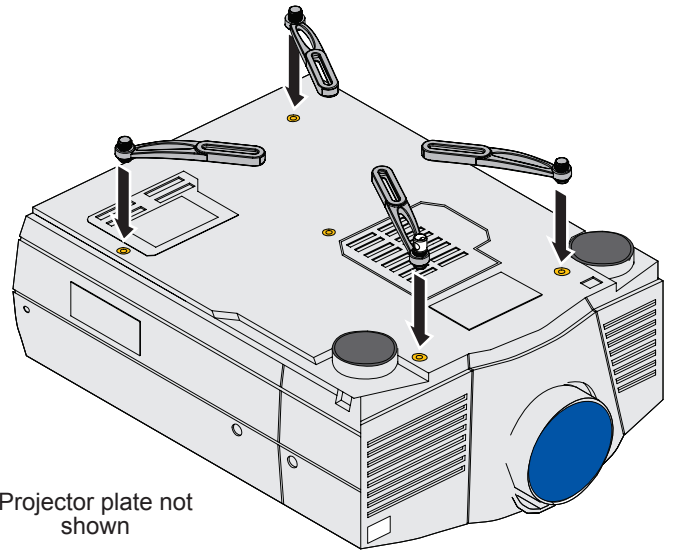
#### Step 1

- 1 Locate the projector's mount points.
- 2 Position an appropriate number of mounting legs on the projector.

The four long mounting legs come pre-installed, but you can use three (3) or four (4) long and/or short mounting legs depending on what your projector requires.



The number and placement of mount points on projectors varies between projector manufacturers. This example projector has five (5) mount points, but only uses four (4) mounting legs.



Projector plate not shown

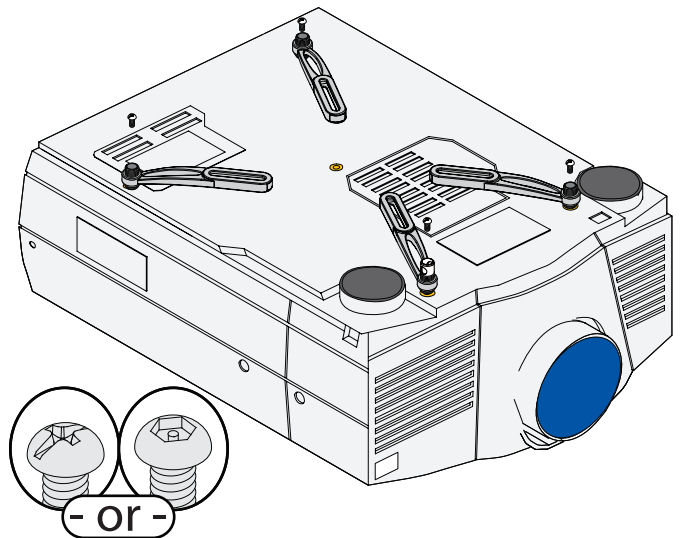
#### Step 2

Insert the mounting hardware, as determined in the **"Selecting the Mounting Hardware"** section, through the leveling barrels of the mounting legs into the thread insert of the projector.



You can use either the standard Phillips head or Lock-It™ security hardware.

Do not tighten the mounting hardware at this time.



#### Pro Tip



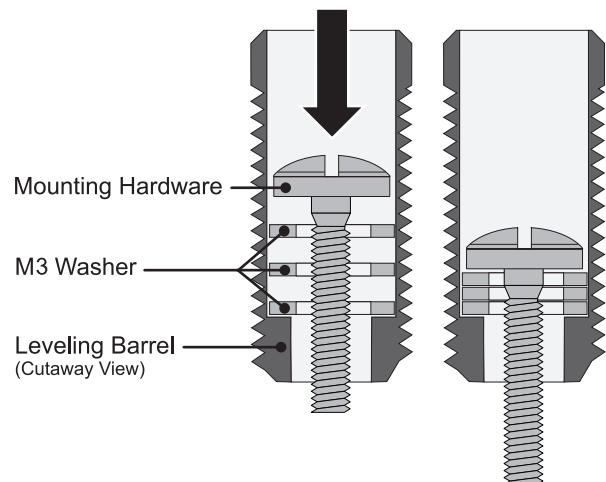
##### Mounting Hardware Too Long?

The depth of some projector mount points may prevent you from tightening the M2.5 and M3 mounting hardware.

You can reduce the length of the M2.5 and M3 mounting hardware by stacking up to a maximum of five (5) M3 flat washers inside the leveling barrel.



Avoid stacking too many M3 washers; the mounting hardware must thread into the projector mount point at least four (4) complete turns.



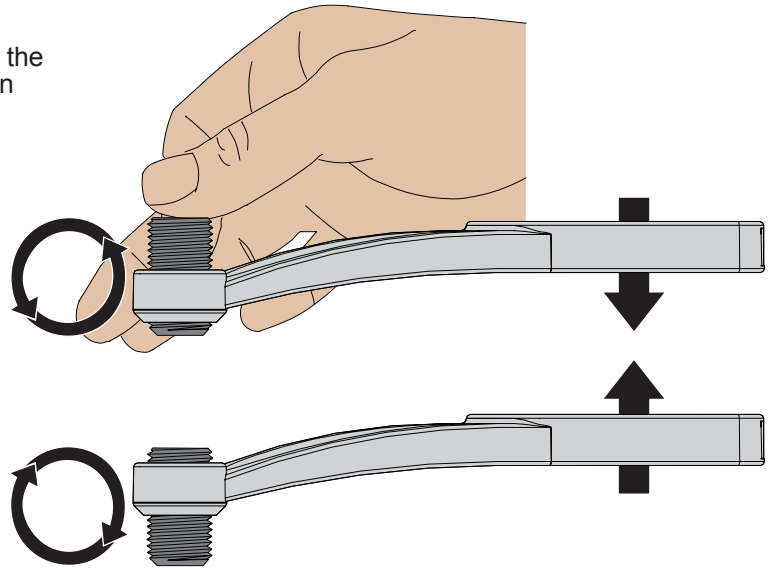


### Attaching the Universal Projector Plate (cont'd)

#### Step 3

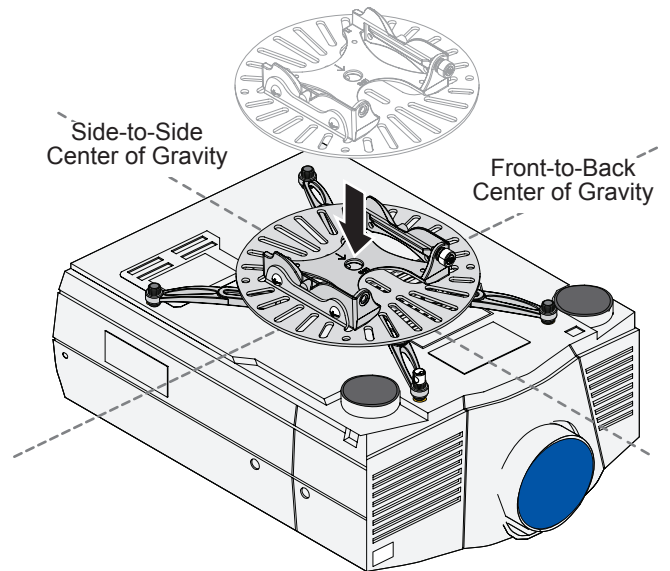
Raise or lower each of the mounting legs, by rotating the leveling barrels, until all of the mounting legs are at an equal height.

- Lower the mounting leg by rotating the leveling barrel counter-clockwise.
- Raise the mounting legs by rotating the leveling barrel clockwise.




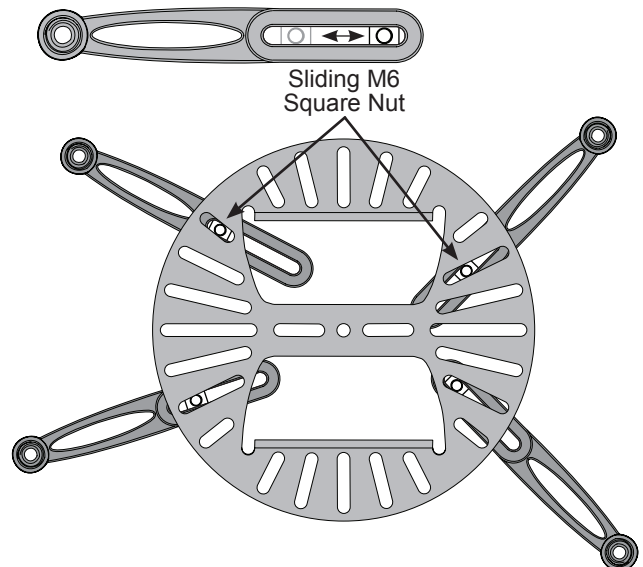
#### Step 4

- 1 Identify the projector's approximate front-to-back center of gravity. Place your hands on each side of the projector and gently lift it an inch from the surface on which it is resting. Carefully adjust your grip on the projector until it seems balanced from front-to-back. Mentally note the apparent center of gravity.
- 2 Identify the projector's approximate side-to-side center of gravity. Place your hands on the front and back of the projector and gently lift it an inch from the surface on which it is resting. Carefully adjust your grip on the projector until it seems balanced from side-to-side. Mentally note the apparent center of gravity.
- 3 Place the Universal Projector Plate (if not already attached) on top of the mounting legs with the center hole as close as possible to the projector's center of gravity.



#### Step 5

- 1 Verify that the mounting legs are at an equal height. Return to **Step 3** if they are not at an equal height or the Universal Projector Plate is not level.
- 2 Verify the position of the integrated sliding M6 square nut in the mounting leg relative to a nearby slot on the Universal Projector Plate.
  -  If the M6 square nut is not aligned with any slot, you can use any thin implement, such as a toothpick, to nudge it into alignment.



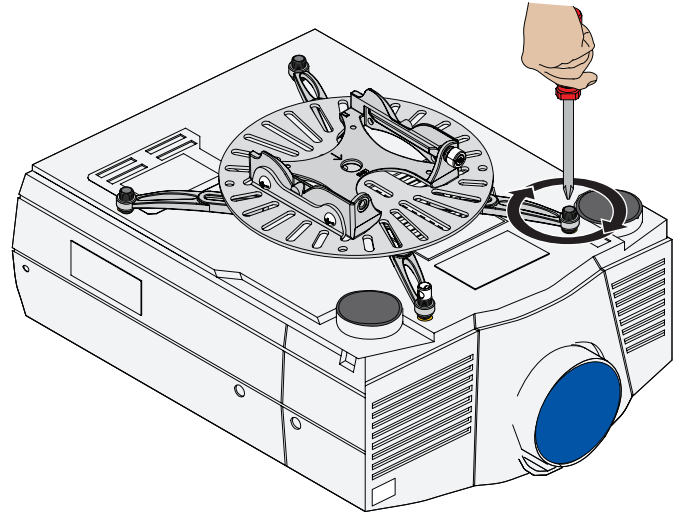


## Attaching the Universal Projector Plate (cont'd)

### Step 6

Tighten the mounting screws to the projector.

Do not overtighten the mounting screws.



### Step 7

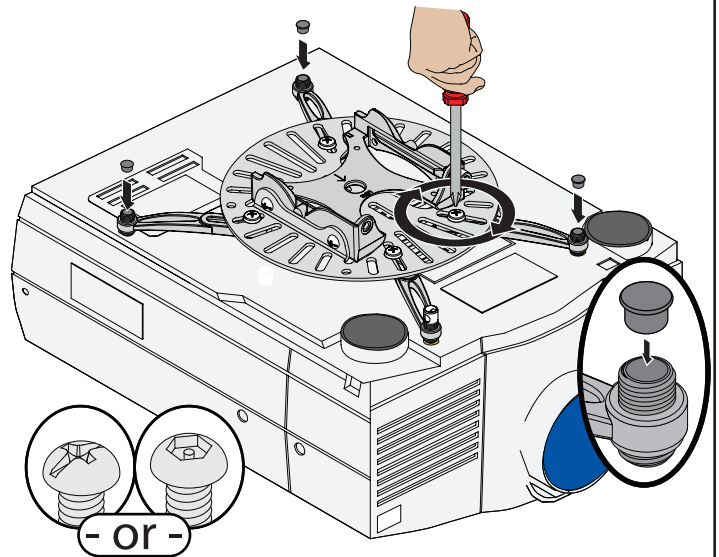
- 1 Attach the Universal Projector Plate (if not already attached) to each of the mounting legs by inserting and tightening one (1) M6 x 12mm screw through the Universal Projector Plate into the M6 square nut on each of the mounting legs.

Do not overtighten the mounting screws.



You can use either the standard Phillips head or Lock-It™ security hardware.

- 2 Insert one (1) Barrel Cap into the end of each leveling barrel (except the security leveling barrel).  
Proceed to the “**Securing the Quick Set Base**” section.



### Single Mount Point Installation

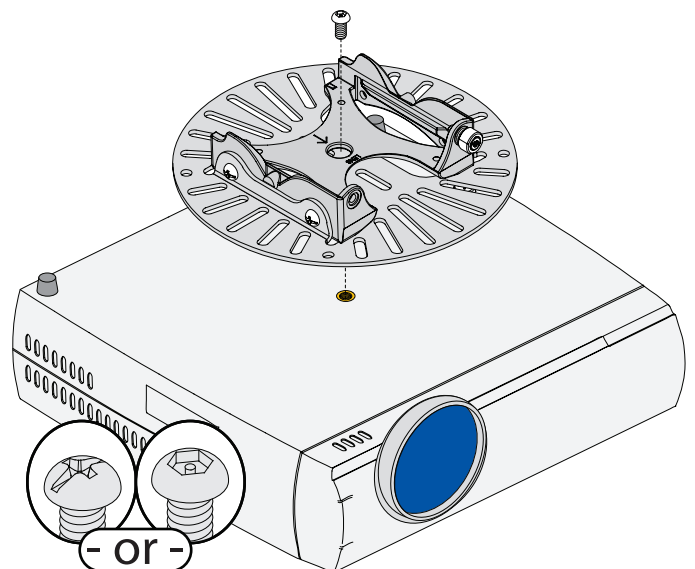
A single 1/4-20 x 5/16" screw must be used to attach the Universal Projector Plate to the projector if your projector has only one mounting point.

Do not overtighten the mounting screws.



You can use either the standard Phillips head or Lock-It™ security hardware.

Proceed to the “**Securing the Quick Set Base**” section.






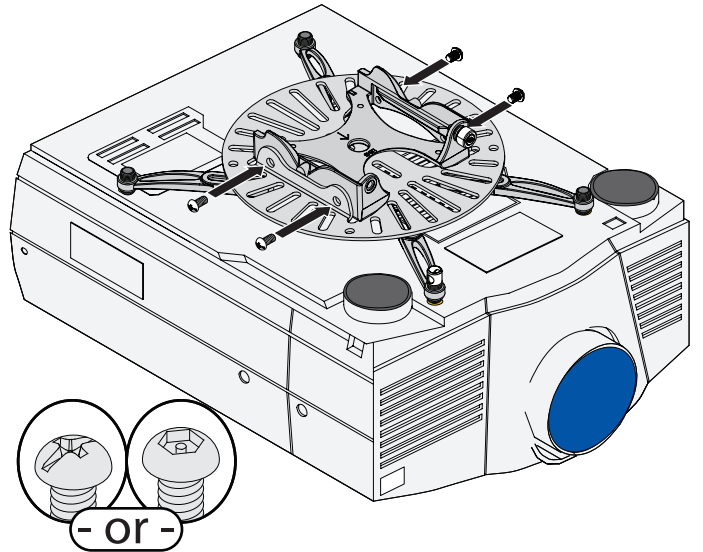
## Securing the Quick Set Base

You had the option of installing Lock-It™ security hardware during several of the previous steps. You may also exchange the screws which secure the Universal Projector Plate to the Quick Set Base.


- ❶ Remove the four (4) Phillips head M6 x 8mm screws which secure the Quick Set Base to the Universal Projector Plate.
- ❷ Replace each M6 x 8mm Phillips head screw with one (1) M6 x 8mm Security screw.
- ❸ Tighten all screws.


 Do not overtighten the mounting screws.


Proceed to the “**Attaching the Projector to the Mount**” section.



## Attaching the Projector to the Mount


 If your projector is heavy and/or bulky, two people may be required to safely attach your projector to the FTP Dome.

 If your projector is to be mounted higher than shoulder height, you may need to use one or more ladders to safely attach your projector to the FTP Dome.

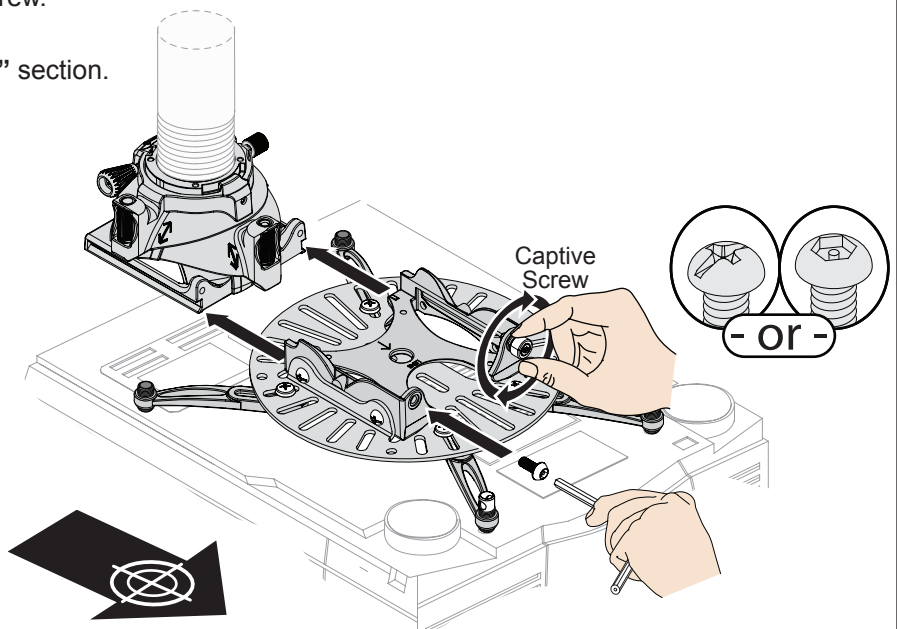
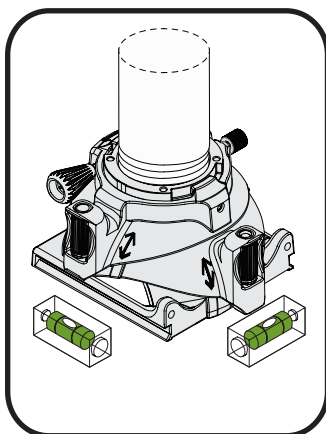
 Verify that the FTP Dome is in the factory-default position prior to attempting to attach the Quick Set Base/projector assembly. Serious damage to property or severe personal injury could occur if the FTP Dome is not at the factory-set position.

- ❶ Raise the projector (with the Quick Set Base and Universal Projector Plate securely attached) and slide the Quick Set Base onto the FTP Dome. Do not release the projector.
- ❷ Use your thumb and forefinger to thread the Captive Screw into the FTP Dome until it is hand-tight.
- ❸ Insert the M5 x 12mm screw into the location shown and tighten it using a Phillips screwdriver.

 You can use either the standard Phillips head or Lock-It™ security hardware.

 Do not overtighten the M5 x 12mm screw.

Proceed to the “**Alignment & Fine-Tuning**” section.

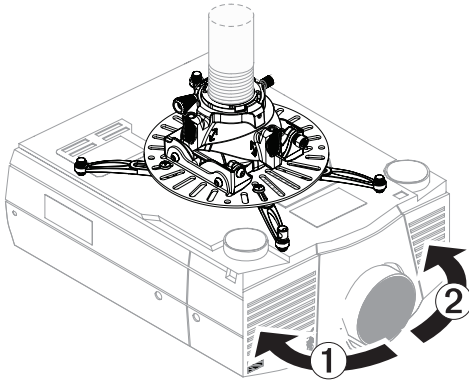




## Alignment & Fine-Tuning

### Yaw

Yaw can be adjusted up to 20° left and 20° right from center.

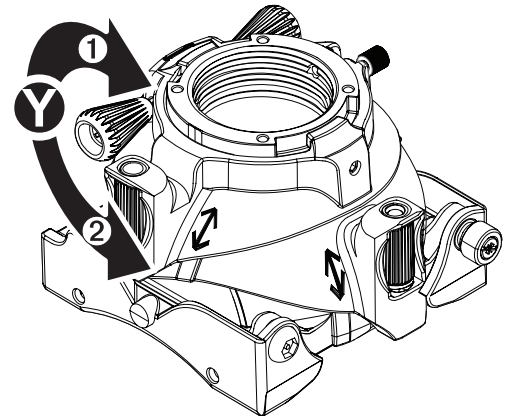


Adjust the projector's yaw by turning control **Y**...

...clockwise to pivot the front ① to the right.

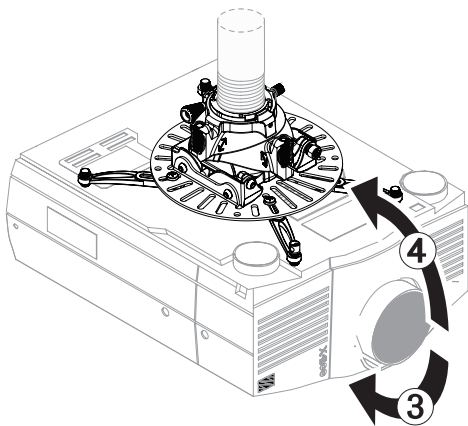
...counter-clockwise to pivot the front ② to the left.

Each full revolution of the **Y** control adjusts the yaw by 4°.



### Pitch

Pitch can be adjusted 15° down and 5° up from level.

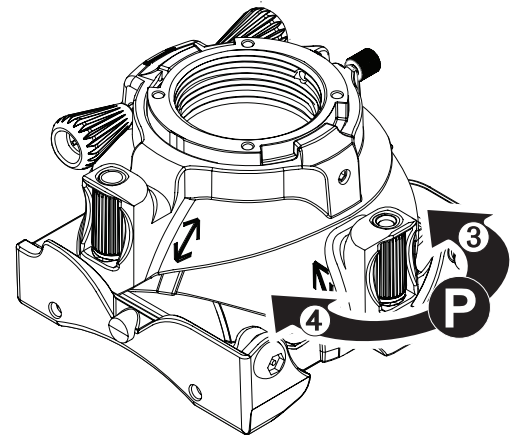


Adjust the projector's pitch by spinning control **P**...

...right to pitch the front ③ down.

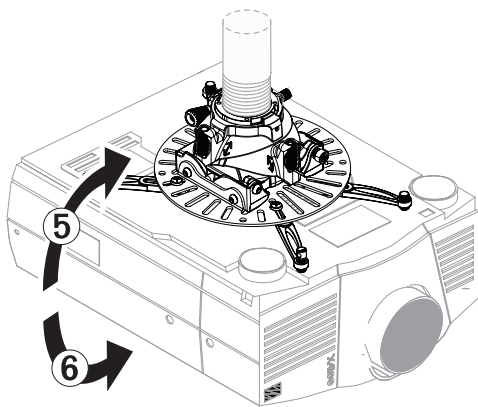
...left to pitch the front ④ up.

Each full revolution of the **P** control adjusts the pitch by 1°.



### Roll

Roll can be adjusted up to 5° to either side from level.

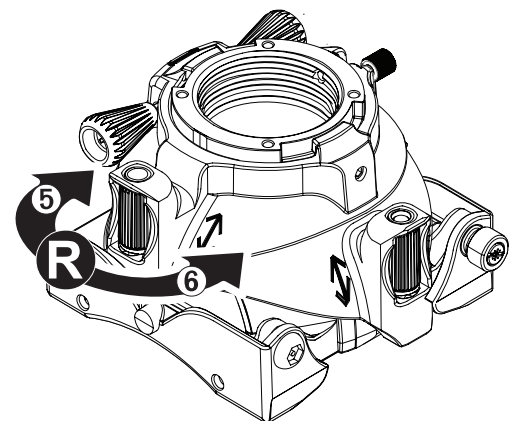


Adjust the projector's roll by spinning control **R**...

...left to roll the right side ⑤ up.

...right to roll the right side ⑥ down.

Each full revolution of the **R** control adjusts the roll by 1°.





### Locking in the Adjustments

After you have finalized your yaw, pitch, and roll adjustments, you can lock them in to prevent them from being accidentally changed.

- 1 Finger-tighten the knurl knob until it makes firm contact with the FTP Support Sphere (Figure 1).



The M6 set screw on the front of the FTP Dome provides tension for the roll, pitch and yaw adjustments. This is a factory setting which you should not change (Figure 2).

FTP Support Sphere

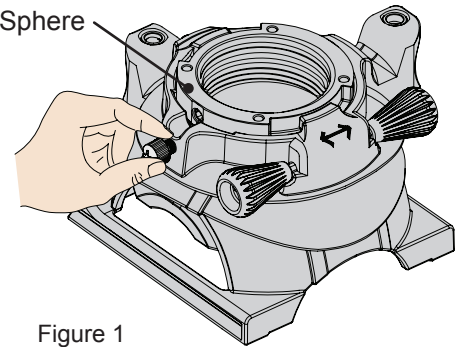


Figure 1

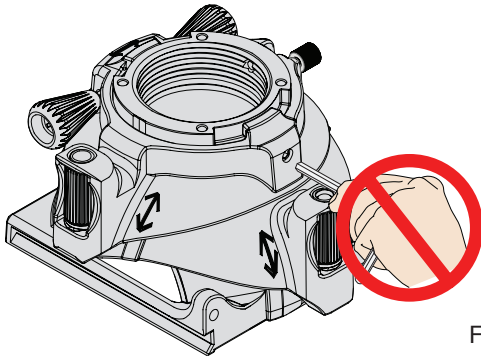


Figure 2

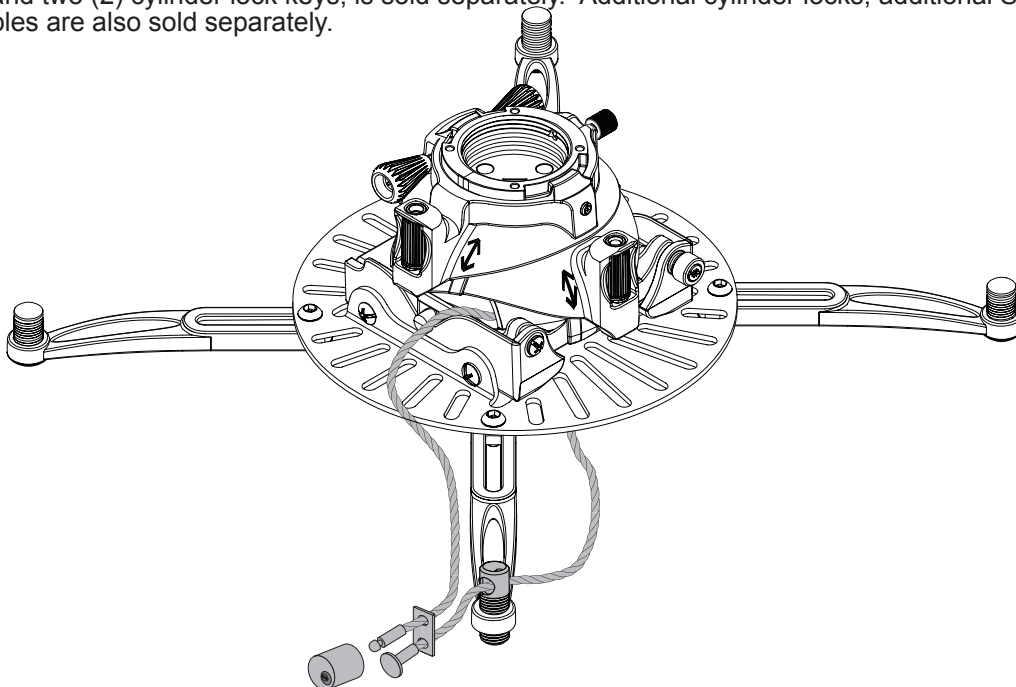
### Securing the Fine Tune Projector Mount

Your FTP mount includes one pre-installed Security Leveling Barrel in a mounting leg which can provide additional theft deterrence for your projector.

Shown below is an example of how you can route a PCB-CSL1 Security Cable through the Security Barrel. The Security Cable is routed through the Security Barrel after the standard leveling barrel is replaced by the Security Barrel and the projector mount is securely attached to the projector as per the installation instructions.

The PCB-CSL1 kit also includes a Cable Looper which you can use to create a tight loop for cable management.

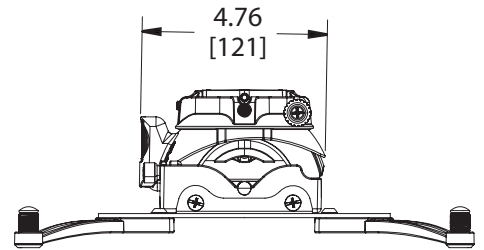
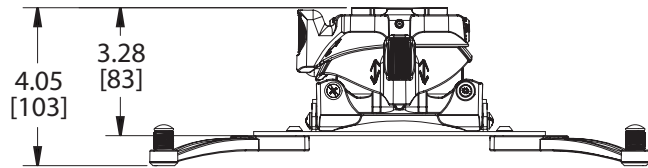
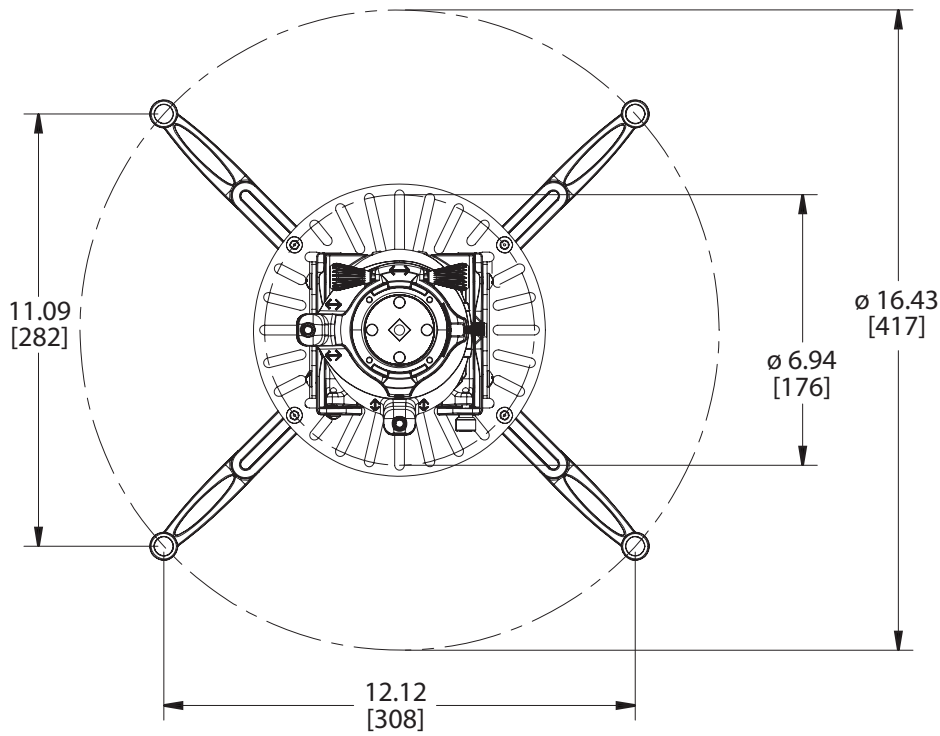
The PCB-CSL1 kit, which contains one (1) 18" braided cable, one (1) chassis sleeve, one (1) cable looper, one (1) cylinder lock, and two (2) cylinder lock keys, is sold separately. Additional cylinder locks, additional Security Barrels, and longer cables are also sold separately.





# Technical Specifications

All measurements are in inches [mm].





## Warranty

### PREMIER MOUNTS LIMITED LIFETIME WARRANTY

#### What and Who is Covered by this Limited Warranty and for How Long

Premier Mounts warrants this product to be free from defects in material and workmanship for the lifetime of the original owner of this product. The limited warranty is valid only for the original purchaser of the product.

#### What Premier Mounts Will Do

At the sole option of Premier Mounts, Premier Mounts will repair or replace any product or product part that is defective. If Premier Mounts chooses to replace a defective product or part, a replacement product or part will be shipped to you at no charge, but you must pay any labor costs.

#### What is Not Covered; Limitations

PREMIER MOUNTS DISCLAIMS ANY LIABILITY FOR DAMAGE TO MOUNTS, ADAPTERS, DISPLAYS, PROJECTORS, OTHER PROPERTY, OR PERSONAL INJURY RESULTING, IN WHOLE OR IN PART, FROM IMPROPER INSTALLATION, MODIFICATION, USE OR MISUSE OF ITS PRODUCTS.

PREMIER MOUNTS DISCLAIMS ALL OTHER WARRANTIES, EXPRESS OR IMPLIED, INCLUDING WARRANTIES OF MERCHANTABILITY AND FITNESS FOR A PARTICULAR PURPOSE. PREMIER MOUNTS IS NOT RESPONSIBLE FOR INCIDENTAL OR CONSEQUENTIAL DAMAGES, INCLUDING BUT NOT LIMITED TO, INABILITY TO USE ITS PRODUCTS OR LABOR COSTS FOR REMOVING AND REPLACING DEFECTIVE PRODUCTS OR PARTS. SOME STATES DO NOT ALLOW THE EXCLUSION OR LIMITATION OF INCIDENTAL OR CONSEQUENTIAL DAMAGES, SO THE ABOVE LIMITATION OR EXCLUSION MAY NOT APPLY TO YOU.

#### What Customers Must Do for Limited Warranty Service

If you discover a problem that you think may be covered by the warranty you MUST REPORT it in writing to the address below within thirty (30) days. Proof of purchase (an original sales receipt) from the original consumer purchaser must accompany all warranty claims. Warranty claims must also include a description of the problem, the purchaser's name, address, and telephone number. General inquiries can be addressed to Premier Mounts Customer Service at 1-800-368-9700. Warranty claims will not be accepted over the phone or by fax.

Premier Mounts  
Attn: Warranty Claim  
3130 East Miraloma Ave.  
Anaheim, CA 92806

#### How State Law Applies

THIS WARRANTY GIVES YOU SPECIFIC LEGAL RIGHTS, AND YOU MAY ALSO HAVE OTHER RIGHTS WHICH VARY FROM STATE TO STATE.

## Disclaimer

Premier Mounts intends to make this manual accurate and complete. However, Premier Mounts makes no claim that the information contained herein covers all details, conditions or variations, nor does it provide for every possible contingency in connection with the installation or use of this product. The information contained in this document is subject to change without notice or obligation of any kind. Premier Mounts makes no representation of warranty, expressed or implied, regarding the information contained herein. Premier Mounts assumes no responsibility for accuracy, completeness or sufficiency of the information contained in this document.