



UNI-EMP Equipment Management Plate Installation Instructions

Introduction

The UNI-EMP Equipment Management Plate fits perfectly inside the integrated GearBox™ of Premier Mounts' line of universal short throw projector wall mounts and digital signage mounts. Use it to compactly organize and secure the Premier Mounts' compact power amplifier and/or additional A/V equipment and wiring as needed.

Lock-It™ security screws are included for enhanced security.



3130 East Miraloma Avenue, Anaheim, CA 92806 USA

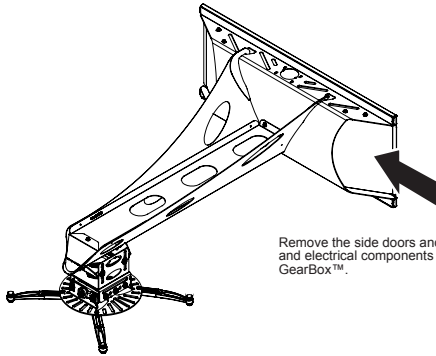
USA and Canada

Phone: 1.800.368.9700 Fax: 1.800.832.4888

techsupport@mounts.com

Step 1

Projector mount shown is for example purposes only.



Remove the side doors and electronic and electrical components from inside the GearBox™.

These instructions assume the GearBox™ is attached to the wall. See installation instructions for the mount if needed.

- 1 Remove the side doors from the GearBox™.
- 2 Remove the compact power amplifier and/or other electronic and electrical components from inside the GearBox™.

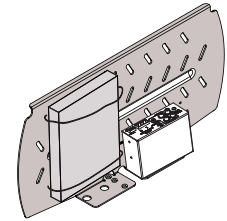
Are you installing Premier Mounts' compact power amplifier?
If **Yes**, continue to **Step 2**
If **No**, go to **Step 3**

Parts List

 UNI-EMP Equipment Management Plate (Qty 1)	 Zip Ties (Qty 12)	 M4 x 8mm Lock-It™ Security Screw (Qty 4)
	 M5 Security Allen Wrench (Qty 1)	

Step 3

- 1 Place your electronic components onto the UNI-EMP.
- 2 Align the electronic components so that the weight is distributed as evenly as possible.
- 3 Run the zip ties through the mounting slots on the UNI-EMP, underneath the UNI-EMP, and up through the mounting slots on the other side of the electronic components.
- 4 Tighten the zip ties down and cut off any excess zip tie.
- 5 Attach electrical wiring to the electronic components.

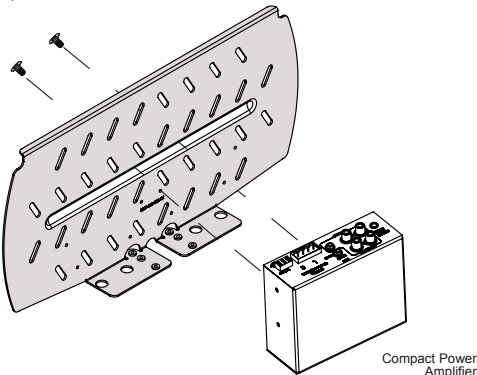


Depending on space, you may attach equipment and/or wiring to the back of the UNI-EMP.

Small screws and flat washers may also be used to fasten the electronic components.

Step 2

4-40 x 1/4" Phillips flathead screws



Compact Power Amplifier

Use two (2) 4-40 x 1/4" Phillips flathead screws to attach the compact power amplifier to the UNI-EMP (see drawing).

The amp can be installed on either side of the UNI-EMP.

Make sure you can later access the amp's line and mic gain controls using a #1 flat blade screwdriver through both the diagonal slots of the GearBox™ and the circular slots of the UNI-EMP.

Step 4

- 1 Place the UNI-EMP inside at the center of the GearBox™.
 You can insert the UNI-EMP with either side facing the front of the mount depending on your installation needs (Figure 1).
- 2 Use four (4) M4 x 8mm Lock-It™ security screws to attach the UNI-EMP to the inside bottom of the GearBox™ (Figure 2).
 Four UNI-EMP screw holes should be accessible through the GearBox™ center screw holes.

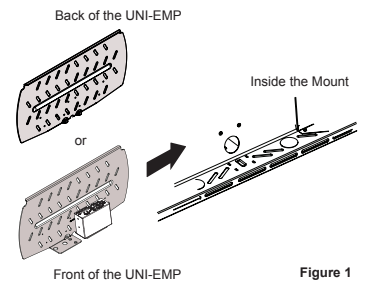


Figure 1

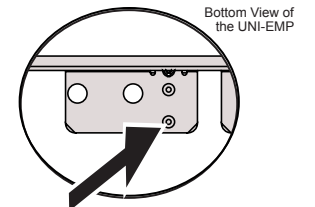


Figure 2

Step 5

Re-attach the side doors of the GearBox™.