

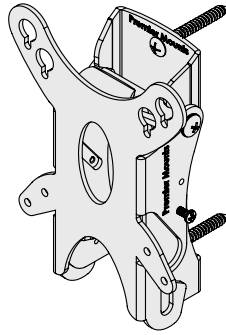


PRT-100 VESA Tilting Mount Installation Instructions



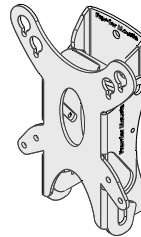
3130 East Miraloma Avenue
Anaheim, CA 92806 USA
USA and Canada
Phone: 1.800.368.9700
Fax: 1.800.832.4888

Other Locations – Phone: (001).714.632.7100; Fax: (001).714.632.1044 ©Premier Mounts 2011



The PRT-100 VESA tilting mount securely holds flat-panels up to 32" in place and provides up to 12° of continuous tilt for optimal viewing. The flat-panel can easily be installed on a wood stud using the mount's quick hook-in monitor attachment. A 75x75mm or 100x100mm VESA flat-panel mounting pattern is required.

Parts List



PRT-100
(Qty 1)



#14 x 2" Wood Screw
(Qty 2)



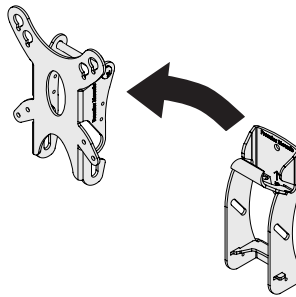
M4 x 10mm Pan Combo
Screw (Qty 4)



M4 x 12mm Pan Combo
Screw (Qty 4)

Step 1

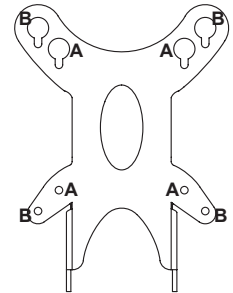
Remove the front component of the PRT-100 from the back component.



Step 3

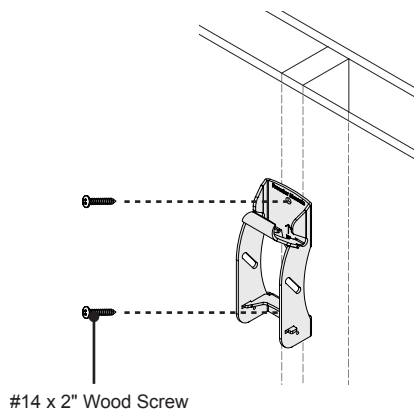
Determine the VESA mounting pattern for attaching the PRT-100 to the flat-panel.

- A = 75x75mm VESA
- B = 100x100mm VESA




Step 2

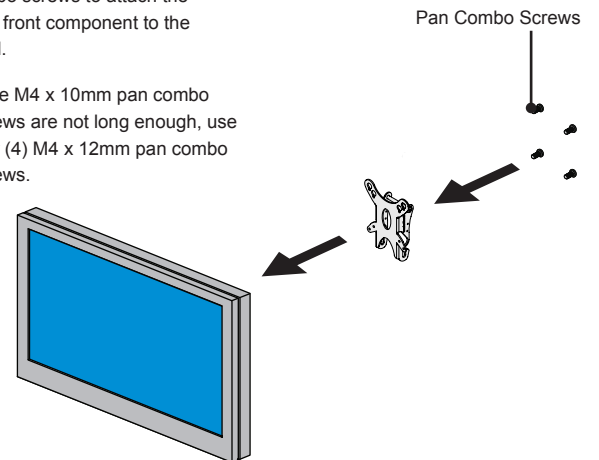
Use two (2) 14 x 2" wood screws to attach the wall plate to a wood stud.



Step 4

Using the determined VESA mounting pattern, insert four (4) M4 x 10mm pan combo screws to attach the PRT-100 front component to the flat-panel.

 If the M4 x 10mm pan combo screws are not long enough, use four (4) M4 x 12mm pan combo screws.





PRT-100 Installation Instructions (cont'd)

Step 5

Attach the front and back components of the PRT-100.

- 1) Slide the horizontal rod in the front component into the upper slot of the back component (Figure 1).
- 2) Rest the bottom hooks of the front component against the bottom tabs of the back component (Figure 2).

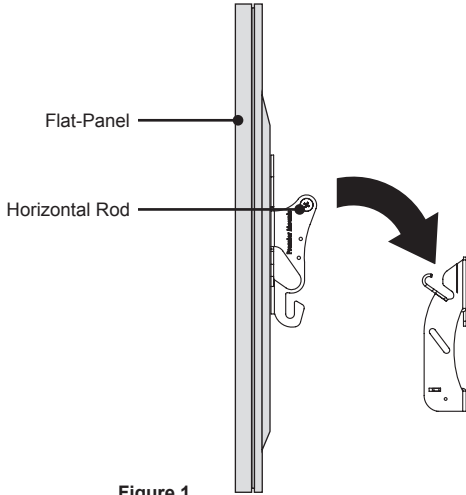


Figure 1

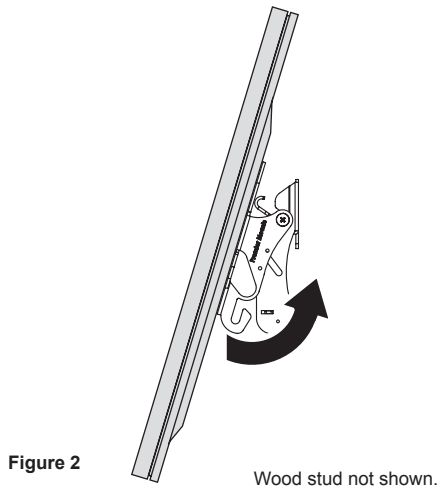



Figure 2

Wood stud not shown.

Step 6

- 1) Pre-install two (2) M4 x 10mm pan combo screws in the left and right side screw holes of the PRT-100 (Figure 1).
- 2) Slide up the front component of the PRT-100 to the desired tilt (Figure 2).

 The bottom hooks of the front component should hook onto the bottom tabs of the PRT-100.

- 3) Tighten the side M4 x 10mm pan combo screws to lock in the tilt.

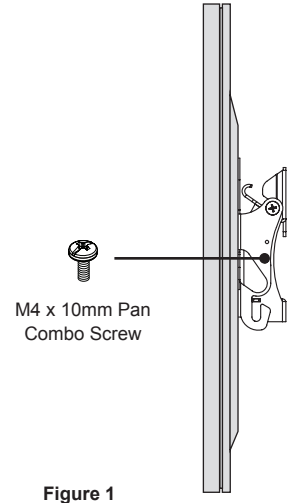


Figure 1

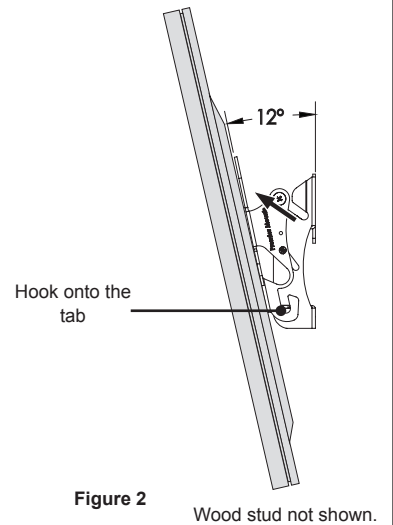


Figure 2

Wood stud not shown.