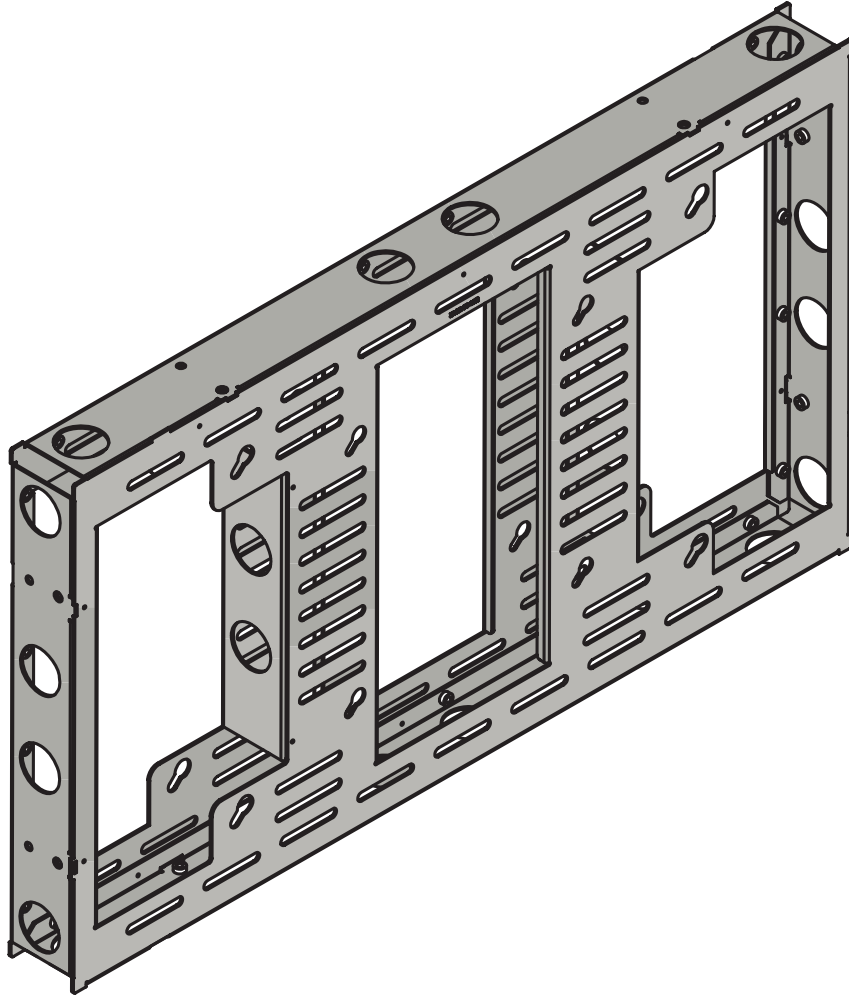


INSTALLATION INSTRUCTIONS



MVW46

Videowall Frame

NORTH AMERICA

3130 East Miraloma Avenue
Anaheim, CA 92806 USA

USA and Canada

Phone: 1.800.368.9700
Fax: 1.800.832.4888

Other Locations

Phone: (001).714.632.7100
Fax: (001).714.632.1044

EUROPE

Swallow House,
Shilton Industrial Estate,
Shilton, Coventry, England CV79JY

Phone: +44 (0) 2476 614700
Fax: +44 (0) 2476 614710



Contents

- Contents 2
- Warning Statements 2
- Installation Tools 3
- Parts List 3
- Features 4
- Installing the MVW46 5
 - Introduction 5
 - Dual-Pole Cart Or Stand Installation 5
 - Flying Installation 8
- Technical Specifications 11
- Warranty 12
- Disclaimer 12

Warning Statements



Prior to the installation of this product, these installation instructions must be read and completely understood. Keep these installation instructions in an easily accessible location for future reference.



Videowall Tolerance Disclaimer

Premier Mounts manufactures all videowall frames with a maximum tolerance of 0.015 inches between the mounting pattern and the frames outside perimeters.

Even though Premier Mounts provides different hardware options for precision alignments, alignment issues may occur due to higher tolerance levels for display mounting patterns or the structural integrity of the mounting surface, which may react to the total weight of the attached structure.



Proper installation procedure by a qualified service technician must be followed, as outlined in these installation instructions. Failure to do so could result in property damage, serious personal injury, or even death.



Safety measures must be practiced at all times during the assembly of this product. Use proper safety equipment and tools for the assembly procedure to prevent personal injury.



Premier Mounts does not warrant against damage caused by the use of any Premier Mounts product for purposes other than those for which it was designed or damage caused by unauthorized attachments or modifications, and is not responsible for any damages, claims, demands, suits, actions or causes of action of whatever kind resulting from, arising out of or in any manner relating to any such use, attachments or modifications.



At least two qualified people should perform the assembly procedure. Personal injury and/or property damage can result from dropping or mishandling your electronic equipment.



Be aware of the mounting environment. If drilling and/or cutting into the mounting surface, always make sure that there are no electrical wires on the floor. Cutting or drilling into an electrical line may cause serious personal injury.

Do not install on a structure that is prone to vibration, movement or chance of impact. Failure to do so could result in damage to the flat-panel and/or damage to the mounting surface.



This product is intended for indoor use only. Use of this product outdoors could lead to product failure and/or serious personal injury.



Do not install near sources of high heat. Do not install on a structure that is prone to vibration, movement or chance of impact.




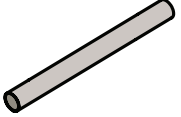

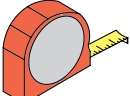
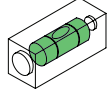


Contact Premier Mounts with any questions:
(800) 368-9700
techsupport@mounts.com



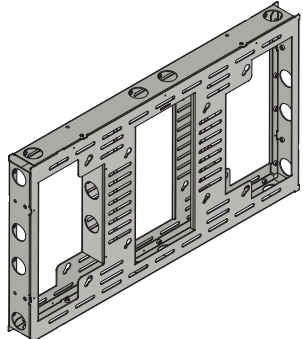


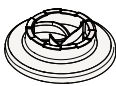

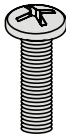


Installation Tools

The following tools may be required depending upon your particular installation. They are not included.

 Rigging Hardware	 Ladder	 M6 Allen Wrench	 Heavy-Duty Steel Tube Long Enough to Hang MVW46(s)
 #2 Phillips Tip Screwdriver	 Tape Measure	 Level	

Parts List

Make sure your Premier Mounts product has the following hardware and components before beginning installation. If there are parts missing and/or damaged, stop the installation and call Premier Mounts at (800) 368-9700.

MVW46 Hardware			
 MVW46 Videowall Frame (Qty 1)		 6mm Quick-Release Button (Qty 4)	
 M8 Quick-Release Button (Qty 4)	 Universal Spacer (Qty 4)	 M8 x 10mm Set Screw (Qty 4)	 M6 x 30mm Pan Phillips Screw (Qty 4)
 M8 x 16mm Pan Phillips Screw (Qty 8)		 M8 x 20mm Pan Phillips Screw (Qty 4)	



Features

The MVW46 Videowall Frame is designed for mounting the Samsung 460UT, Samsung 460UT-2, NEC X461UN, or NEC X461UN2 to Premier Mounts' dual-pole carts and stands, or flying them from above. They can be installed in either portrait or landscape orientation. Quick-release buttons make it easier than ever to install the displays, which can be attached to the front and/or back of the MVW46. You can join multiple MVW46s horizontally and/or vertically to create a videowall.

2" Cutouts

Insert the tubing of Premier Mounts' dual-pole cart or stand and adjust the height of the MVW46 by tightening set screws.

2" Corner Cutouts

The corner cutouts can be used to insert 2" tubing for flying the MVW46 from above.

Alignment Tab

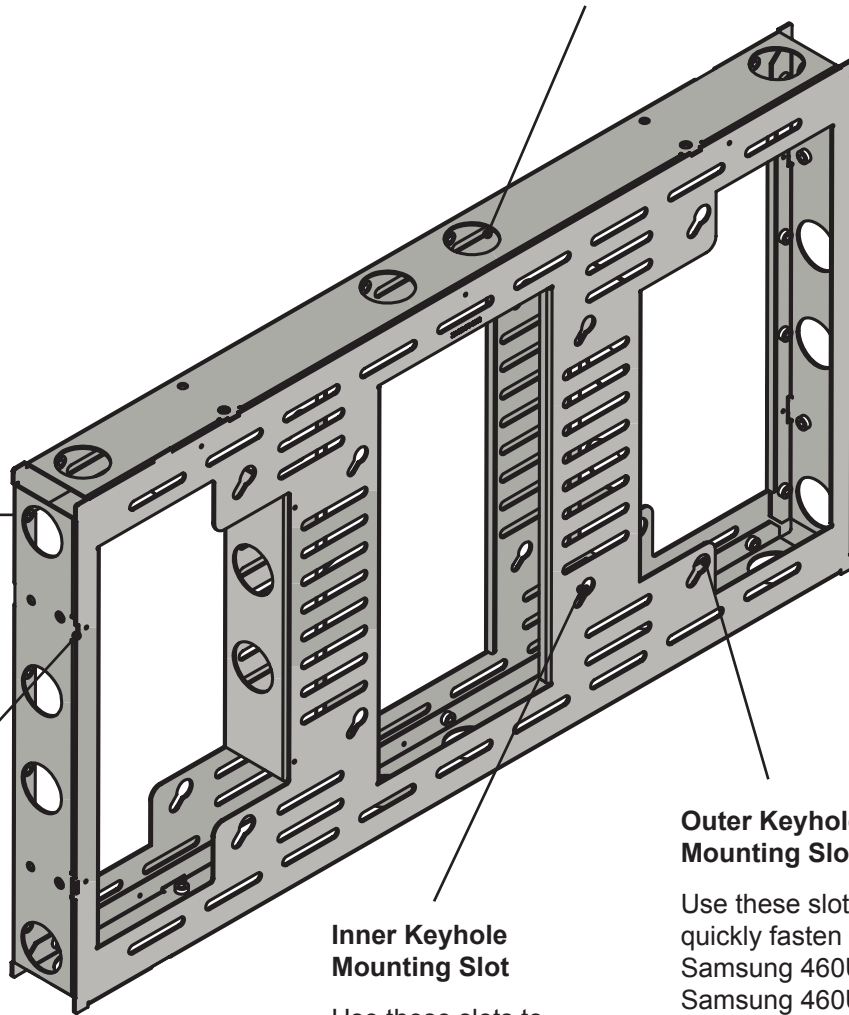
Use these tabs to quickly align multiple MVW46s next to each other.

Inner Keyhole Mounting Slot

Use these slots to quickly fasten the NEC X461UN or NEC X461UN2 to the MVW46.

Outer Keyhole Mounting Slot

Use these slots to quickly fasten the Samsung 460UT or Samsung 460UT-2 to the MVW46.





Installing the MVW46

Introduction

The Premier Mounts MVW46 Videowall Frame is designed for use with Premier Mounts' dual-pole carts and stands, as well as for flying from above. You may use one MVW46 as a standalone mount, or multiple MVW46s to create a videowall display.

Please read through the safety instructions before installation.



Are you mounting the MVW46 to a cart or stand, or flying from above?

If **dual-pole cart or stand**, continue to **Cart Or Stand Installation** below.

If **flying from above**, go to **Flying Installation** on page 8.

Dual-Pole Cart Or Stand Installation

Step 1

Illustrations show only some of the installation configurations possible with the MVW46s.

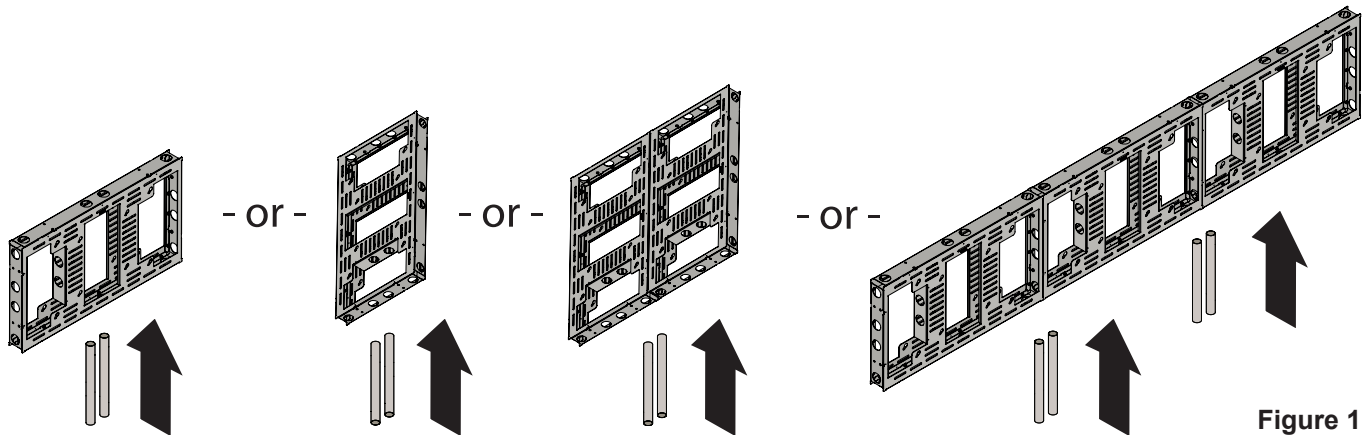
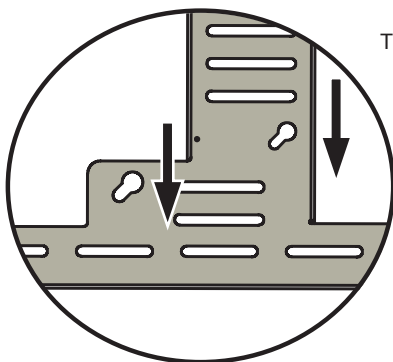


Figure 1

Insert the tubing of the Premier Mounts dual-pole cart(s) or stand(s) into the 2" circular cutouts of the MVW46(s) depending on the installation (Figure 1).



Make sure the MVW46 keyhole mounting slots point down so that they can support the flat-panel display(s) later (Figure 2).

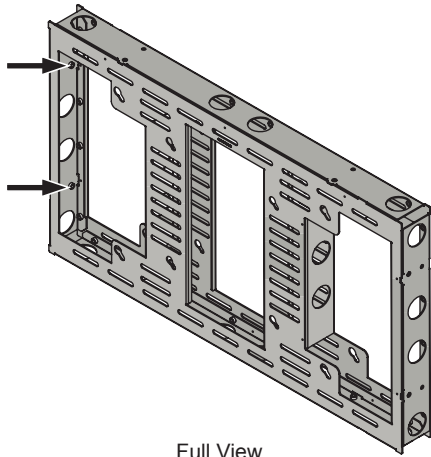


The keyhole mounting slots should point downward.

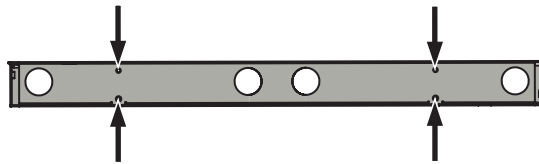
Figure 2



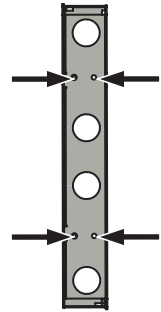
Step 2



Full View



Top/Bottom View



Side View

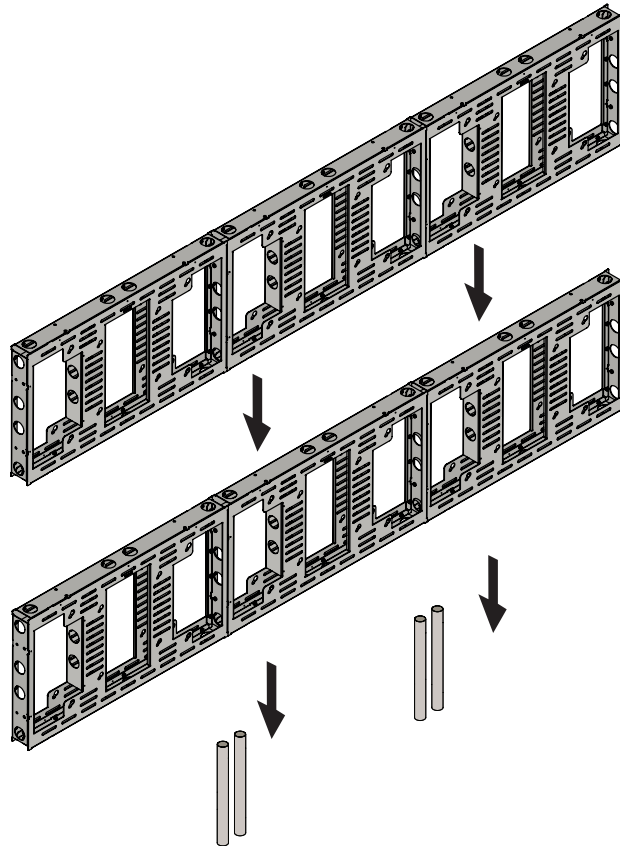
The arrows show where the M8 x 16mm pan Phillips screws can go from inside to fasten MVW46s together.

Figure 1

If you are fastening multiple MVW46s, use the M8 x 16mm pan Phillips screws provided to fasten them together from inside the frames (Figure 1).



To safely install rows of multiple MVW46s, fasten them first in individual rows, then insert the tubing of the dual-pole cart or stand into each row. After that, fasten the rows together (Figure 2).



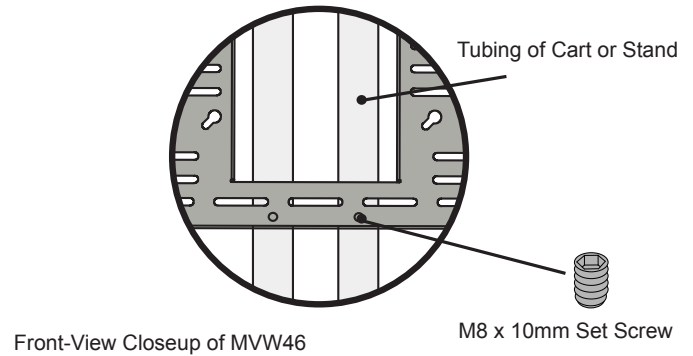
An example of fastening multiple MVW46s in rows.

Figure 2



Step 3

- 1 Slide the MVW46 to the desired height on the dual-pole cart or stand.
- 2 Insert four (4) M8 x 10mm set screws into the MVW46 screw holes near the tubing (see drawing).
- 3 Tighten the screws against the MVW46 and tubing.

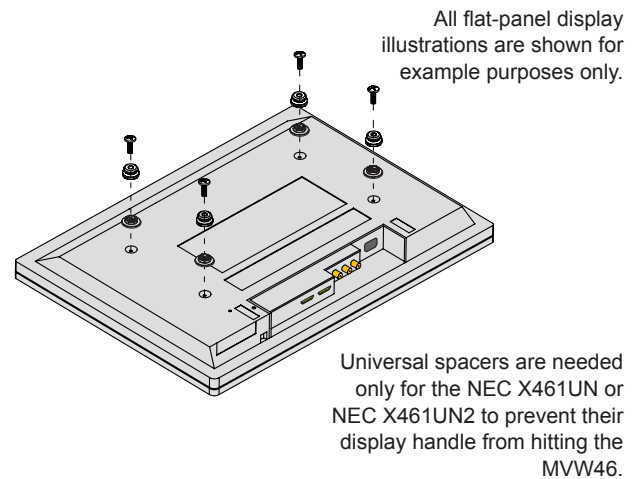


Step 4

- If you are installing a **Samsung 460UT** or **Samsung 460UT-2**, attach four (4) 8mm quick-release buttons and four (4) M8 x 20mm pan Phillips screws to the display's back mounting holes.
- If you are installing an **NEC X461UN** or **NEC X461UN2**, attach four (4) universal spacers, four (4) 6mm quick-release buttons and four (4) M6 x 30mm pan Phillips screws to the display's back mounting holes.





Do not overtighten the screws.



Step 5

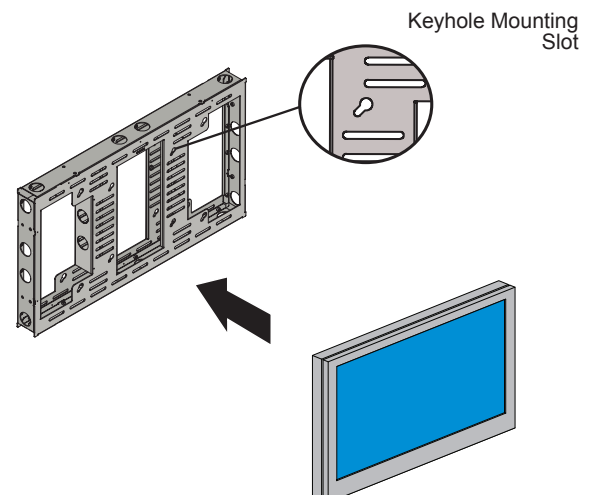
Attach the flat-panel display to either side of the MVW46 by inserting the display's quick-release buttons into the keyhole mounting slots on the MVW46, locking them into place.



To align a videowall better, attach the first flat-panel display in the lower-left corner if the keyhole mounting slots point down-left , or attach it to the lower-right corner if the keyhole mounting slots point down-right . Then install the rest of the displays working clockwise.



The **Samsung 460UT** or **Samsung 460UT-2** should fit into the MVW46's outer keyhole mounting slots. The **NEC X461UN** or **NEC X461UN2** should fit into the MVW46's inner keyhole mounting slots.





Flying Installation

Step 1

Illustrations show only some of the installation configurations possible with the MVW46s.

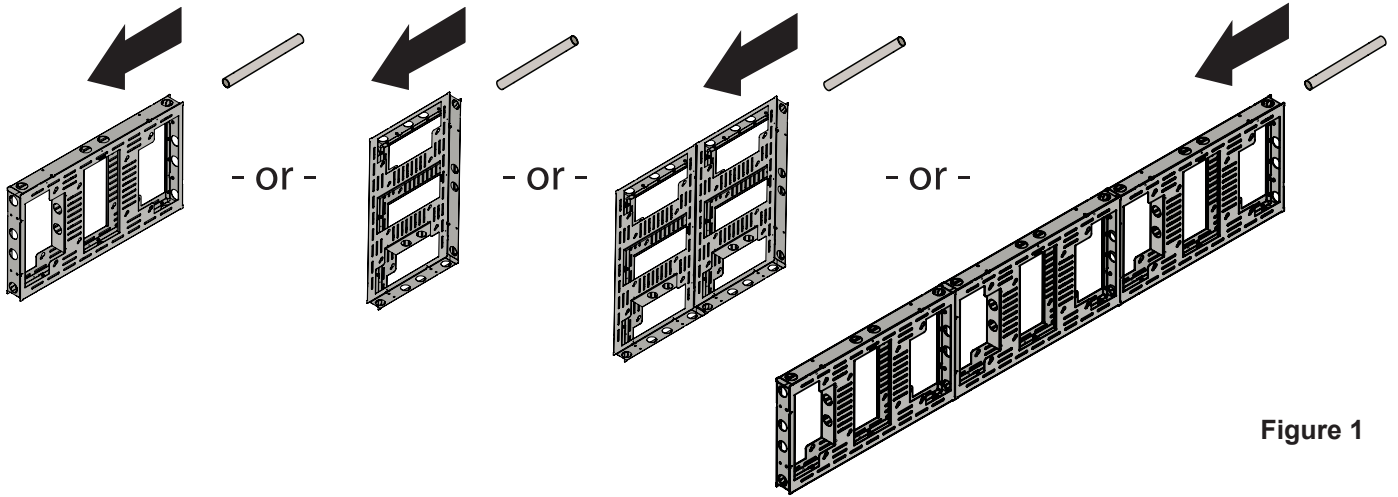


Figure 1

If flying the MVW46(s), insert a heavy-duty steel tube (not included) into the frames' upper 2" circular cutouts (Figure 1).



Appropriate tubing and rigging hardware must be used to support a minimum of 4 times the combined weight of all the flat-panel displays and MVW46s used.



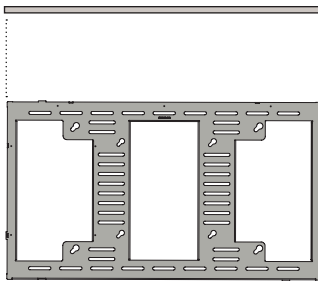
The steel tube must be long enough to span the entire width of the frame(s) (Figure 2).



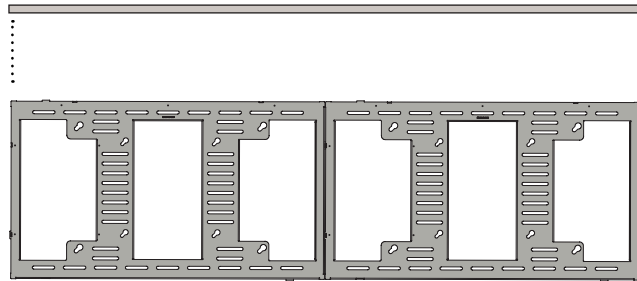
Illustrations show only some of the installation configurations possible with the MVW46s.

Heavy-Duty Steel Tube

Heavy-Duty Steel Tube



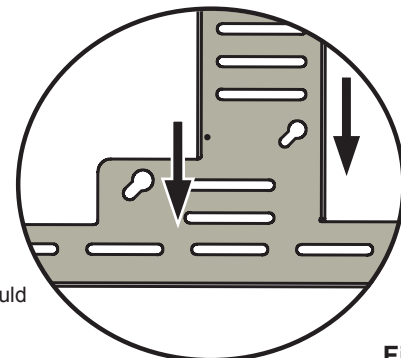
- or -



MVW46

MVW46s

Figure 2

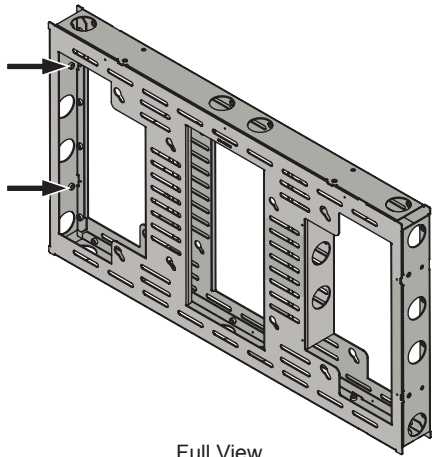


The keyhole mounting slots should point downward.

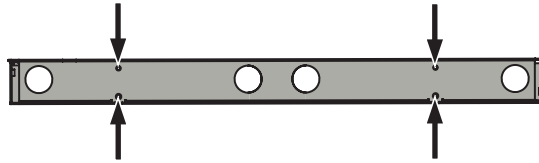
Figure 3



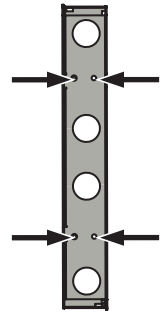
Step 2



Full View



Top/Bottom View



Side View

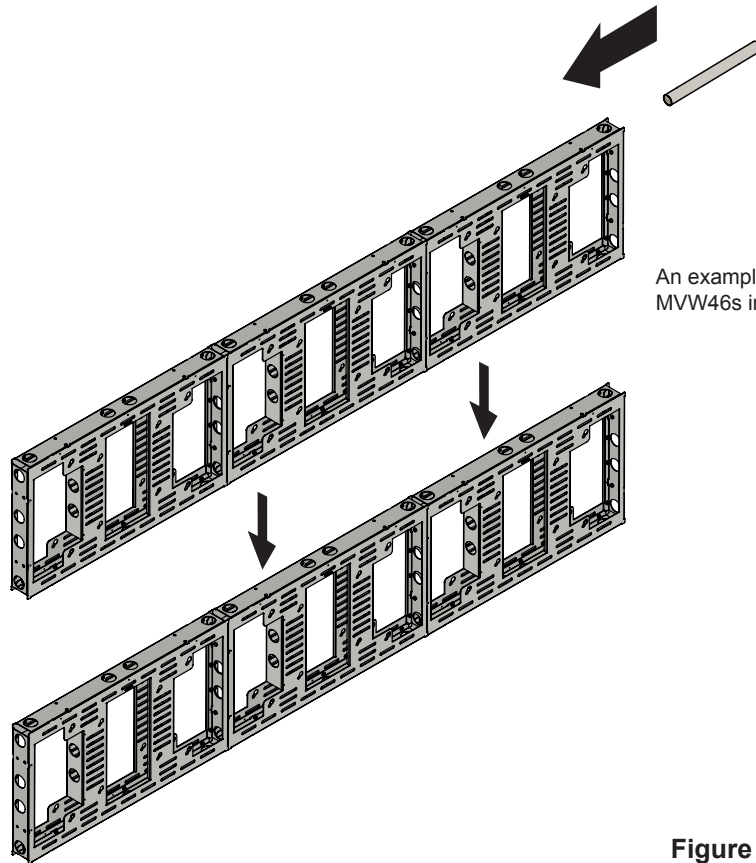
The arrows show where the M8 x 16mm pan Phillips screws can go from inside to fasten MVW46s together.

Figure 1

If you are fastening multiple MVW46s, use the M8 x 16mm pan Phillips screws provided to fasten them together from inside the frames (Figure 1).



To safely install rows of multiple MVW46s, fasten them first in individual rows, then fasten the rows together. After that, insert the heavy-duty plastic tube (Figure 2).



An example of fastening multiple MVW46s in rows.

Figure 2



Step 3

- 1 Slide the MVW46 to the desired position against the tube.
- 2 Insert two (2) M8 x 10mm set screws into the corner screw holes above the tube (Figure 1).
- 3 Tighten the screws against the MVW46 and the tube.
- 4 Inside the MVW46, wrap and secure rigging/flying hardware (not included) around the tube (Figure 2).

Front-View Closeup of MVW46

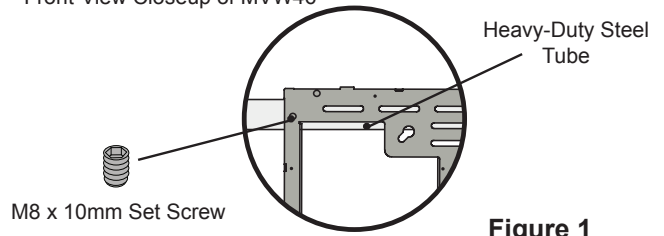


Figure 1



WARNING!

Do not install the rigging/flying hardware or fly the MVW46(s) unless you are a qualified A/V installation professional.

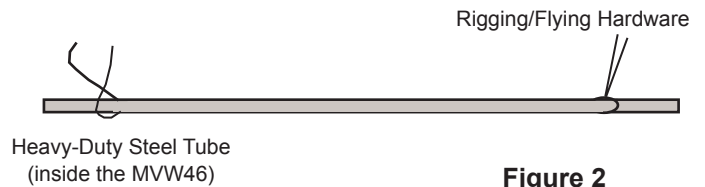


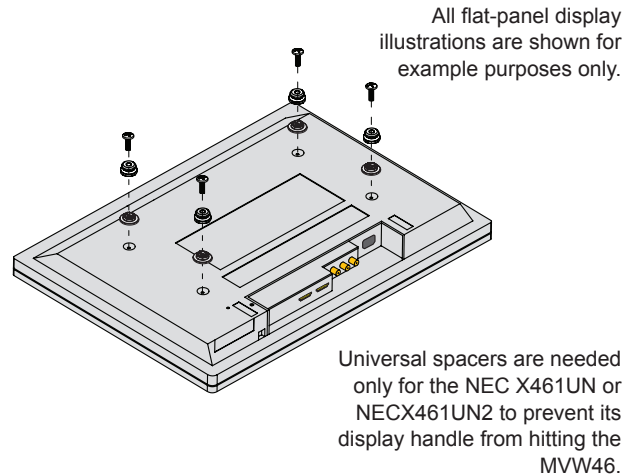
Figure 2

Step 4

- If you are installing a **Samsung 460UT** or **Samsung 460UT-2**, attach four (4) 8mm quick-release buttons and four (4) M8 x 20mm pan Phillips screws to the display's back mounting holes.
- If you are installing an **NEC X461UN** or **NEC X461UN2**, attach four (4) universal spacers, four (4) 6mm quick-release buttons and four (4) M6 x 30mm pan Phillips screws to the display's back mounting holes.



Do not overtighten the screws.



Step 5

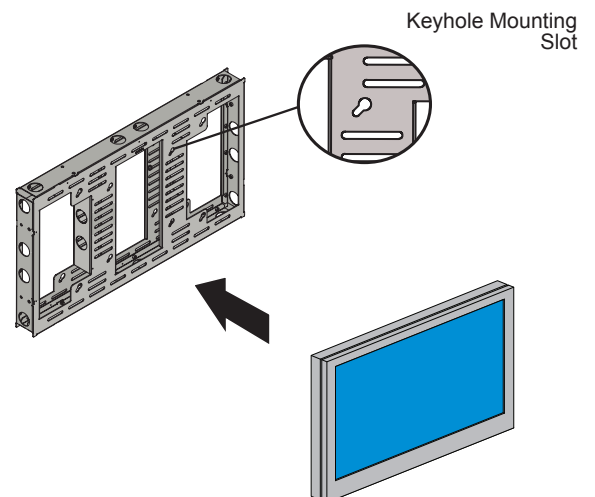
Attach the flat-panel display to either side of the MVW46 by inserting the display's quick-release buttons into the keyhole mounting slots on the MVW46, locking them into place.



To align a videowall better, attach the first flat-panel display in the lower-left corner if the keyhole mounting slots point down-left, or attach it to the lower-right corner if the keyhole mounting slots point down-right. Then install the rest of the displays working clockwise.



The **Samsung 460UT** or **Samsung 460UT-2** should fit into the MVW46's outer keyhole mounting slots. The **NEC X461UN** or **NEC X461UN2** should fit into the MVW46's inner keyhole mounting slots.

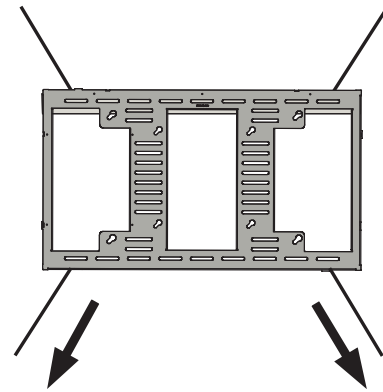




Step 6

- ❶ Use the rigging/flying hardware to safely suspend the MVW46(s) overhead.
 - ❷ To set the tilt angle, attach additional cables to the bottom of the frames and pull to the desired angle (see drawing).
- ⚠ Re-check all hardware and installation for proper tightness and security.

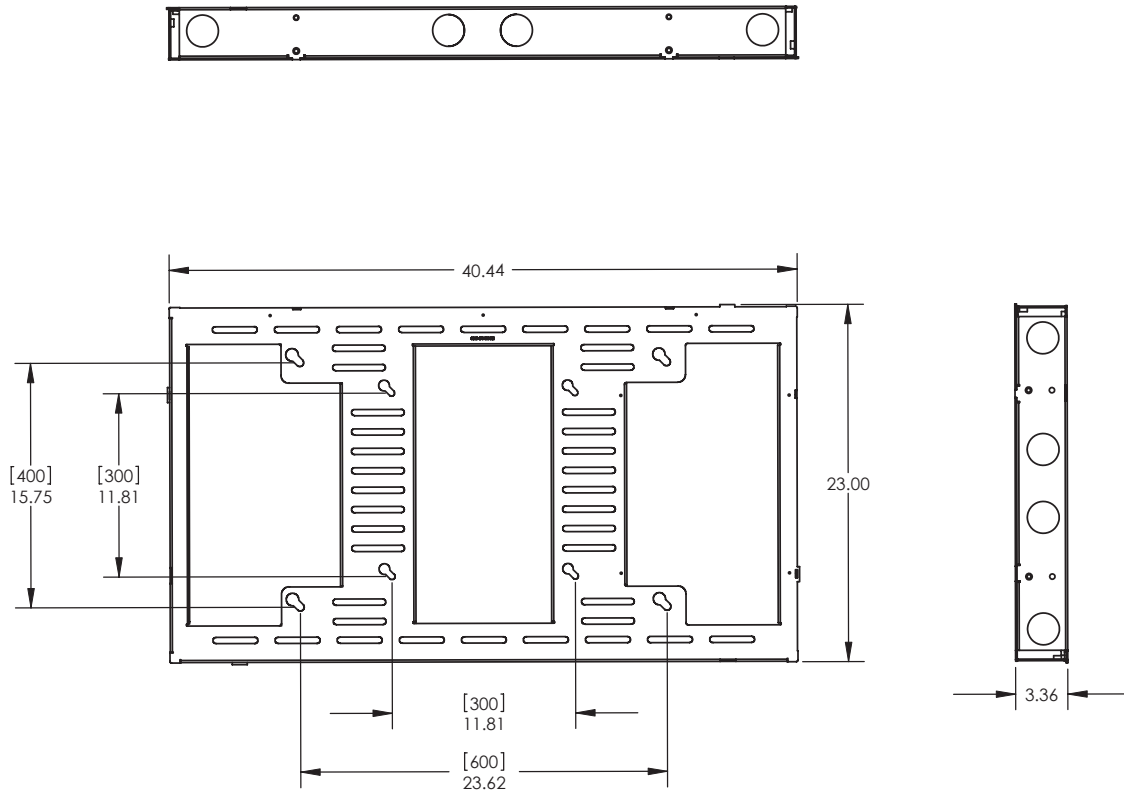
Rigging/Flying Hardware



Pull additional cables at the bottom of the frames to adjust the tilt.

Technical Specifications

All measurements are in inches [mm].





Warranty

PREMIER MOUNTS

LIMITED LIFETIME WARRANTY

What and Who is Covered by this Limited Warranty and for How Long

Premier Mounts warrants this product to be free from defects in material and workmanship for the lifetime of the original owner of this product. The limited warranty is valid only for the original purchaser of the product.

What Premier Mounts Will Do

At the sole option of Premier Mounts, Premier Mounts will repair or replace any product or product part that is defective. If Premier Mounts chooses to replace a defective product or part, a replacement product or part will be shipped to you at no charge, but you must pay any labor costs.

What is Not Covered; Limitations

PREMIER MOUNTS DISCLAIMS ANY LIABILITY FOR DAMAGE TO MOUNTS, ADAPTERS, DISPLAYS, PROJECTORS, OTHER PROPERTY, OR PERSONAL INJURY RESULTING, IN WHOLE OR IN PART, FROM IMPROPER INSTALLATION, MODIFICATION, USE OR MISUSE OF ITS PRODUCTS.

PREMIER MOUNTS DISCLAIMS ALL OTHER WARRANTIES, EXPRESS OR IMPLIED, INCLUDING WARRANTIES OF MERCHANTABILITY AND FITNESS FOR A PARTICULAR PURPOSE. PREMIER MOUNTS IS NOT RESPONSIBLE FOR INCIDENTAL OR CONSEQUENTIAL DAMAGES, INCLUDING BUT NOT LIMITED TO, INABILITY TO USE ITS PRODUCTS OR LABOR COSTS FOR REMOVING AND REPLACING DEFECTIVE PRODUCTS OR PARTS. SOME STATES DO NOT ALLOW THE EXCLUSION OR LIMITATION OF INCIDENTAL OR CONSEQUENTIAL DAMAGES, SO THE ABOVE LIMITATION OR EXCLUSION MAY NOT APPLY TO YOU.

What Customers Must Do for Limited Warranty Service

If you discover a problem that you think may be covered by the warranty you MUST REPORT it in writing to the address below within thirty (30) days. Proof of purchase (an original sales receipt) from the original consumer purchaser must accompany all warranty claims. Warranty claims must also include a description of the problem, the purchaser's name, address, and telephone number. General inquiries can be addressed to Premier Mounts Customer Service at 1-800-368-9700. Warranty claims will not be accepted over the phone or by fax.

Premier Mounts
Attn: Warranty Claim
3130 East Miraloma Ave.
Anaheim, CA 92806

How State Law Applies

THIS WARRANTY GIVES YOU SPECIFIC LEGAL RIGHTS, AND YOU MAY ALSO HAVE OTHER RIGHTS WHICH VARY FROM STATE TO STATE.

Disclaimer

Premier Mounts intends to make this manual accurate and complete. However, Premier Mounts makes no claim that the information contained herein covers all details, conditions or variations, nor does it provide for every possible contingency in connection with the installation or use of this product. The information contained in this document is subject to change without notice or obligation of any kind. Premier Mounts makes no representation of warranty, expressed or implied, regarding the information contained herein. Premier Mounts assumes no responsibility for accuracy, completeness or sufficiency of the information contained in this document.