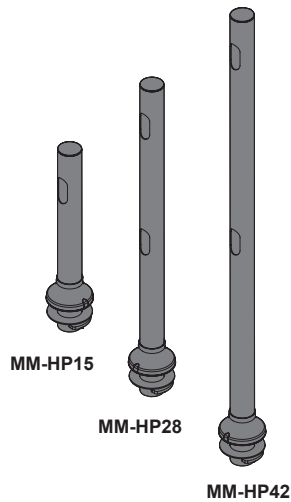


Introduction

The MM-HP15 is the 15" single pole for multi-monitor mounts with base for grommet hole installation. The MM-HP28 is the 28" version, and the MM-HP42 is the 42" version. These three different pole sizes provide more mounting options for those installing multi-monitor mounts. The larger the pole, the more displays that can be mounted per single base. The grommet hole base option installs on any tabletop with a standard 2 1/8" cable routing hole.



Parts List

15"	28"	42"	
MM-HP15/28/42 (Varied sized pole with cable routing hole) (Qty 1)			

Step 1

Multi-monitor mounts with grommet hole bases easily install on any tabletop with a standard 2 1/8" cable routing hole.

First, determine where you would like your multi-monitor mount positioned on your desired surface. The mounting surface should be capable of supporting 5x the weight of the flat-panel and mount. (Mount sold separately)

? Are you installing your pole to a surface with a pre-existing grommet hole?

If yes, proceed to step 2...

If no, follow instructions below

Recommended tool for next step is a hole saw
(Not larger than 2 1/4") See figure 1 for example.

1. Drill a hole no larger than 2 1/4" though the desired surface with your hole saw.

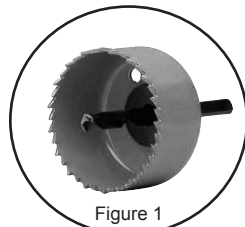
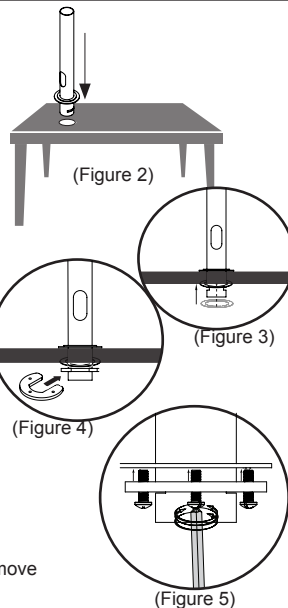


Figure 1

Step 2

1. Position your pole above the hole and place the pole through the hole until the welded steel ring is resting on the surface (Figure 2).
2. Slide the stabilizing steel ring up the bottom of the tube from below your installation surface (Figure 3).
3. Slide the horseshoe locking plate through the keyways on the bottom of the tube below the table (Figure 4).
4. Insert the (3) M6 x 20mm combination screws through the holes visible on the bottom of the horseshoe locking plate.
5. Screw them in until they are pressing the stabilizing ring tightly to the surface.



(Figure 2)

(Figure 3)

(Figure 4)

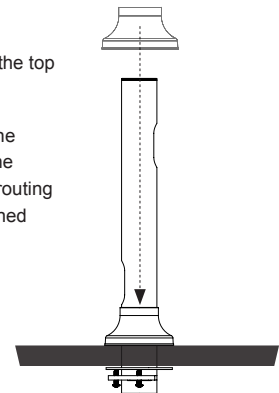
(Figure 5)

! Test the stability of the pole by trying to move it. It should remain sturdy and hold tight.

Step 3

Once you have made certain that the pole is secure to the surface

1. Slide the plastic tube cover over the top of the now secure pole.
2. The cover should be moved to the surface of the table to conceal the welded steel ring and the cable routing hole to provide a clean and finished appearance.



PREMIER MOUNTS

LIMITED LIFETIME WARRANTY

What and Who is Covered by this Limited Warranty and for How Long

Premier Mounts warrants this product to be free from defects in material and workmanship for the lifetime of the original owner of this product. The limited warranty is valid only for the original purchaser of the product.

What Premier Mounts Will Do

At the sole option of Premier Mounts, Premier Mounts will repair or replace any product or product part that is defective. If Premier Mounts chooses to replace a defective product or part, a replacement product or part will be shipped to you at no charge, but you must pay any labor costs.

What is Not Covered; Limitations

PREMIER MOUNTS DISCLAIMS ANY LIABILITY FOR DAMAGE TO MOUNTS, ADAPTERS, DISPLAYS, PROJECTORS, OTHER PROPERTY, OR PERSONAL INJURY RESULTING, IN WHOLE OR IN PART, FROM IMPROPER INSTALLATION, MODIFICATION, USE OR MISUSE OF ITS PRODUCTS. PREMIER MOUNTS DISCLAIMS ALL OTHER WARRANTIES, EXPRESS OR IMPLIED, INCLUDING WARRANTIES OF MERCHANTABILITY AND FITNESS FOR A PARTICULAR PURPOSE. PREMIER MOUNTS IS NOT RESPONSIBLE FOR INCIDENTAL OR CONSEQUENTIAL DAMAGES, INCLUDING BUT NOT LIMITED TO, INABILITY TO USE ITS PRODUCTS OR LABOR COSTS FOR REMOVING AND REPLACING DEFECTIVE PRODUCTS OR PARTS. SOME STATES DO NOT ALLOW THE EXCLUSION OR LIMITATION OF INCIDENTAL OR CONSEQUENTIAL DAMAGES, SO THE ABOVE LIMITATION OR EXCLUSION MAY NOT APPLY TO YOU.

What Customers Must Do for Limited Warranty Service

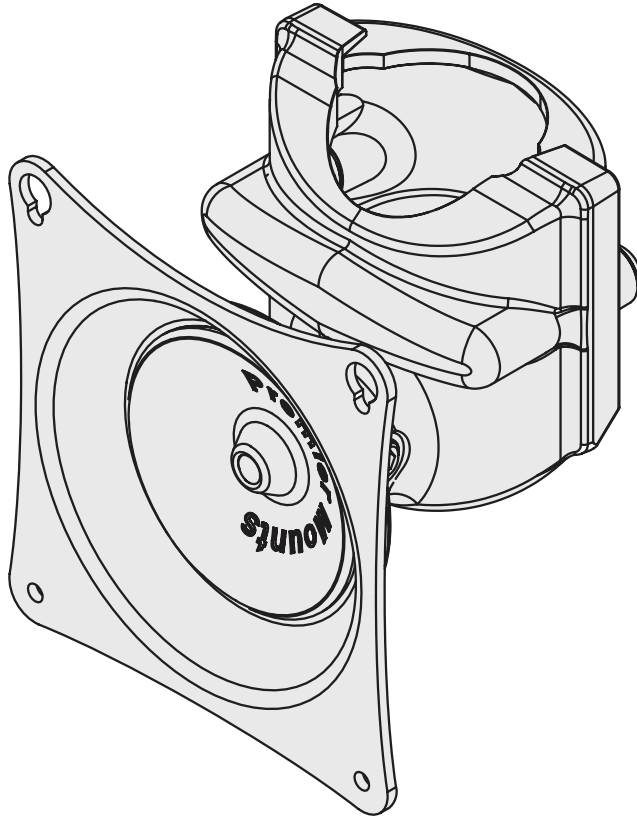
If you discover a problem that you think may be covered by the warranty you MUST REPORT it in writing to the address below within thirty (30) days. Proof of purchase (an original sales receipt) from the original consumer purchaser must accompany all warranty claims. Warranty claims must also include a description of the problem, the purchaser's name, address, and telephone number. General inquiries can be addressed to Premier Mounts Customer Service at 1-800-368-9700. Warranty claims will not be accepted over the phone or by fax.

Premier Mounts
Attn: Warranty Claim
3130 East Miraloma Ave.
Anaheim, CA 92806

How State Law Applies

THIS WARRANTY GIVES YOU SPECIFIC LEGAL RIGHTS, AND YOU MAY ALSO HAVE OTHER RIGHTS WHICH VARY FROM STATE TO STATE.

INSTALLATION INSTRUCTIONS



VPM-100
VESA Pole Mount

NORTH AMERICA

3130 East Miraloma Avenue
Anaheim, CA 92806 USA
USA and Canada
Phone: 1.800.368.9700
Fax: 1.800.832.4888
Other Locations
Phone: (001).714.632.7100
Fax: (001).714.632.1044

EUROPE

Unit 3, The Moorings Business Park,
Channel Way, Longford,
Coventry, CV6 6RH, UK
Phone: +44 (0)24 7664 4105
Fax: +44 (0)24 7664 4165



Contents

Weight Limit..... 2

Warning Statements..... 2

Installation Tools..... 3

Parts List..... 3

Features..... 4

Opening the Collar Clasp..... 5

Attaching the Flat-Panel to the VPM-100 Mount..... 5

Attaching the VPM-100 Mount to a Pole..... 6

Adjusting the VPM-100 Mount Tension..... 6

Installing Multiple VPM-100s (Optional)..... 7

Technical Specifications..... 7

Warranty..... 8

Weight Limit

Maximum Flat-Panel Weight: **50 lbs.**

Warning Statements



PRIOR TO THE INSTALLATION OF THIS PRODUCT, THE INSTALLATION INSTRUCTIONS MUST BE READ AND COMPLETELY UNDERSTOOD. KEEP THESE INSTALLATION INSTRUCTIONS IN AN EASILY ACCESSIBLE LOCATION FOR FUTURE REFERENCE.



PROPER INSTALLATION PROCEDURE BY A QUALIFIED SERVICE TECHNICIAN MUST BE FOLLOWED, AS OUTLINED IN THESE INSTALLATION INSTRUCTIONS. FAILURE TO DO SO COULD RESULT IN PROPERTY DAMAGE, SERIOUS PERSONAL INJURY, OR EVEN DEATH.



SAFETY MEASURES MUST BE PRACTICED AT ALL TIMES DURING THE ASSEMBLY OF THIS PRODUCT. USE PROPER SAFETY EQUIPMENT AND TOOLS FOR THE ASSEMBLY PROCEDURE TO PREVENT PERSONAL INJURY.



PREMIER MOUNTS DOES NOT WARRANT AGAINST DAMAGE CAUSED BY THE USE OF ANY PREMIER MOUNTS PRODUCT FOR PURPOSES OTHER THAN THOSE FOR WHICH IT WAS DESIGNED OR DAMAGE CAUSED BY UNAUTHORIZED ATTACHMENTS OR MODIFICATIONS, AND IS NOT RESPONSIBLE FOR ANY DAMAGES, CLAIMS, DEMANDS, SUITS, ACTIONS OR CAUSES OF ACTION OF WHATEVER KIND RESULTING FROM, ARISING OUT OF OR IN ANY MANNER RELATING TO ANY SUCH USE, ATTACHMENTS OR MODIFICATIONS.



At least two qualified people should perform the assembly procedure. Personal injury and/or property damage can result from dropping or mishandling the flat-panel.



Be aware of the mounting environment. If drilling and/or cutting into the mounting surface, always make sure that there are no electrical wires in wall. Cutting or drilling into an electrical line may cause serious personal injury.



Make sure there are no water or natural gas lines inside the wall where the mount is to be located. Cutting or drilling into a water or gas line may cause severe property damage or personal injury.



This product is intended for indoor use only. Use of this product outdoors could lead to product failure and/or serious personal injury.



Do not install near sources of high heat. Do not install on a structure that is prone to vibration, movement or chance of impact.



Contact Premier Mounts with any questions:
(800) 368-9700
techsupport@mounts.com



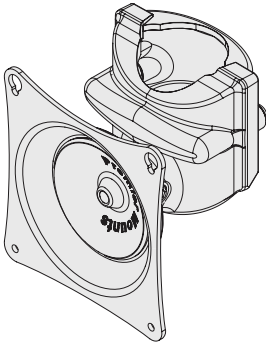




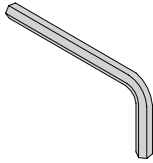
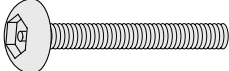
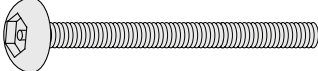
Installation Tools

The following tool may be required depending on your installation.



Parts List

Make sure none of the Premier Mounts parts are missing and/or damaged before beginning installation. If there are, stop the installation and call Premier Mounts at (800) 368-9700.

VPM-100 Components		
 VESA Pole Mount (Qty 1)	 M4 x 10mm Pan Combo Screw (Qty 4)	 M4 x 10mm Security Screw (Qty 4)
	 M4 x 12mm Pan Combo Screw (Qty 4)	 M4 x 12mm Security Screw (Qty 4)
 M5 Security Allen Wrench (Qty 1)	 M8 x 40mm Security Screw (Qty 2)	 M8 x 60mm Security Screw (Qty 2)



Features

The VPM-100 VESA Pole Mount packs many features that make it one of the best mounts for flat-panels up to 32". Its attachment head uses a 100 x 100mm VESA mounting pattern to fit a majority of flat-panels. For the optimal viewing angle, adjust the mount using its Radial Glide® feature, which offers up to 12° of smooth adjustment in any direction.

The VPM-100 fits 1-1/2" and 2" tubing, as well as Premier Mounts' own elliptical tubing, for carts, stands and ceiling poles. The mount's unique collar clasp design allows you to combine VPM-100s on a pole for back-to-back flat-panel installations.

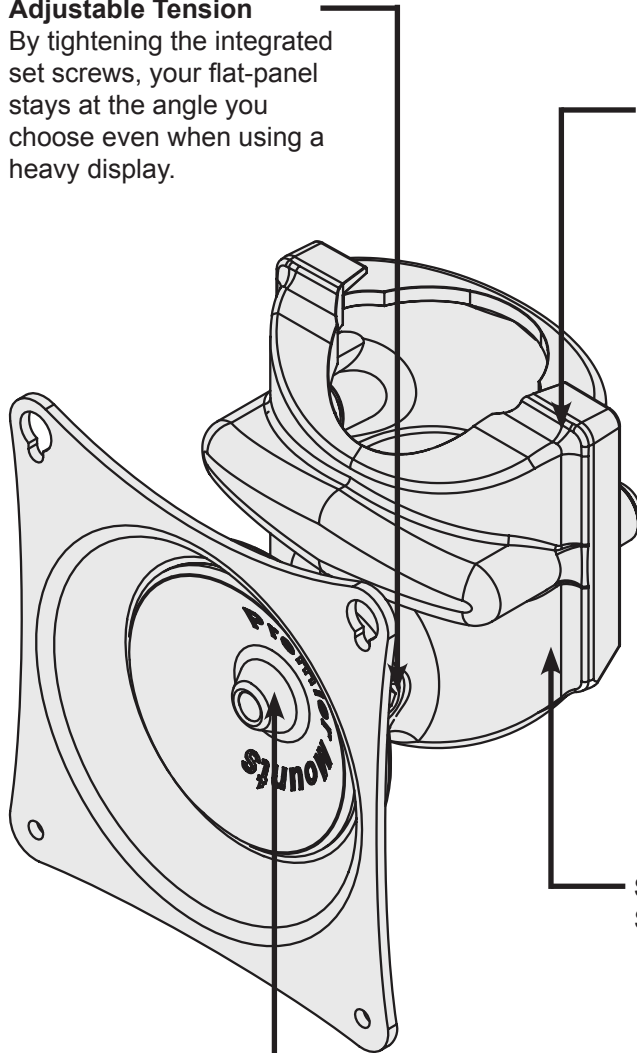
The VPM-100 also includes Lock-It™ security hardware to enhance security in every installation scenario.

Adjustable Tension

By tightening the integrated set screws, your flat-panel stays at the angle you choose even when using a heavy display.

Fits Many Pipes

The collar clasp can be adjusted to fit 1-1/2" and 2" tubing, as well as Premier Mounts' own elliptical tubing.



Stylish Design

Sleek and unobtrusive, yet sturdy.

Radial Glide Technology™

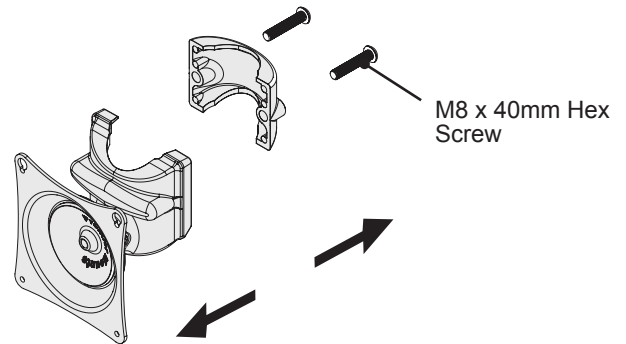
The attachment head has 360° rotation and 12° of pivot for optimal viewing of your flat-panel.



Opening the Collar Clasp

Remove the M8 x 40mm hex screws from the sides of the VPM-100 to open the collar clasp and begin installation.

Proceed to the “**Attaching the Flat-Panel to the VPM-100 Mount**” section.



Attaching the Flat-Panel to the VPM-100 Mount

Insert four (4) M4 x 10mm screws through the VPM-100 attachment head and 100 x 100mm pattern of the flat-panel.

Drawing not to scale.



You may use either the M4 x 10mm pan combo or security screws that are in the hardware pack.

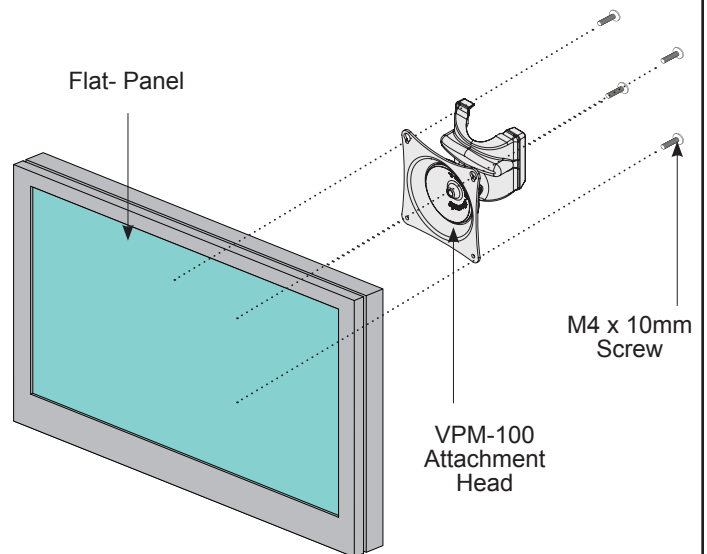


If the M4 x 10 screws are too short for the flat-panel, use the M4 x 12mm pan combo or security screws instead.



Do not overtighten the mounting hardware.



Proceed to the “**Attaching the VPM-100 Mount to a Pole**” section.





Attaching the VPM-100 Mount to a Pole

Re-insert the M8 x 40mm hex screws or insert M8 x 40mm security screws into the two halves of the VPM-100 to clasp them around the pole at the desired position (Figure 1).

-  At least two qualified people are needed to attach the flat-panel and VPM-100 to a pole.
-  If you are using a 2" pipe, replace the M8 x 40mm hex screws with M8 x 60mm security screws (Figure 2).

Proceed to the “Adjusting the VPM-100 Mount Tension” section.

Drawing not to scale.

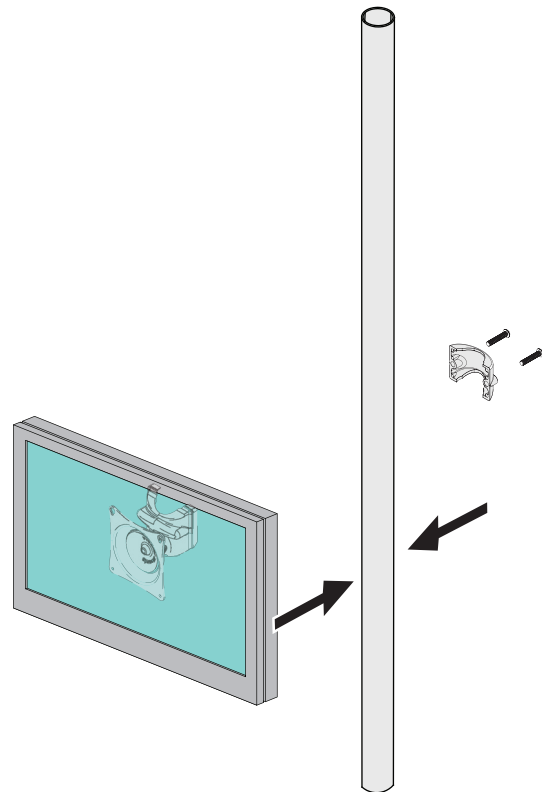


Figure 1

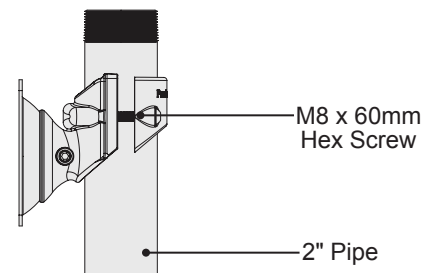



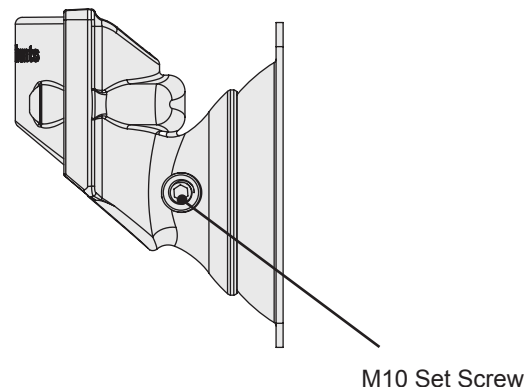
Figure 2

Adjusting the VPM-100 Mount Tension

Your VPM-100 ships from the factory pre-tensioned. However, you can fine-tune adjust the amount of pressure required to move the attachment head of the VPM-100.

Use the M5 security Allen wrench to adjust the tension by loosening or tightening the M10 set screws pre-installed on each side of the VPM-100.

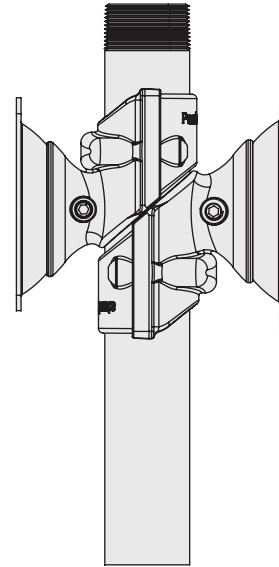
-  Do not overtighten or remove the set screws.





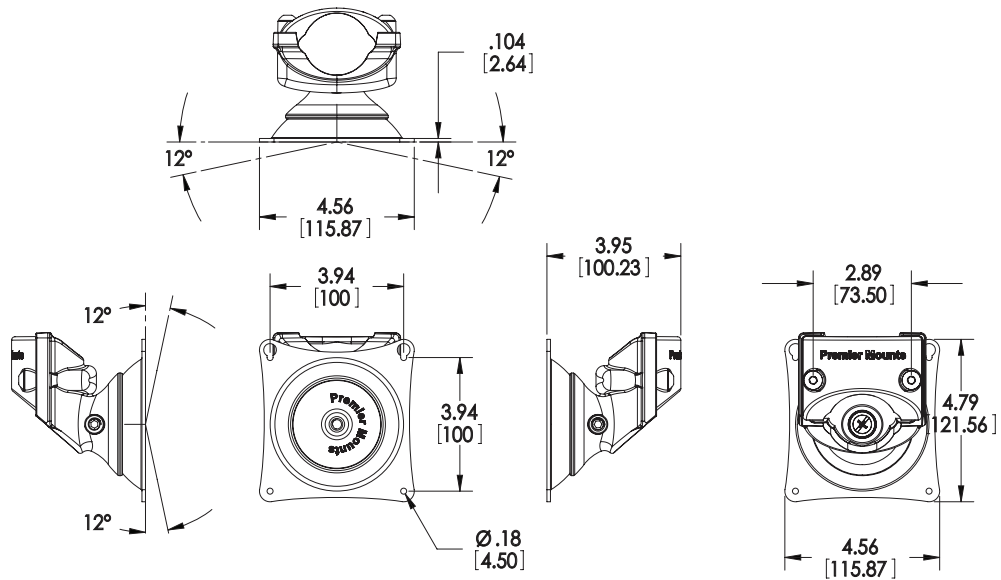
Installing Multiple VPM-100s (Optional)

You can attach multiple VPM-100s to a pole for back-to-back flat-panel installations.



Technical Specifications

All measurements are in inches [millimeters].





Warranty

PREMIER MOUNTS LIMITED LIFETIME WARRANTY

What and Who is Covered by this Limited Warranty and for How Long

Premier Mounts warrants this product to be free from defects in material and workmanship for the lifetime of the original owner of this product. The limited warranty is valid only for the original purchaser of the product.

What Premier Mounts Will Do

At the sole option of Premier Mounts, Premier Mounts will repair or replace any product or product part that is defective. If Premier Mounts chooses to replace a defective product or part, a replacement product or part will be shipped to you at no charge, but you must pay any labor costs.

What is Not Covered; Limitations

PREMIER MOUNTS DISCLAIMS ANY LIABILITY FOR DAMAGE TO MOUNTS, ADAPTERS, DISPLAYS, PROJECTORS, OTHER PROPERTY, OR PERSONAL INJURY RESULTING, IN WHOLE OR IN PART, FROM IMPROPER INSTALLATION, MODIFICATION, USE OR MISUSE OF ITS PRODUCTS.

PREMIER MOUNTS DISCLAIMS ALL OTHER WARRANTIES, EXPRESS OR IMPLIED, INCLUDING WARRANTIES OF MERCHANTABILITY AND FITNESS FOR A PARTICULAR PURPOSE. PREMIER MOUNTS IS NOT RESPONSIBLE FOR INCIDENTAL OR CONSEQUENTIAL DAMAGES, INCLUDING BUT NOT LIMITED TO, INABILITY TO USE ITS PRODUCTS OR LABOR COSTS FOR REMOVING AND REPLACING DEFECTIVE PRODUCTS OR PARTS. SOME STATES DO NOT ALLOW THE EXCLUSION OR LIMITATION OF INCIDENTAL OR CONSEQUENTIAL DAMAGES, SO THE ABOVE LIMITATION OR EXCLUSION MAY NOT APPLY TO YOU.

What Customers Must Do for Limited Warranty Service

If you discover a problem that you think may be covered by the warranty you **MUST REPORT** it in writing to the address below within thirty (30) days. Proof of purchase (an original sales receipt) from the original consumer purchaser must accompany all warranty claims. Warranty claims must also include a description of the problem, the purchaser's name, address, and telephone number. General inquiries can be addressed to Premier Mounts Customer Service at 1-800-368-9700. Warranty claims will not be accepted over the phone or by fax.

Premier Mounts
Attn: Warranty Claim
3130 East Miraloma Ave.
Anaheim, CA 92806

How State Law Applies

THIS WARRANTY GIVES YOU SPECIFIC LEGAL RIGHTS, AND YOU MAY ALSO HAVE OTHER RIGHTS WHICH VARY FROM STATE TO STATE.

Disclaimer

Premier Mounts intends to make this manual accurate and complete. However, Premier Mounts makes no claim that the information contained herein covers all details, conditions or variations, nor does it provide for every possible contingency in connection with the installation or use of this product. The information contained in this document is subject to change without notice or obligation of any kind. Premier Mounts makes no representation of warranty, expressed or implied, regarding the information contained herein. Premier Mounts assumes no responsibility for accuracy, completeness or sufficiency of the information contained in this document.