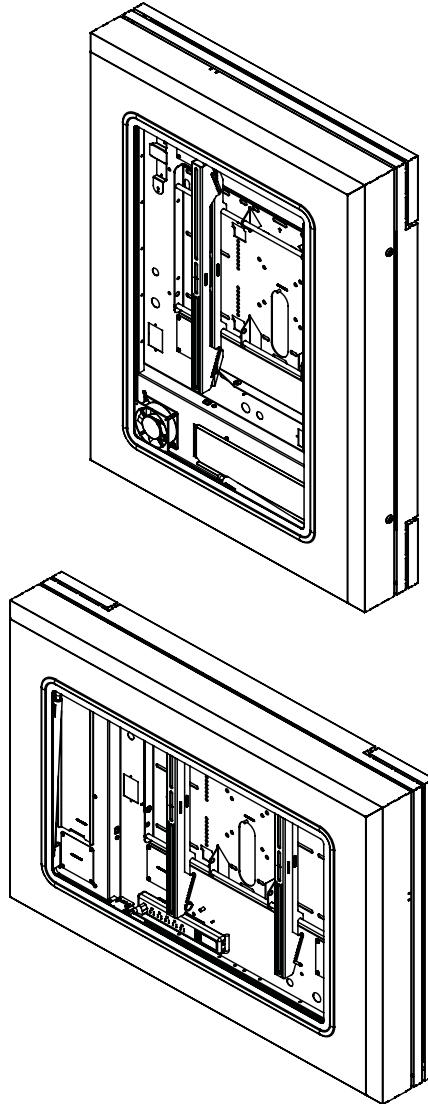


INSTALLATION INSTRUCTIONS



GB-ENCL52
Universal Enclosure

NORTH AMERICA
3130 East Miraloma Avenue
Anaheim, CA 92806 USA
USA and Canada –
Phone: 800-368-9700
Fax: 800-832-4888

EUROPE
Swallow House,
Shilton Industrial Estate,
Shilton, Coventry, England CV79JY
Phone: +44 (0) 2476 614700
Fax: +44 (0) 2476 614710

Other Locations – Phone: (001)-714-632-7100; Fax: (001)-714-632-1044
©Premier Mounts 2010



Table of Contents

Warning Statements.....2

Parts List.....3

Installation Tools.....3

GB-ENCL52 Layout6

Thread Depth Indicator.....7

Determining the Center of the Display.....8

Positioning the Mounting Brackets.....9

Securing the Mounting Brackets.....11

Marking the Wall.....12

Securing the Wall Plate - Horizontal Orientation13

Horizontal Installation14

Securing the Wall Plate - Vertical Installation.....15

Vertical Installation.....16

Securing the Display to the Enclosure - Horizontal Orientation17

Securing the Display to the Enclosure - Vertical Orientation18

Maintenance.....19

Technical Specifications.....20

Warranty.....21

Warning Statements



PRIOR TO THE INSTALLATION OF THIS PRODUCT, THE INSTALLATION INSTRUCTIONS SHOULD BE READ AND COMPLETELY UNDERSTOOD. THE INSTALLATION INSTRUCTIONS MUST BE READ TO PREVENT PERSONAL INJURY AND PROPERTY DAMAGE. KEEP THESE INSTALLATION INSTRUCTIONS IN AN EASILY ACCESSIBLE LOCATION FOR FUTURE REFERENCE.



PREMIER MOUNTS DOES NOT WARRANT AGAINST DAMAGE CAUSED BY THE USE OF ANY PREMIER MOUNTS PRODUCT FOR PURPOSES OTHER THAN THOSE FOR WHICH IT WAS DESIGNED OR DAMAGE CAUSED BY UNAUTHORIZED ATTACHMENTS OR MODIFICATIONS, AND IS NOT RESPONSIBLE FOR ANY DAMAGES, CLAIMS, DEMANDS, SUITS, ACTIONS OR CAUSES OF ACTION OF WHATEVER KIND RESULTING FROM, ARISING OUT OF OR IN ANY MANNER RELATING TO ANY SUCH USE, ATTACHMENTS OR MODIFICATIONS.



THE WALL STRUCTURE MUST BE CAPABLE OF SUPPORTING 160 LBS. IF NOT, THE WALL STRUCTURE MUST BE REINFORCED. PROPER INSTALLATION PROCEDURE BY A QUALIFIED SERVICE TECHNICIAN, AS OUTLINED IN THE INSTALLATION INSTRUCTIONS, MUST BE ADHERED TO. FAILURE TO DO SO COULD RESULT IN SERIOUS PERSONAL INJURY, OR EVEN DEATH.



SAFETY MEASURES MUST BE PRACTICED AT ALL TIMES DURING THE INSTALLATION OF THIS PRODUCT. USE PROPER SAFETY GEAR AND TOOLS FOR THE INSTALLATION PROCEDURE TO PREVENT PERSONAL INJURY.



Indicates that the power plug is to be disconnected from the power outlet.



Contact Premier Mounts with any questions - (800) 368-9700.



Safety precautions must be taken at all times.



Warning and Caution statements.



It is recommended that a maximum of 5/8" plaster board be used when mounting to wooden studs.



Do not install on a structure that is prone to vibration, movement or chance of impact. Failure to do so could result in damage to the flat panel display and/or damage to the mounting surface.



Do not install near heater, fireplace, direct sunlight, air conditioning or any other source of direct heat energy. Failure to do so may result in damage to the flat panel display and could increase the risk of fire.



At least two qualified people should perform the installation procedure. Injury and/or damage can result from dropping or mishandling the flat panel display.

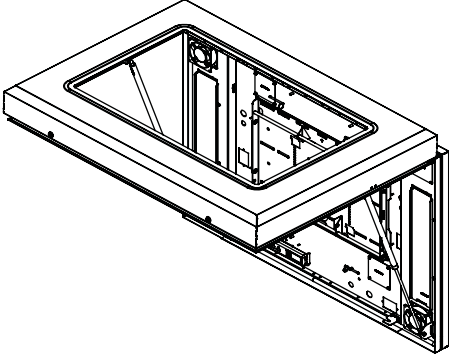
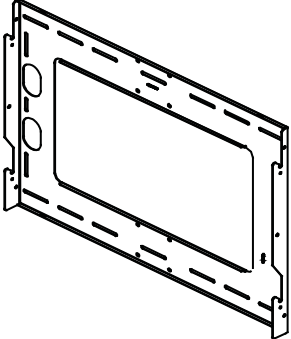
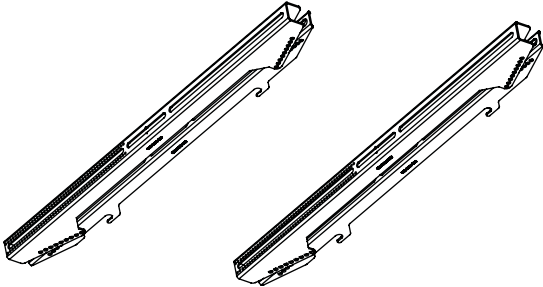
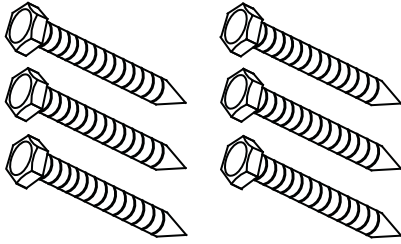
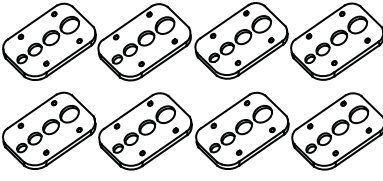
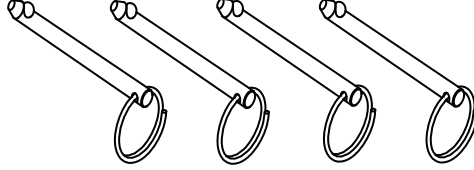
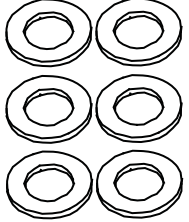


Parts List



Note

This enclosure is shipped with all proper installation hardware and components. Make sure that none of these parts are missing and/or damaged before beginning installation. If there are parts missing and/or damaged, please stop the installation and contact Premier Mounts (800-368-9700).

 <p>GB-ENCL52 (Qty 1)</p>	 <p>Wall Plate (Qty 1)</p>
 <p>Mounting Brackets (Qty 2)</p>	 <p>5/16" x 3" Lag Bolts - wooden studs only (Qty 6)</p>
 <p>Griplate™ (Qty 8)</p>	 <p>2-1/2" Quick Release Pins (Qty 4)</p>
 <p>5/16" Flat Washers (Qty 6)</p>	



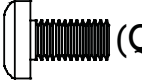

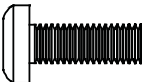
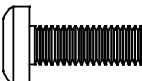

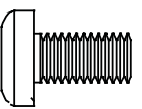
Installation Tools

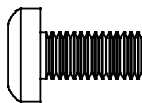
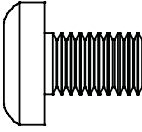
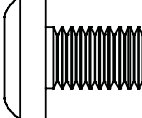
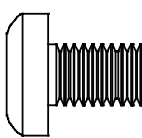
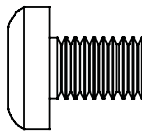
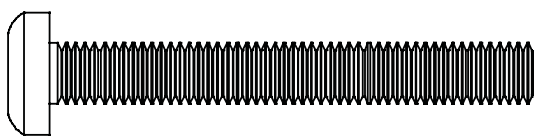
Soft Material/Blanket
 Pencil
 Tape Measure

1/2" Socket and Wrench
 Phillips Head Screw Driver
 Drill Gun

Thread Depth Indicator (Supplied)



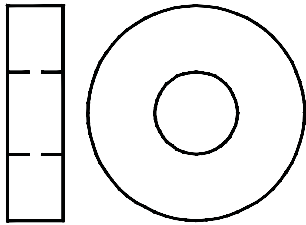
- M4 x 16  (Qty 8)
- M4 x 25  (Qty 4)
- M5 x 12  (Qty 8)
- M5 x 16  (Qty 6)
- M5 x 20  (Qty 6)
- M5 x 25  (Qty 4)
- M5 x 50  (Qty 4)
- M6 x 12  (Qty 8)

- M6 x 20  (Qty 6)
- M8 x 20  (Qty 6)
- M8 x 25  (Qty 6)
- M8 x 30  (Qty 6)
- M8 x 35  (Qty 4)
- M8 x 70  (Qty 4)

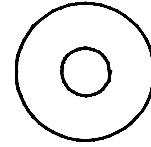
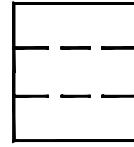


Note

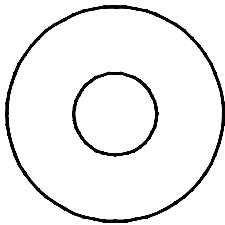
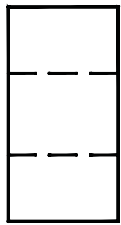
The nylon spacers may be stacked to achieve proper spacing.



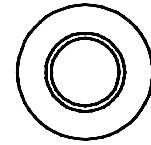
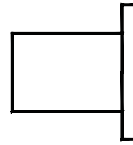
$\frac{1}{4}$ " Nylon Spacers
(Large)
(Qty 6)



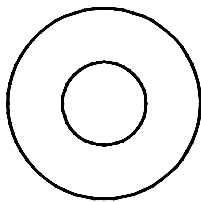
$\frac{9}{16}$ " Nylon Spacers
(Qty 6)



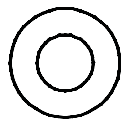
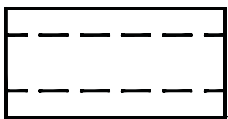
$\frac{1}{2}$ " Nylon Spacers
(Large)
(Qty 12)



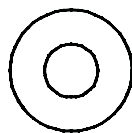
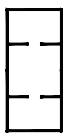
Nylon Sleeves
(Qty 4)



$\frac{5}{16}$ " Flat Washers
(Metal)
(Qty 6)



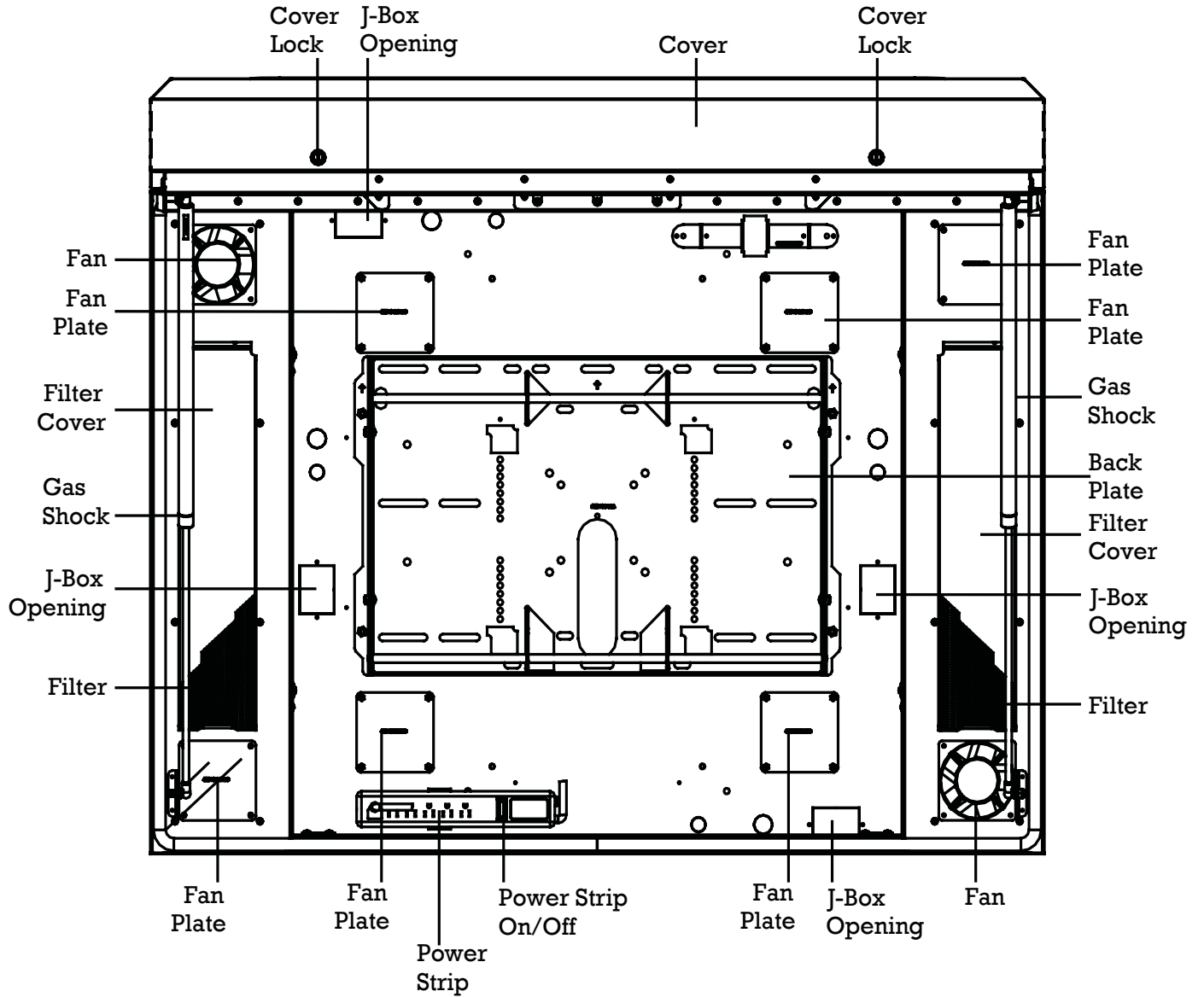
1" Nylon Spacers
(Qty 6)



$\frac{1}{4}$ " Nylon Spacers
(Small)
(Qty 6)



GB-ENCL52 Layout





Determining the Mounting Hardware

Step 1. Insert a small straw or toothpick into the threaded inserts found on the back of the flat panel.

Step 2. Use a pencil to mark the depth of the threaded insert on the small straw or toothpick.

Step 3. Mark the straw or toothpick 1/8" above the depth of the threaded insert, as shown in Figure 1.

Step 4. Insert the small straw or toothpick into the remaining threaded inserts to compare and verify their depth using the straw or toothpick's 1/8" allowance mark.

Step 5. Locate the correct diameter screw for the threaded insert.

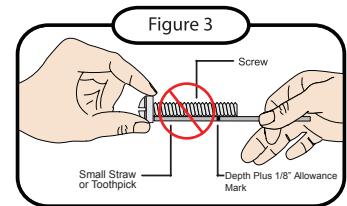
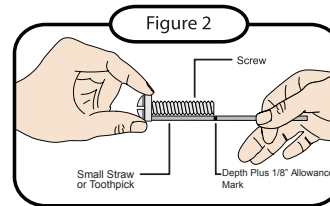
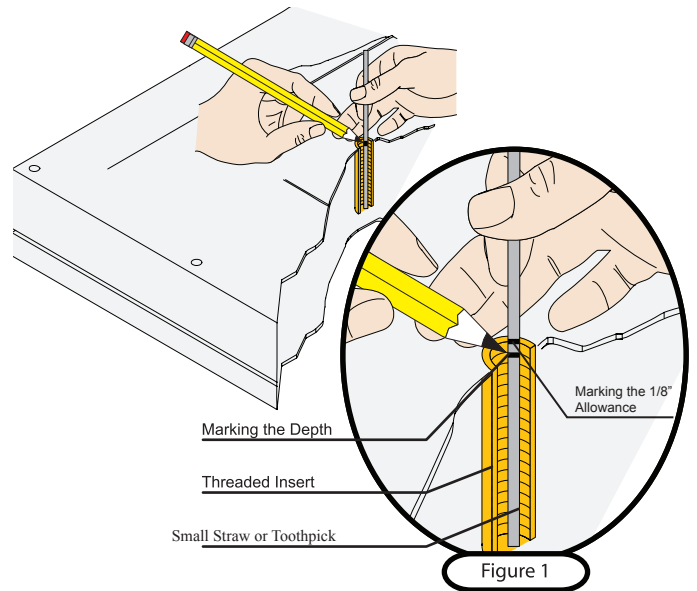
Step 6. Test each size of the screws provided.

The correct screws should thread easily into the mounting point and not pull out when tension is applied.



NOTE

If your selected screw is longer than the 1/8" allowance marking on the thread depth indicator, do not use this screw. The screw length must not bypass the marking. If so, select another screw size (Figure 2 and 3) until you find the screw that comes closest to your mark without going past the marking.





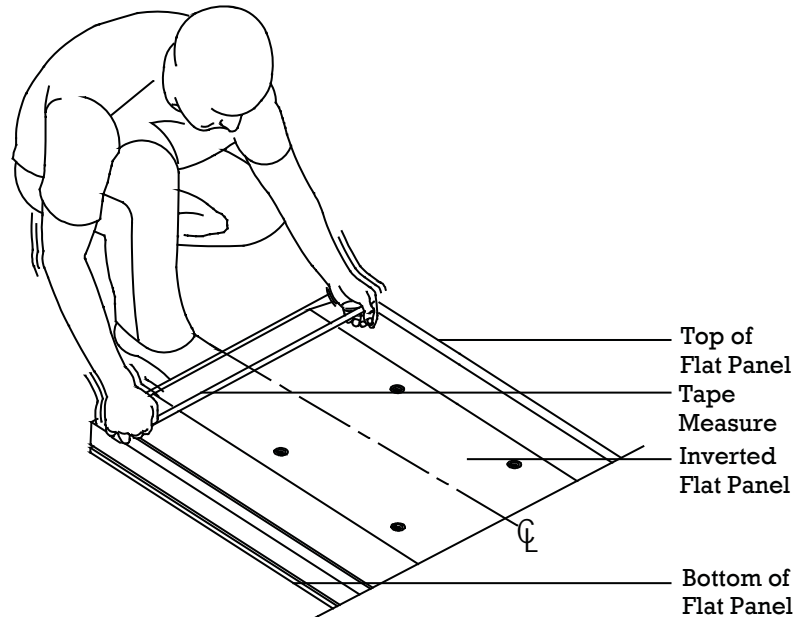
Determining the Center of the Display



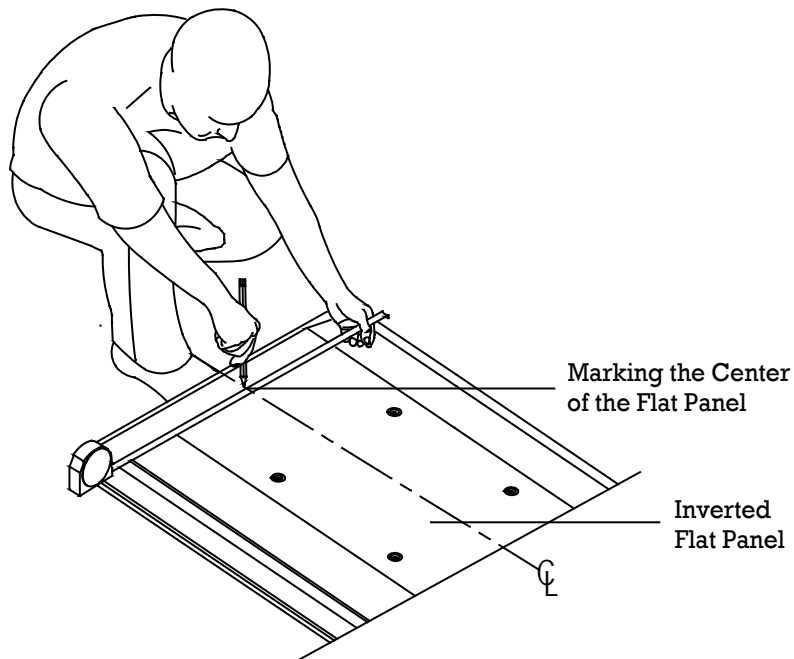
Proper installation procedure by qualified personnel as outlined in the installation instructions must be adhered to. Failure to do so could result in serious personal injury and possible damage to the flat panel.



Turn the flat panel over and place it on a soft, flat surface to prevent damage to the flat panel. Use a blanket, foam, etc. Failure to do so will result in damaging the flat panel. Do not lay the flat panel on the floor without any protection to the glass. The flat panel is heavy and fragile. At least (3) qualified personnel are strongly recommended for installation of this product. Failure to do so could result in serious injury and possible damage to the flat panel.



Step 1. Once the flat panel is inverted, use a measuring tape to find the center of your flat panel measuring from outside to outside of the chassis.



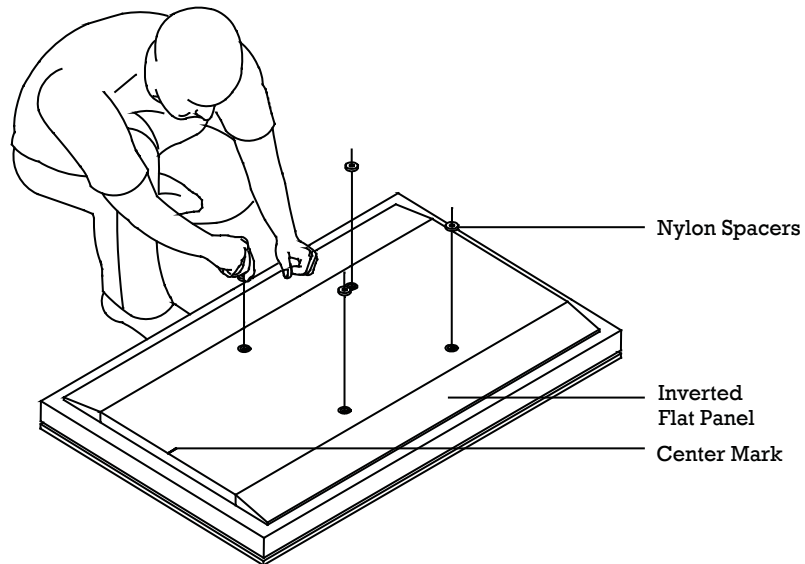
Step 2. Using a pencil lightly mark the center of your flat panel.



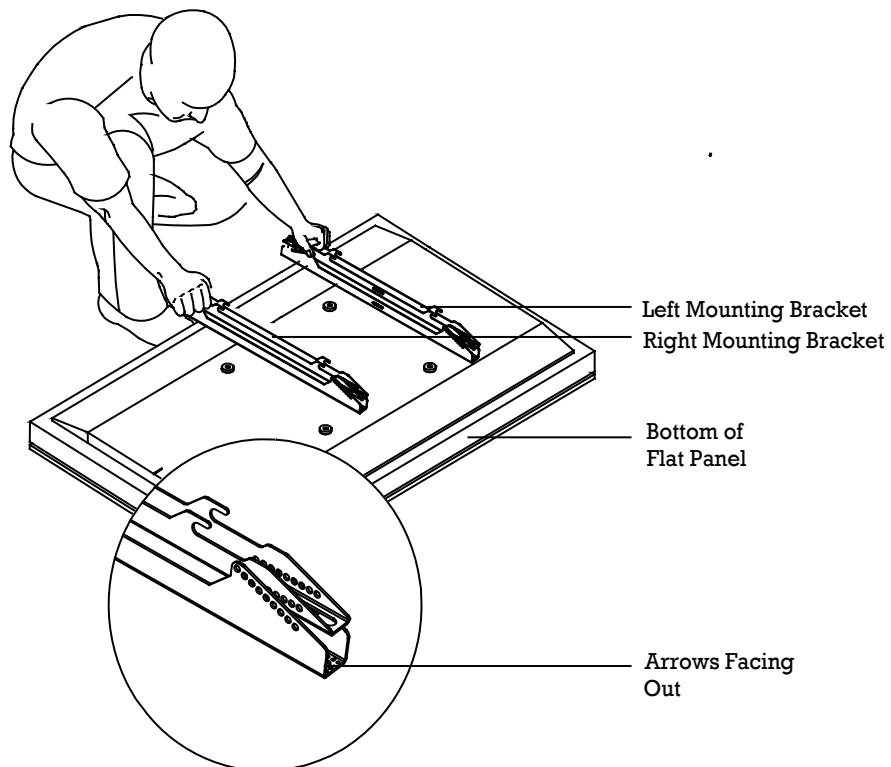
Positioning the Mounting Brackets



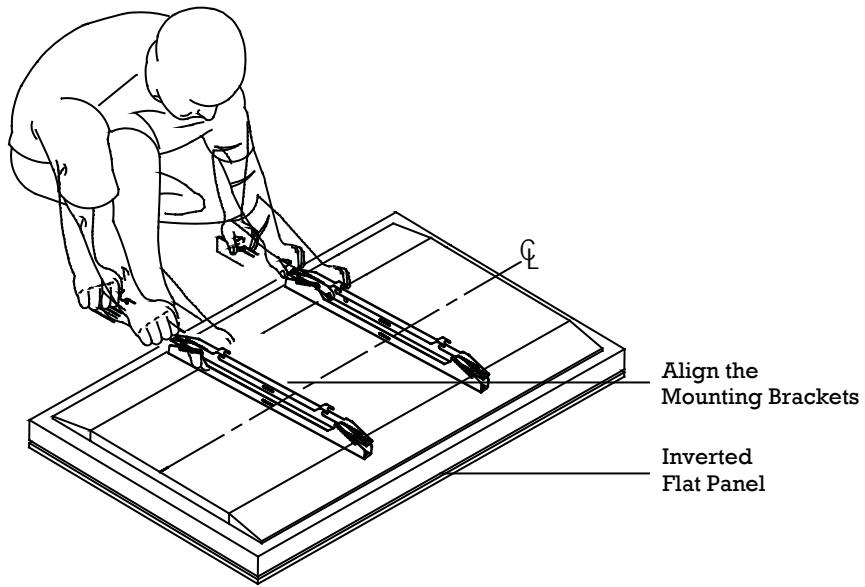
Caution If your display has uneven mounting points, or recessed mounting points, please use the provided spacers (Page 5).



Step 1. Install the nylon spacers to the mounting points on the flat panel.



Step 2. Lay the mounting brackets over the mounting points.

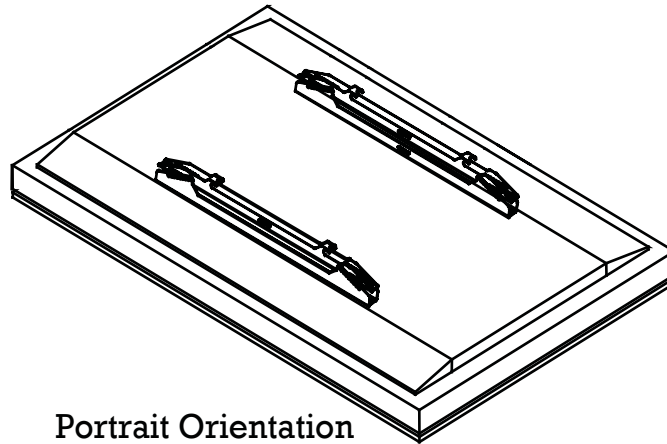


Step 3. Before attaching the mounting brackets, center the mounting brackets on the display.

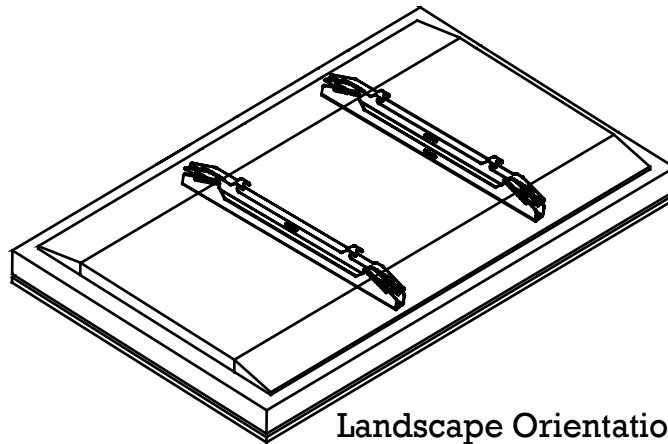


Note

Final mounting bracket positioning will be determined on the desired orientation of the display: horizontal or vertical.



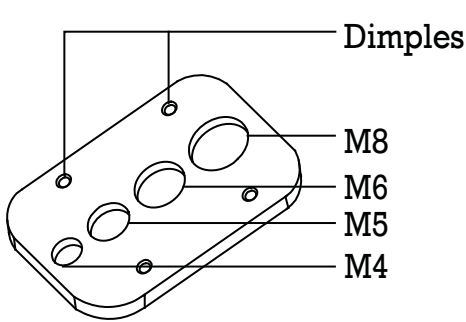
Portrait Orientation



Landscape Orientation

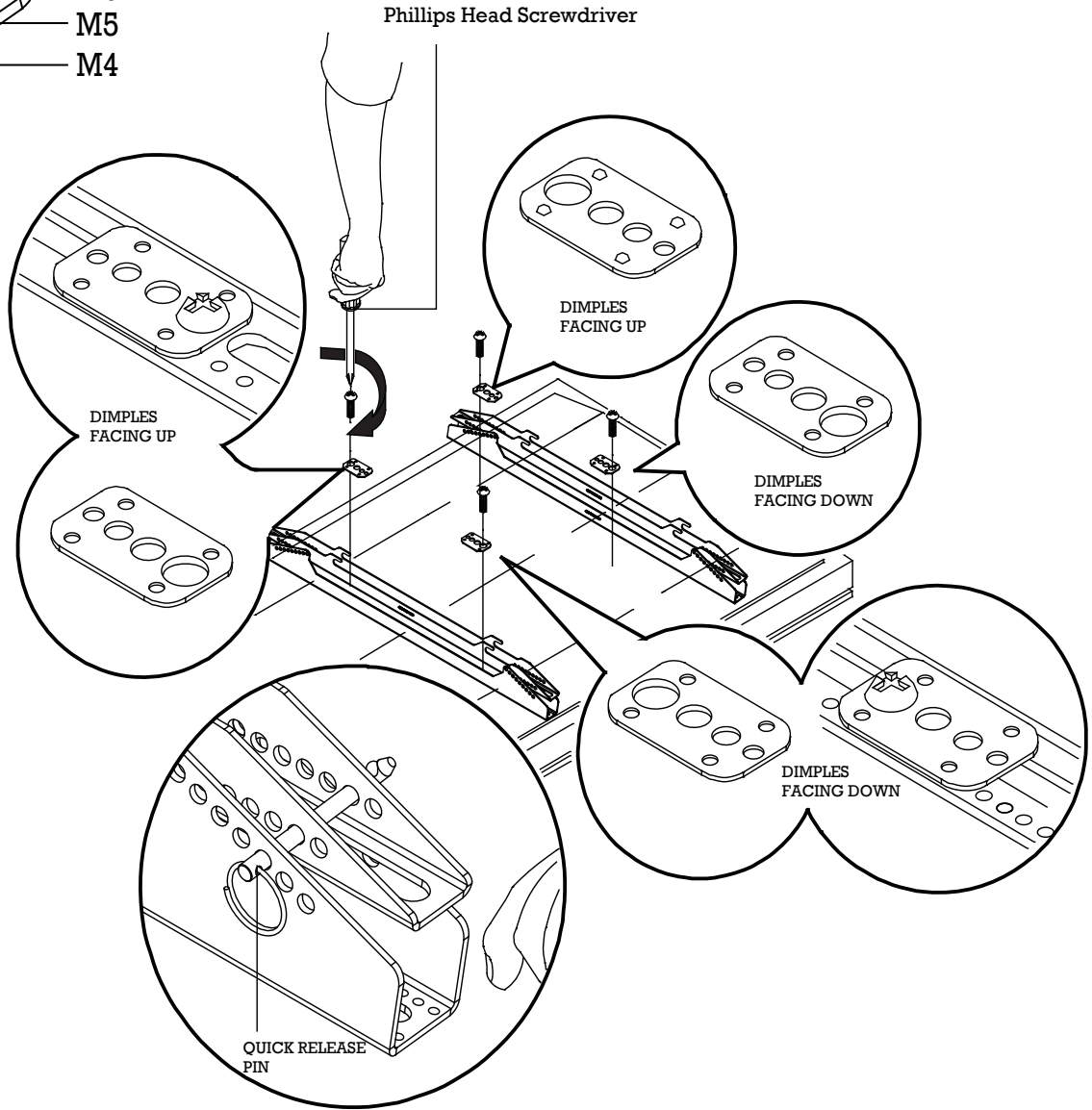


Securing the Mounting Brackets



The Griplate™ have M4, M5 M6 and M8 hole patterns to fit the hardware that your flat panel requires.

EXAMPLE: If your plasma uses M8 x 20 Phillip screws, use the M8 mounting points.



Step 1. Pre-install the four (4) quick release pins to desired height setting (see illustration above).



Note

The quick release pins will be used to adjust the mounting arms. The display must be kept, at a minimum, 1/4” from the plexiglass front. This distance will allow the 6800 Enclosure Series to properly ventilate. There will be no overheating as long as this distance is kept permanent.

Step 2. Once the mounting brackets are aligned secure the Griplate™ to the flat panel.



Note

The dimples of the top plates have to be facing up and the bottom dimples must be facing down.



Caution

Do not over tighten the mounting hardware.



Marking the Wall



Caution

THE GB-ENCL52 IS HEAVY. IT IS STRONGLY RECOMMENDED THAT THREE PEOPLE PERFORM ALL INSTALLATION STEPS.



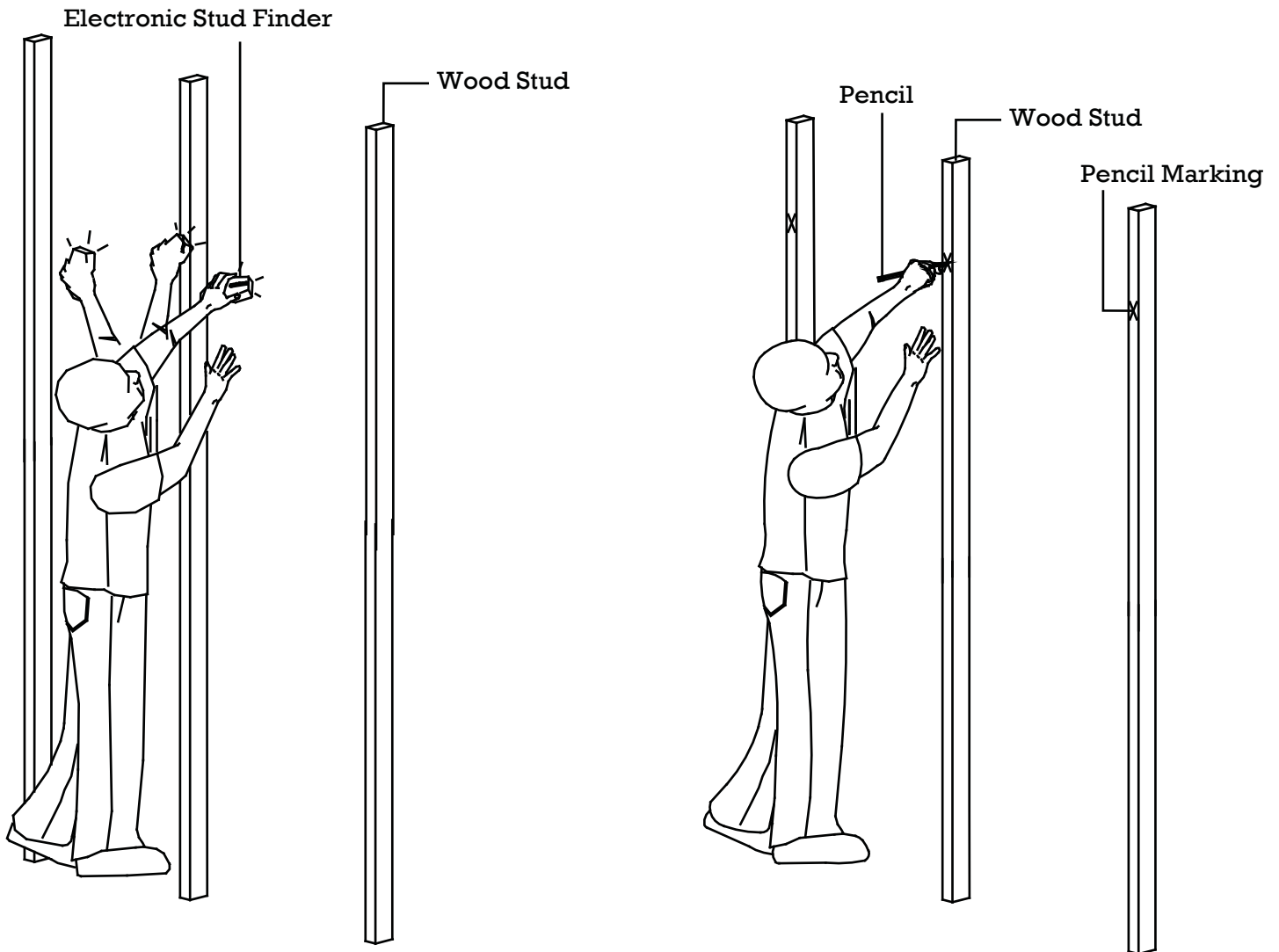
Note

The GB-ENCL52 comes with the option of mounting in horizontal or vertical position. If you decide to mount the enclosure with either of these orientations, please use the following mounting hardware:

Vertical: Use four (4) 5/16" x 3" lag bolts and four (4) 5/16" flat washers.

Horizontal: Use six (6) 5/16" x 3" lag bolts and six (6) 5/16" flat washers.

The stud spacing for each mounting point will be 16" on center.



Step 1. Using a (commercially available) wood stud finder, locate the 16" stud centers behind the wall.

Step 2. Once found, make a pencil marking on the center of the wood studs.

Step 3. Place the wall plate to the reference line and mark the six (6) lag bolt mounting points through the wall plate slots on the wall.



Note

Although not depicted in the illustrations shown above, the width of this wall mount will encompass the following studs:

Vertical - two studs

Horizontal - three studs

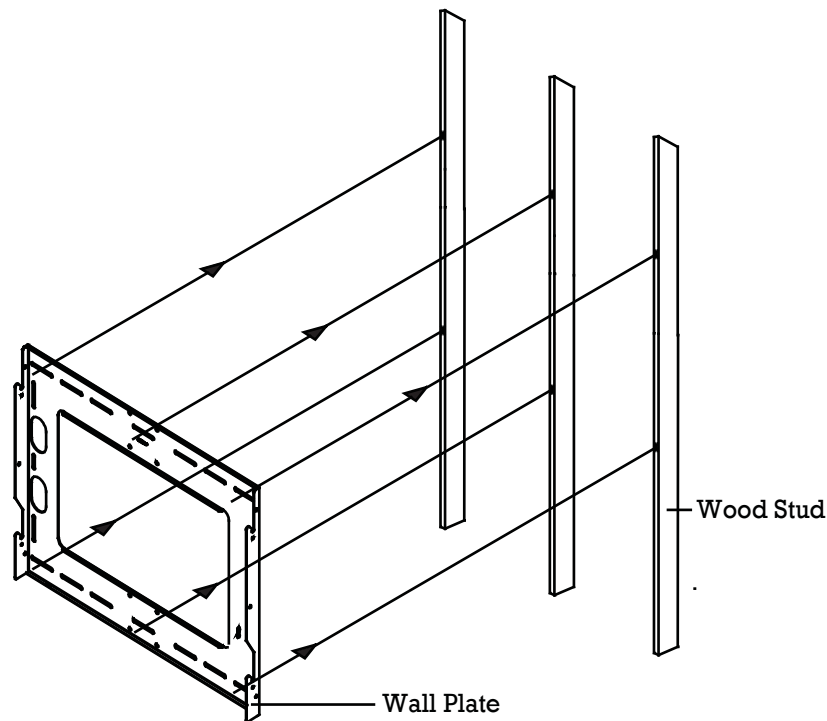


Securing the Wall Plate - Horizontal Orientation



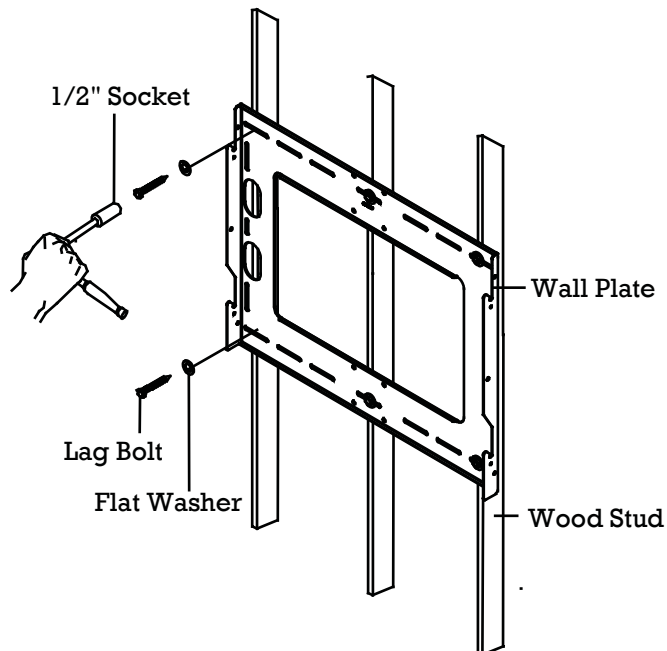
Caution

THE GB-ENCL52 IS HEAVY. IT IS STRONGLY RECOMMENDED THAT THREE PEOPLE PERFORM ALL INSTALLATION STEPS.



Step 1. Level the wall plate with the reference arrow pointing up to the ceiling.

Step 2. Drill six (6) 1/4" pilot holes to the marked wall.



Step 3. Secure the plate using the six (6) 5/16" lag bolts and flat washers.



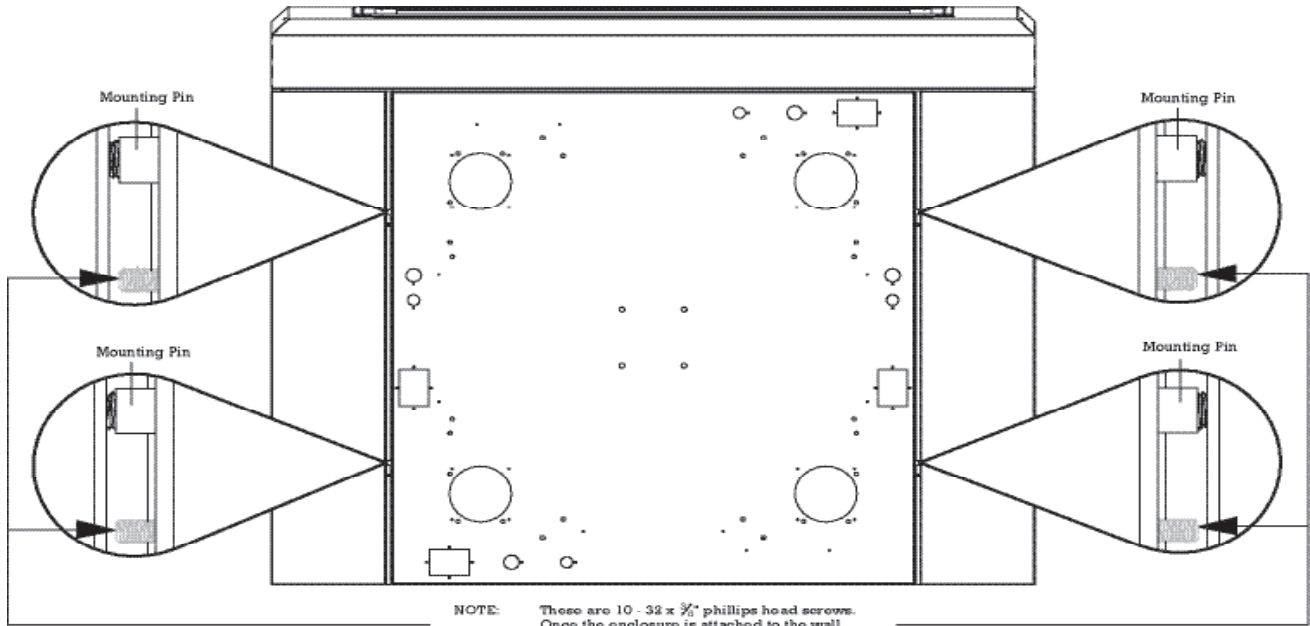
DO NOT OVERTIGHTEN THE LAG BOLTS WHEN ATTACHING THE MOUNT TO THE WALL. IMPROPER INSTALLATION MAY RESULT IN PERSONAL INJURY OR DAMAGE TO PROPERTY



Horizontal Installation



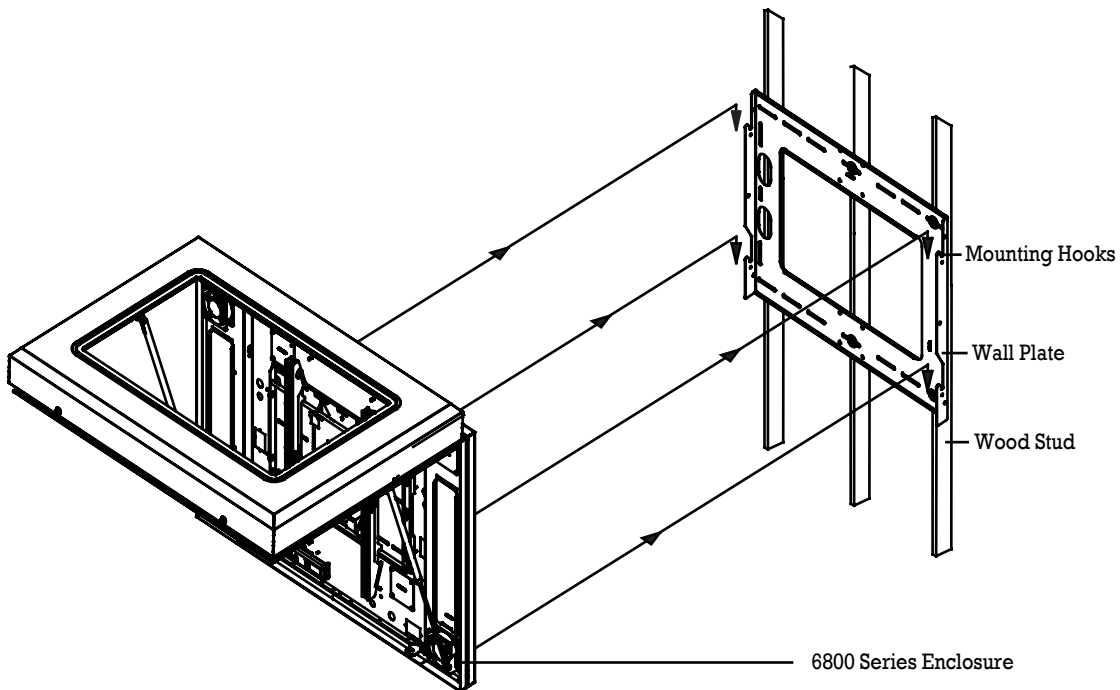
Caution THE GB-ENCL52 IS HEAVY. IT IS STRONGLY RECOMMENDED THAT THREE PEOPLE PERFORM ALL INSTALLATION STEPS.



NOTE: These are 10 - 32 x 3/8" phillips head screws. Once the enclosure is attached to the wall plate, these screws must be inserted to ensure that the enclosure is securely attached to the wall plate.



Note The illustration shown above highlights where the mounting pins are located. These mounting pins will allow the GB-ENCL52 to attach to the wall plate.



6800 Series Enclosure



AT LEAST THREE (3) QUALIFIED PERSONNEL ARE STRONGLY RECOMMENDED FOR INSTALLATION OF THIS PRODUCT. FAILURE TO DO SO COULD RESULT IN SERIOUS INJURY AND POSSIBLE DAMAGE TO THE FLAT PANEL AND ENCLOSURE.

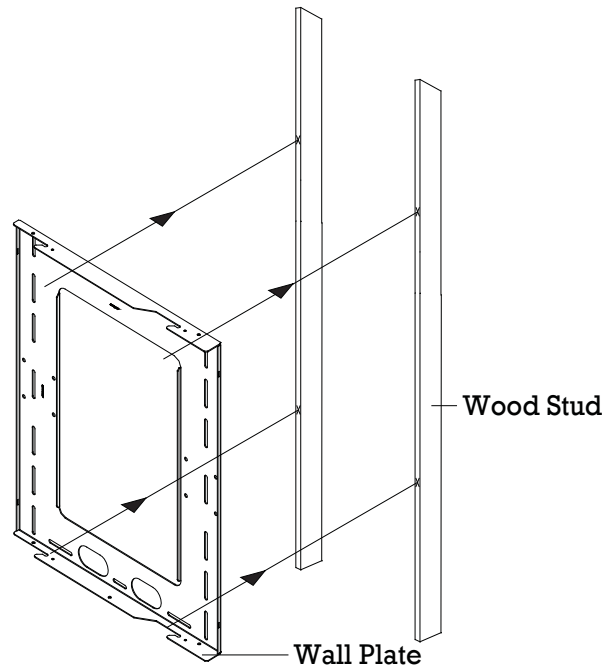
Step 1. Raise the enclosure and insert the top and bottom hooks from each bracket to the mounting pins that are on the back of the enclosure.



Securing the Wall Plate - Vertical Orientation

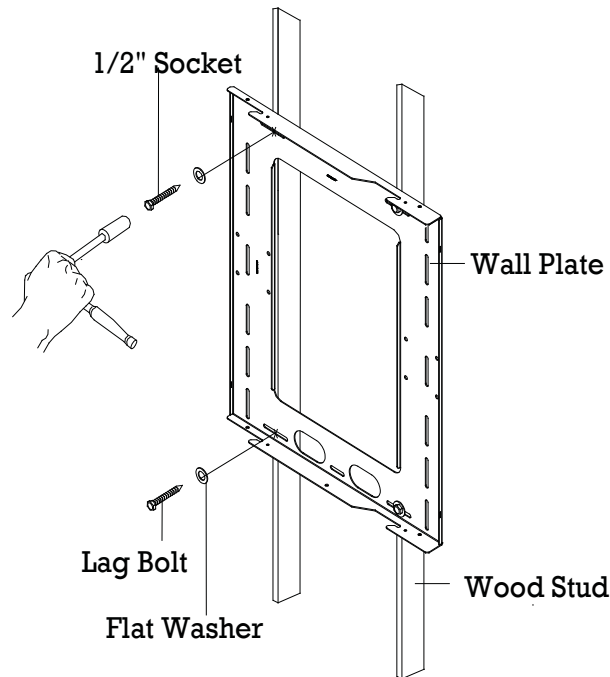


Caution THE GB-ENCL52 IS HEAVY. IT IS STRONGLY RECOMMENDED THAT THREE PEOPLE PERFORM ALL INSTALLATION STEPS.



Step 1. Level the wall plate with the reference arrow pointing up to the ceiling.

Step 2. Drill four (4) 1/4" pilot holes to the marked wall.



Step 3. Secure the plate using the four (4) 5/16" lag bolts and flat washers.



DO NOT OVERTIGHTEN THE LAG BOLTS WHEN ATTACHING THE MOUNT TO THE WALL. IMPROPER INSTALLATION MAY RESULT IN PERSONAL INJURY OR DAMAGE TO PROPERTY



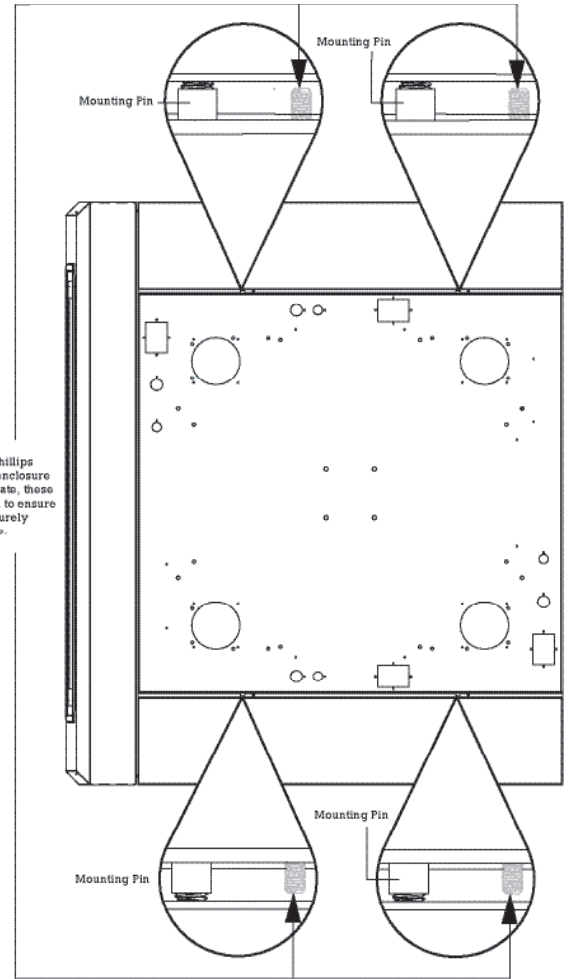
Vertical Installation



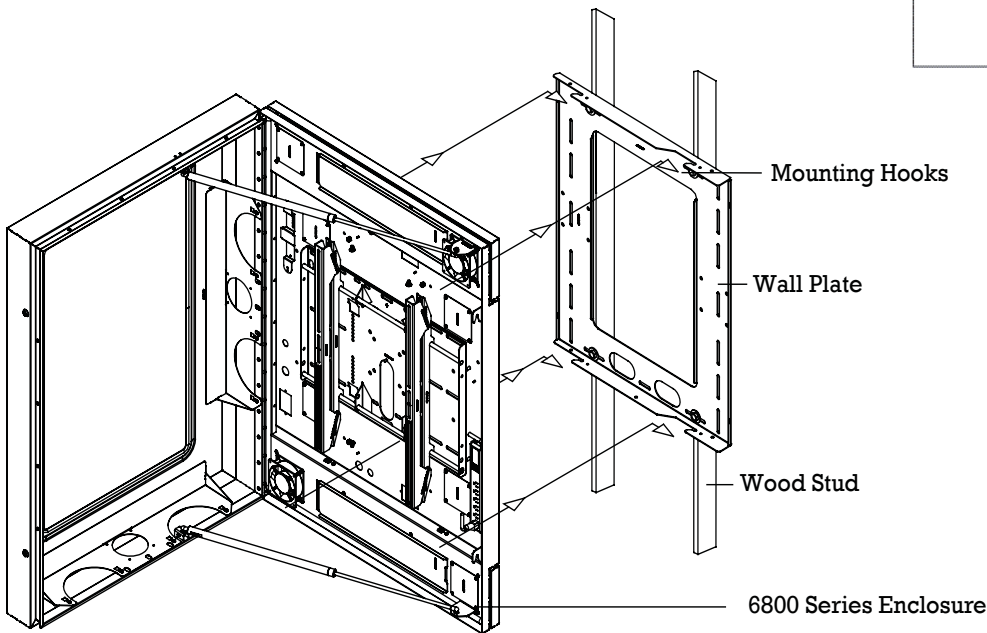
Caution THE GB-ENCL52 IS HEAVY. IT IS STRONGLY RECOMMENDED THAT THREE PEOPLE PERFORM ALL INSTALLATION STEPS.



Note The illustration shown at right highlights where the mounting pins are located. These mounting pins will allow the GB-ENCL52 to attach to the wall plate.



NOTE: These are 10 - 32 x 3/8" phillips head screws. Once the enclosure is attached to the wall plate, these screws must be inserted to ensure that the enclosure is securely attached to the wall plate.



AT LEAST THREE (3) QUALIFIED PERSONNEL ARE STRONGLY RECOMMENDED FOR INSTALLATION OF THIS PRODUCT. FAILURE TO DO SO COULD RESULT IN SERIOUS INJURY AND POSSIBLE DAMAGE TO THE FLAT PANEL AND ENCLOSURE.

Step 1. Raise the enclosure and insert the top and bottom hooks from each bracket to the mounting pins that are on the back of the enclosure.

Step 2. Once it is determined that the mounting hooks are engaged with the mounting pins, slide the GB-ENCL52 to the right until it is resting firmly against the hooks.

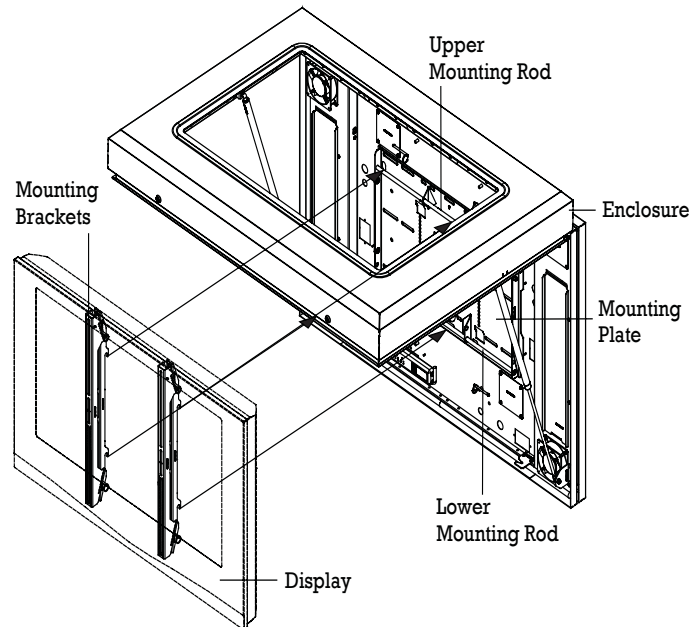


Securing the Display to the Enclosure - Horizontal Orientation

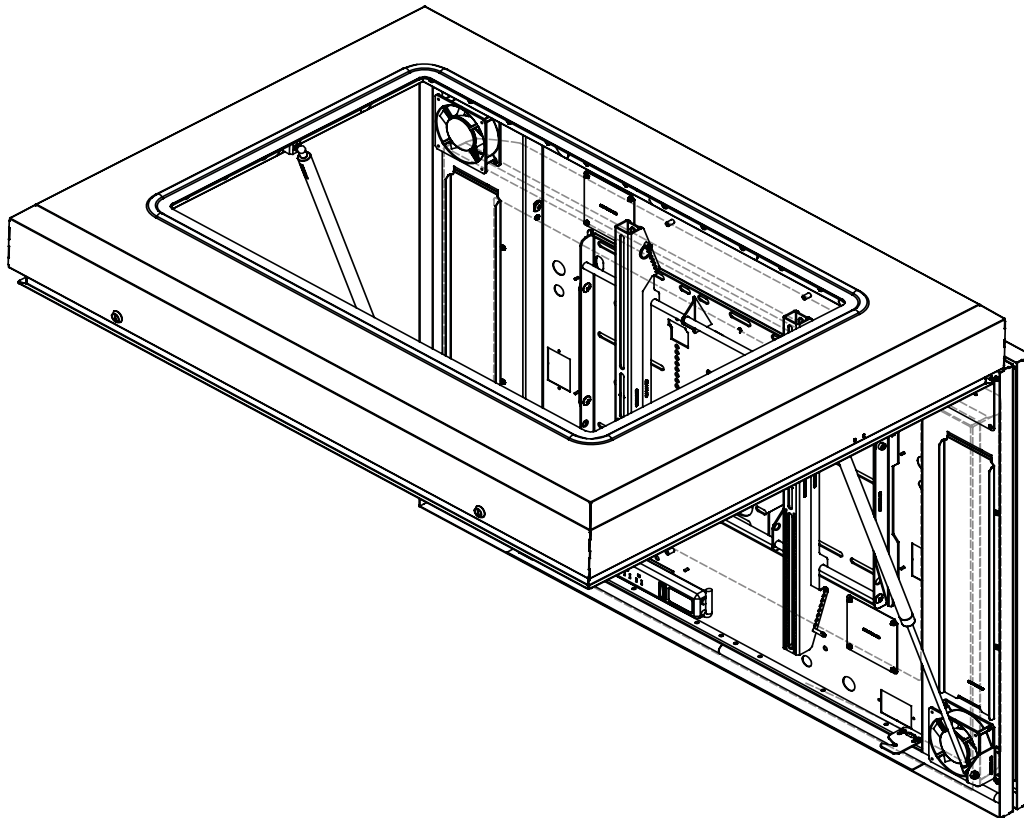


Caution

THE GB-ENCL52 IS HEAVY. IT IS STRONGLY RECOMMENDED THAT THREE PEOPLE PERFORM ALL INSTALLATION STEPS.



Step 1. Raise the display with the mounting brackets secured to display and insert the top and bottom mounting hooks from each mounting bracket to the mounting rods that are located on the mounting plate.



Installation Complete

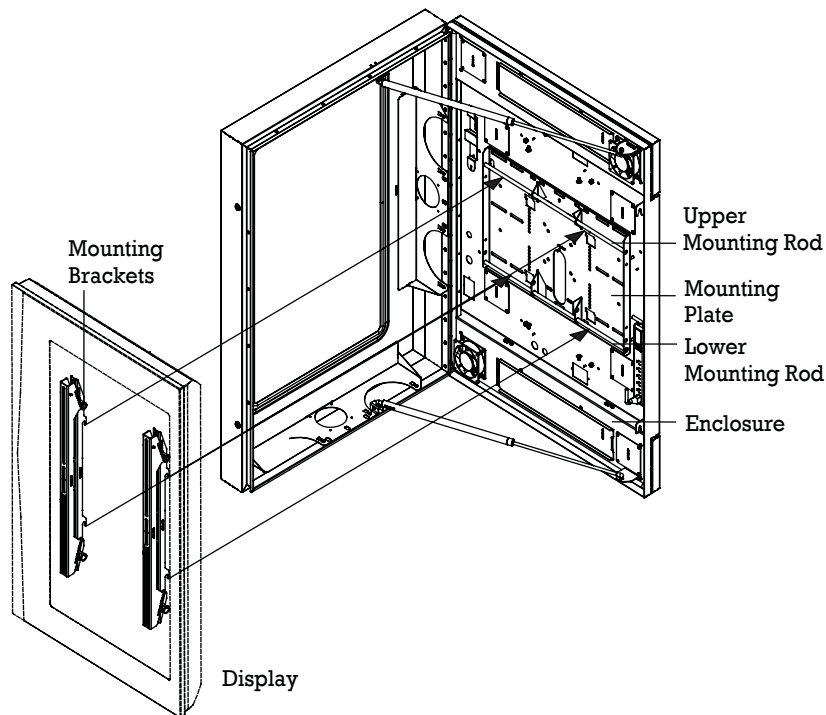


Securing the Display to the Enclosure - Vertical Orientation

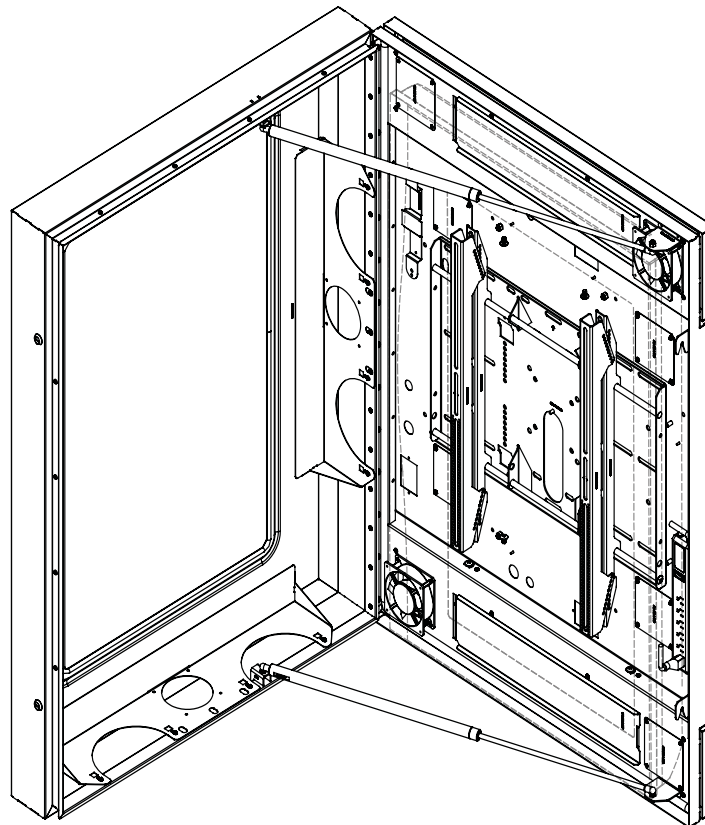


Caution

THE GB-ENCL52 IS HEAVY. IT IS STRONGLY RECOMMENDED THAT THREE PEOPLE PERFORM ALL INSTALLATION STEPS.



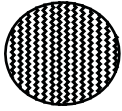
Step 1. Raise the display with the mounting brackets secured to display and insert the top and bottom mounting hooks from each mounting bracket to the mounting rods that are located on the mounting plate.



Installation Complete

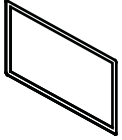


Maintenance



Filter

To clean the filters, remove the cover plates. The filter will be located on the inside of the cover plate. Remove the filter by gently pulling it away from the filter housing. To clean the filter, wash it in a soapy solution. Rinse the filter and let dry completely before re-installing.

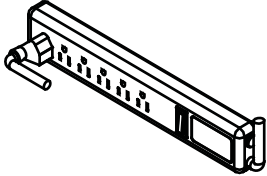


Screen

Wash the protective screen with a mild liquid dishwashing soap and warm water. Use a sponge or a very soft dry towel.

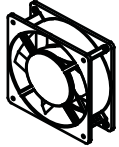


DO NOT USE ANY CLEANING SOLUTION THAT CONTAINS AMMONIA.



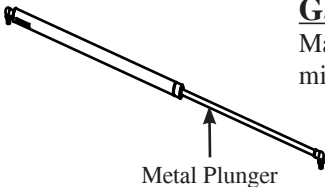
Power Strip

While the power strip has no physical moving parts, there are electrical contacts inside the housing. An accumulation of dust may prevent a solid contact. It is recommended that the user blow out the fan assemblies twice a month using compressed air.



Fans

A build up of dust in the fan motor and roller bearings may cause the fan to fail prematurely. To prevent this from happening, it is recommended that the user blow out the fan assemblies twice a month using compressed air.



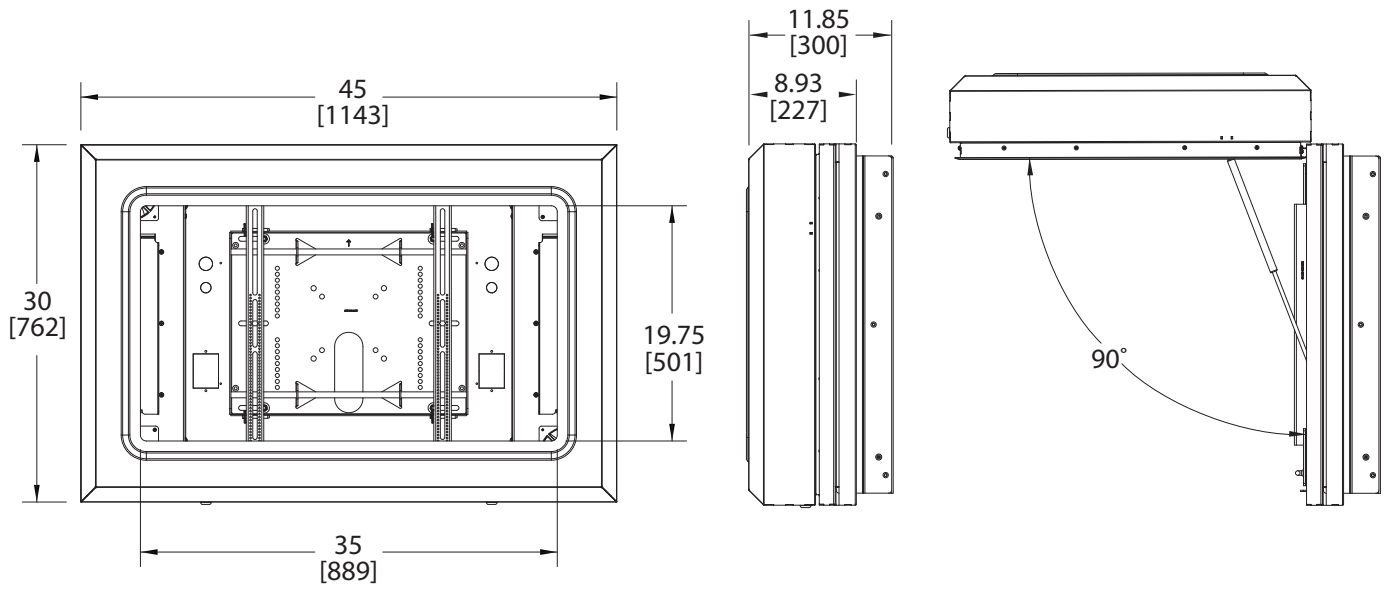
Gas Shocks

Make sure that the metal plunger on the shocks is clear of dust and debris at all times. If dust gets into the mixing reservoir on the gas shock, the gas shock will fail quicker over a shorter period of time.



Technical Specification

All measurements are in inches(mm).





Warranty

PREMIER MOUNTS LIMITED LIFETIME WARRANTY

What and Who is Covered by this Limited Warranty and for How Long

Premier Mounts warrants this product to be free from defects in material and workmanship for the lifetime of the original owner of this product. The limited warranty is valid only for the original purchaser of the product.

What Premier Mounts Will Do

At the sole option of Premier Mounts, Premier Mounts will repair or replace any product or product part that is defective. If Premier Mounts chooses to replace a defective product or part, a replacement product or part will be shipped to you at no charge, but you must pay any labor costs.

What is Not Covered; Limitations

PREMIER MOUNTS DISCLAIMS ANY LIABILITY FOR DAMAGE TO MOUNTS, ADAPTERS, DISPLAYS, PROJECTORS, OTHER PROPERTY, OR PERSONAL INJURY RESULTING, IN WHOLE OR IN PART, FROM IMPROPER INSTALLATION, MODIFICATION, USE OR MISUSE OF ITS PRODUCTS.

PREMIER MOUNTS DISCLAIMS ALL OTHER WARRANTIES, EXPRESS OR IMPLIED, INCLUDING WARRANTIES OF MERCHANTABILITY AND FITNESS FOR A PARTICULAR PURPOSE. PREMIER MOUNTS IS NOT RESPONSIBLE FOR INCIDENTAL OR CONSEQUENTIAL DAMAGES, INCLUDING BUT NOT LIMITED TO, INABILITY TO USE ITS PRODUCTS OR LABOR COSTS FOR REMOVING AND REPLACING DEFECTIVE PRODUCTS OR PARTS. SOME STATES DO NOT ALLOW THE EXCLUSION OR LIMITATION OF INCIDENTAL OR CONSEQUENTIAL DAMAGES, SO THE ABOVE LIMITATION OR EXCLUSION MAY NOT APPLY TO YOU.

What Customers Must Do for Limited Warranty Service

If you discover a problem that you think may be covered by the warranty you **MUST REPORT** it in writing to the address below within thirty (30) days. Proof of purchase (an original sales receipt) from the original consumer purchaser must accompany all warranty claims. Warranty claims must also include a description of the problem, the purchaser's name, address, and telephone number. General inquiries can be addressed to Premier Mounts Customer Service at 1-800-776-5768. Warranty claims will not be accepted over the phone or by fax.

Premier Mounts
Attn: Warranty Claim
3130 East Miraloma Ave.
Anaheim, CA 92806

How State Law Applies

THIS WARRANTY GIVES YOU SPECIFIC LEGAL RIGHTS, AND YOU MAY ALSO HAVE OTHER RIGHTS WHICH VARY FROM STATE TO STATE.