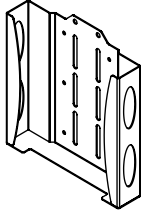


INSTALLATION INSTRUCTIONS

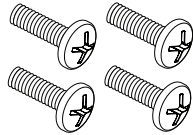
Mac mini™ Mounting Bracket

Model: ECM-MAC2

Parts List



ECM-MAC2 (Qty 1)




M6 x 12 Phillips
Head Screw (Qty 4)

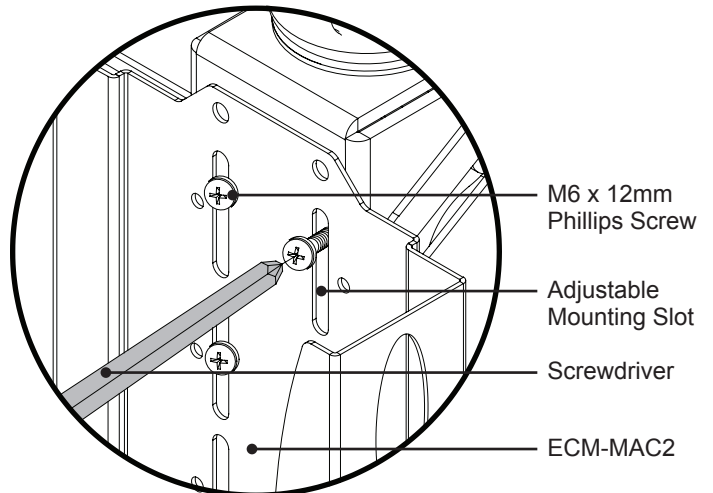
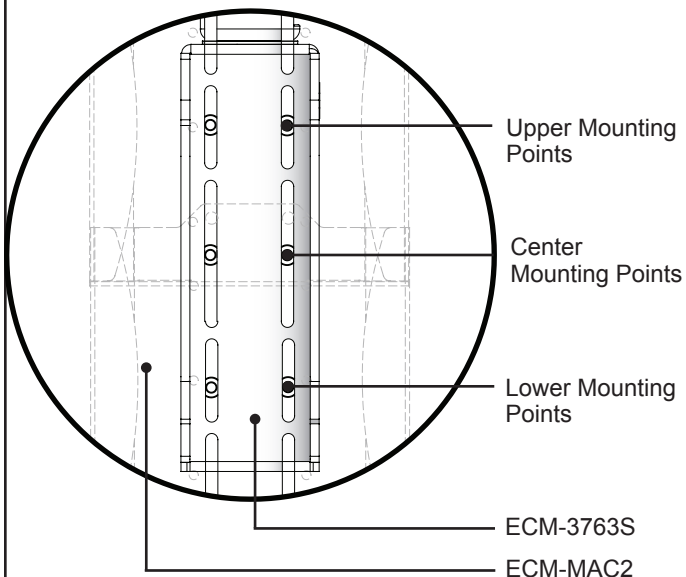
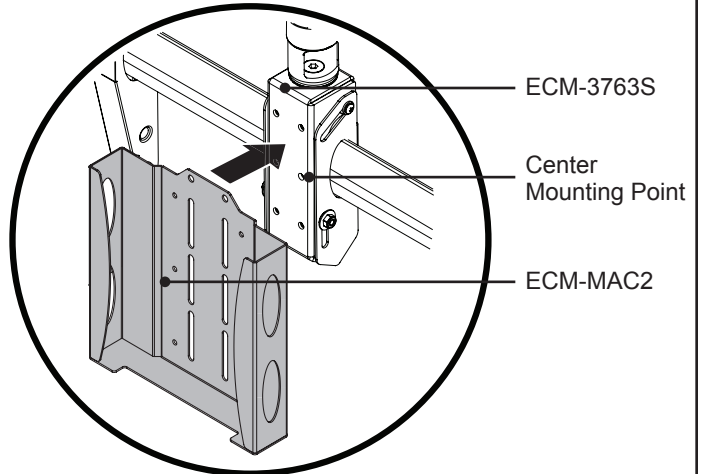
- If you are using an **ECM-3763S** mount, continue below.
- If you are using an **ECM-3763D**, **ECM-3763T** or **ECM-3763Q** mount, go to page 2.

ECM-3763S Installation

- 1) Remove the mounting bracket from the packaging.
- 2) Align the adjustable mounting slots of the ECM-MAC2 with the fixed mounting holes on the ECM-3763S.
- 3) Insert four (4) M6 x 12mm Phillips screws and tighten using a screwdriver.

 The ECM-3763S has six (6) mounting points. Either the upper two or the bottom two rows must be used depending on where the ECM-MAC2 is to be mounted.

Go to **Placing the Mac mini™** on page 2.





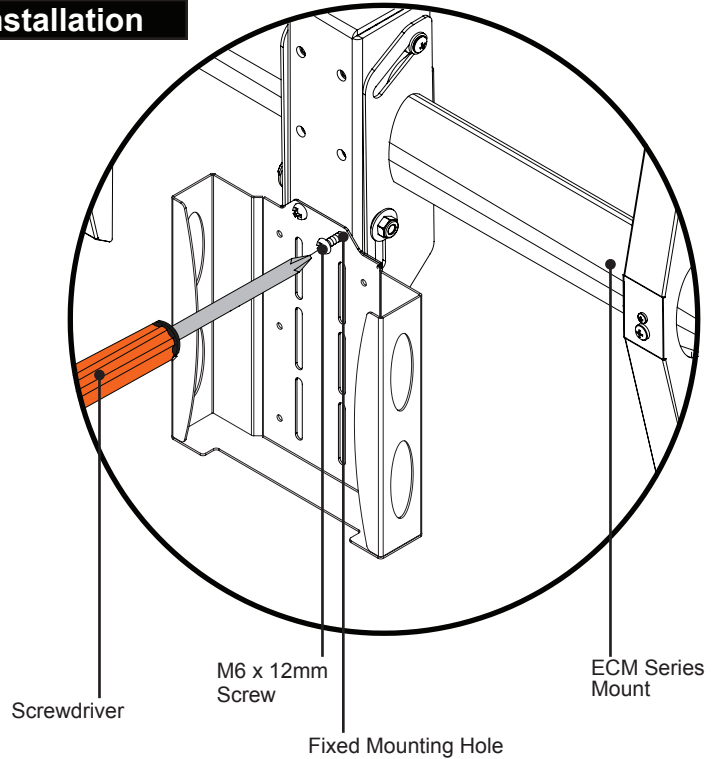
ECM-3763D, ECM-3763T and ECM-3763Q Installation

Two (2) fixed mounting holes will be used on the ECM-MAC2 mounting bracket.

The ECM-3763D, ECM-3763T and ECM-3763Q will use the two (2) lowest mounting points on the ECM.

- 1) Locate the two (2) bottom mounting points on the back of the ECM Series mount.
- 2) Align the two fixed mounting holes on the ECM-MAC2 with the mounting points on the back of the ECM Series mount.
- 3) Insert and tighten two (2) M6 x 12mm screws.

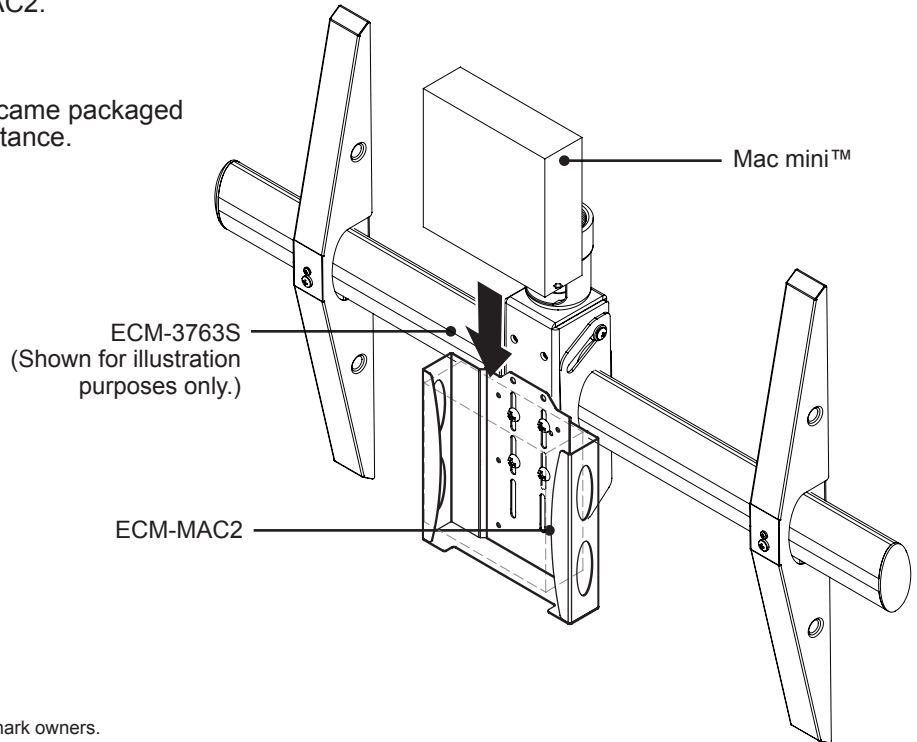
Go to **Placing the Mac mini™** below.



Placing the Mac mini™

- 1) Place the Mac mini™ in the ECM-MAC2.
- 2) Route all cables at this time.

Please refer to the instructions that came packaged with the Mac mini™ for further assistance.



• All trademarks are the property of the respective trademark owners.

NORTH AMERICA

3130 East Miraloma Avenue
 Anaheim, CA 92806 USA
USA and Canada
 Phone: 1.800.368.9700
 Fax: 1.800.832.4888
Other Locations
 Phone: (001).714.632.7100
 Fax: (001).714.632.1044

EUROPE

Swallow House,
 Shilton Industrial Estate,
 Shilton, Coventry, England CV79JY
 Phone: +44 (0) 2476 614700
 Fax: +44 (0) 2476 614710