

INSTALLATION MANUAL



APL-2647 ADJUSTABLE SUSPENSION ADAPTER

Premier Mounts
3130 E. Miraloma Avenue
Anaheim, CA 92806
Phone: (800) 368-9700 Fax: (800) 832-4888
mounts@mounts.com www.mounts.com



Table of Contents

Warning Statements	- 3 -
Parts List	- 4 -
Installation Tools	- 4 -
Ceiling and Wall Installation	- 5 -
Upper Plate Installation.....	- 7 -
Bracket Installation.....	- 8 -
Troubleshooting Procedures	- 10 -
Technical Specifications	- 10 -
Warranty	- 11 -
Contact Premier Mounts	- 11 -
Notes	- 11 -



Warning Statements

WARNING: DO NOT REMOVE THE SCREWS COMPLETELY FROM THE EXTENSION WHEN MAKING A HEIGHT ADJUSTMENT WHILE THE CEILING PLATE IS SECURED TO THE CEILING OR THE WALL. LOOSEN, ADJUST, AND THEN RE-TIGHTEN THE SCREWS. FAILURE TO DO SO COULD RESULT IN PERSONAL INJURY AND/OR DAMAGE TO THE PROJECTOR.

WARNING: SAFETY MEASURES MUST BE PRACTICED AT ALL TIMES DURING THE INSTALLATION OF THIS PRODUCT. USE PROPER SAFETY GEAR AND TOOLS FOR THE INSTALLATION PROCEDURE TO PREVENT PERSONAL INJURY.

WARNING: PRIOR TO THE INSTALLATION OF THIS PRODUCT, THE INSTALLATION INSTRUCTIONS SHOULD BE READ AND COMPLETELY UNDERSTOOD. THE INSTALLATION INSTRUCTIONS MUST BE READ TO PREVENT PERSONAL INJURY AND PROPERTY DAMAGE. KEEP THESE INSTALLATION INSTRUCTIONS IN AN EASILY ACCESSIBLE LOCATION FOR FUTURE REFERENCE.



Indicates that the power plug is to be disconnected from the power outlet.



Contact Premier Mounts with any questions.



Safety precautions must be taken at all times.



Warning and Caution statements.



A secure structure must support the weight, or load, of the projector. When mounting to a ceiling that contains wooden studs, dead center of the wooden stud must be confirmed prior to installation.



Do not install on a structure that is prone to vibration, movement or chance of impact. Failure to do so could result in damage to the projector and/or damage to the mounting surface.



Do not install near heater, fireplace, direct sunlight, air conditioning or any other source of direct heat energy. Failure to do so may result in damage to the projector and could increase the risk of fire.



At least two qualified people should perform the installation procedure. Injury and/or damage can result from dropping or mishandling the projector.



Recommended mounting surfaces: wooden studs and solid-flat concrete. If the mount is to be installed on any surface other than wooden studs, use suitable hardware (which is commercially available).



Parts List

NOTE: This mount is shipped with all proper installation hardware and components. Make sure that none of these parts are missing and/or damaged before beginning installation. If there are parts missing and/or damaged, please stop the installation and contact Premier Mounts (800-368-9700).



Installation Tools

Phillips Head Screw Driver
Soft Material/ Blanket
¼" Drill Bit
Tape Measure
Stud Finder (Commercially Available)

Portable Drill
Pencil
Level
Wrench with ½" Drive Socket
Ladder



Ceiling and Wall Installation

WARNING: THE WALL OR CEILING STRUCTURE MUST BE CAPABLE OF SUPPORTING AT LEAST FIVE TIMES THE WEIGHT OF THE PROJECTOR. IF NOT, THE WALL OR CEILING WILL HAVE TO BE REINFORCED. PROPER INSTALLATION PROCEDURES BY A QUALIFIED TECHNICIAN, AS OUTLINED IN THE INSTALLATION INSTRUCTIONS, MUST BE ADHERED TO. FAILURE TO DO SO COULD RESULT IN PERSONAL INJURY AND/OR DAMAGE TO THE PROJECTOR.

1. Remove the middle extension from the Gyrolock by removing two of the M8 x 16 hex head screws, washers and star washers from the top and bottom of the extension (Figure 1).

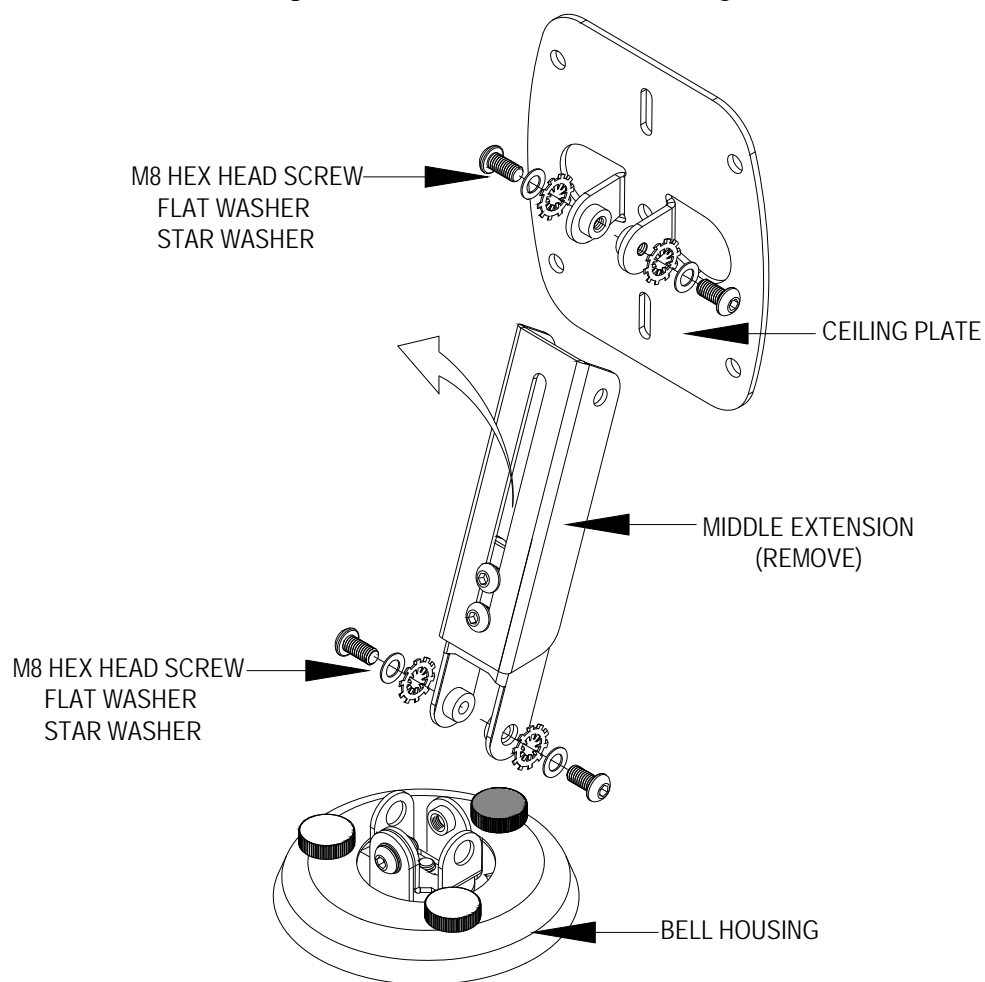


Figure 1. Extension Removal



2. Replace the original extension with the APL-2647. Mount the APL-2647 the same way that the middle extension was removed (Figure 2).

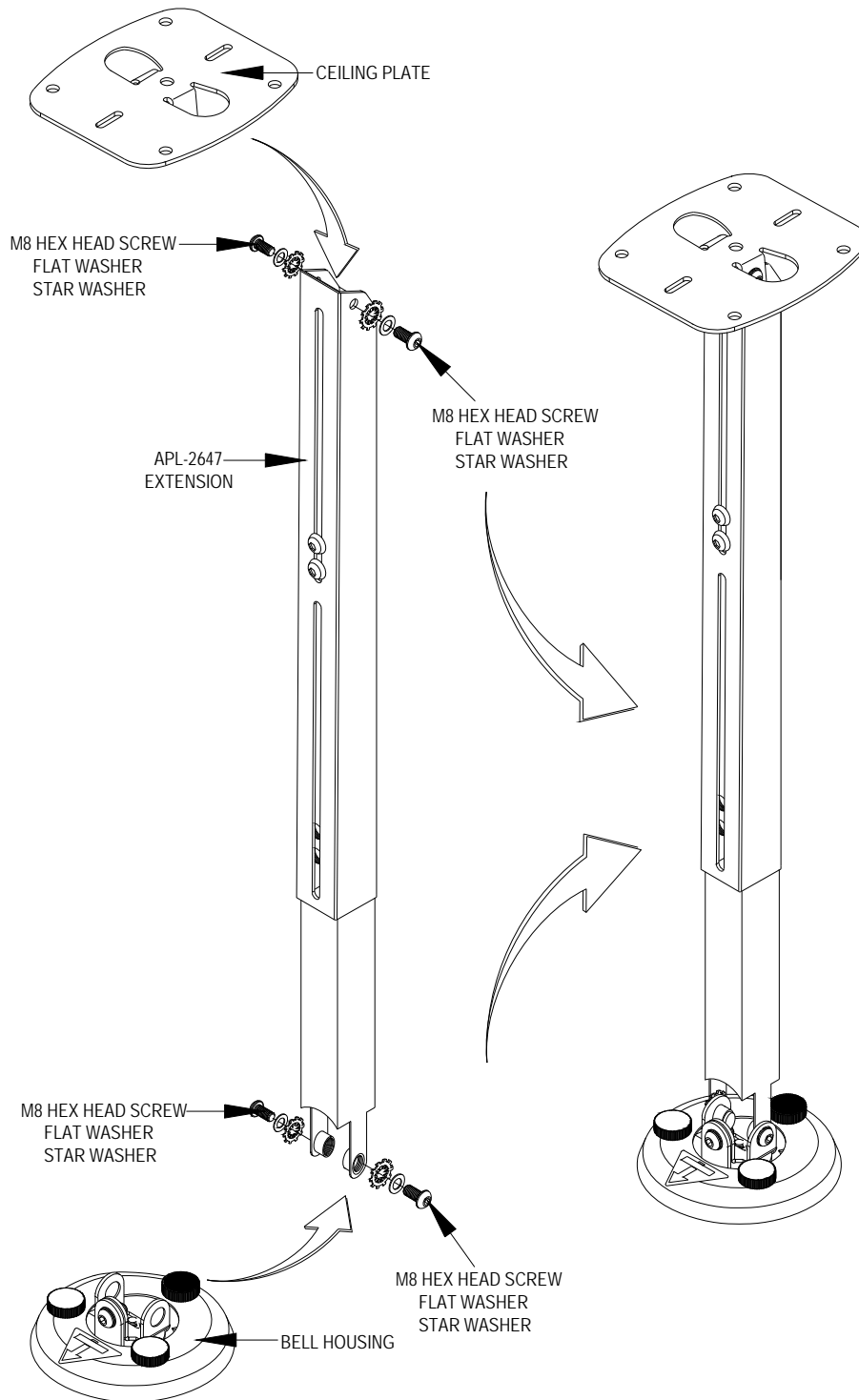


Figure 2. Extension Replacement



Upper Plate Installation

Single Stud

1. Locate the center of the single wooden stud that will be used for the installation.
2. Secure the upper plate to the single stud by using the three #14 wood screws that are supplied with the PBL Series mount (mount these screws using the three holes that are directly in the middle of the upper plate).

NOTE: Please use suitable hardware for the surface that will be used, if not using the basic wooden stud installation.

3. Secure the plate using the center holes on the upper plate. The plate may travel ½” front to back due to the larger/longer outside mounting holes (Figure 3).

Solid Structure

1. Choose the proper location for your mount. Secure the upper plate to the solid structure by using the four mounting points (all four corners) found on the ceiling plate.
2. Depending on the installation requirements, suitable hardware must be used (Figure 5 and Figure 4).

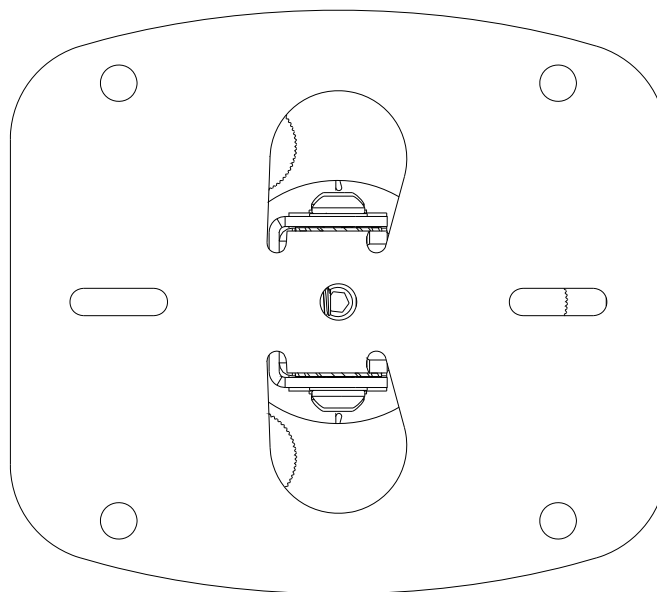


Figure 3. Stud Installation

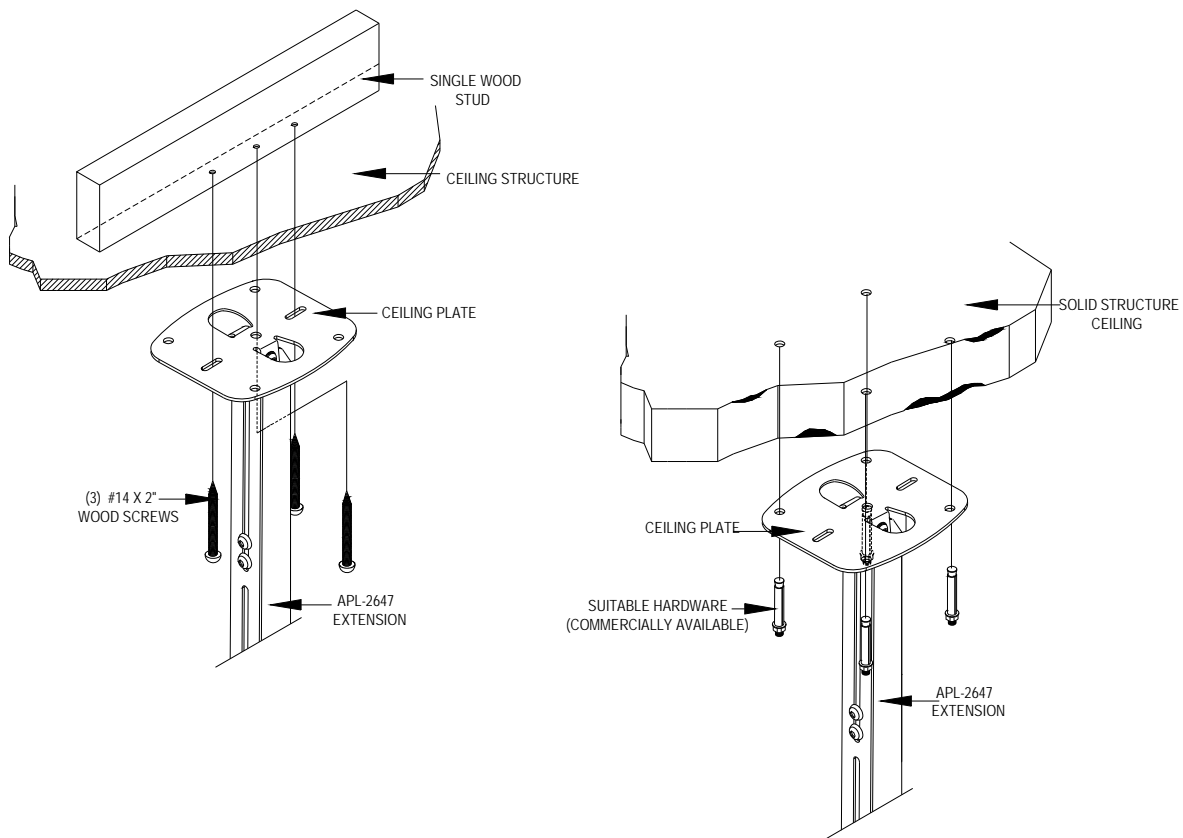


Figure 4. Stud Installation

Bracket Installation

1. Raise the projector with the mounting bracket attached.
2. Fully insert the arrow design opening from the mounting bracket to the receiving tabs found on the bottom plate of the Gyrolock[®].
3. Once the bracket is inserted, rotate the projector 180° and align the front arrow shaped slot from the mounting bracket to the safety screw (Figure 5).
4. The safety screw must go past the arrow-shaped slot below to prevent further rotation.
5. Finger tighten the rest of the tension screws to stabilize the mounting bracket.



6. For greater height adjustability, or changing the extension support, remove the bell housing. Loosen the screws to make you height adjustment, or chose the lower slot
7. Secure the height adjustments with two M8 head screws.

CAUTION: For fine height adjustments, hold the projector before loosening the and making the needed adjustments.

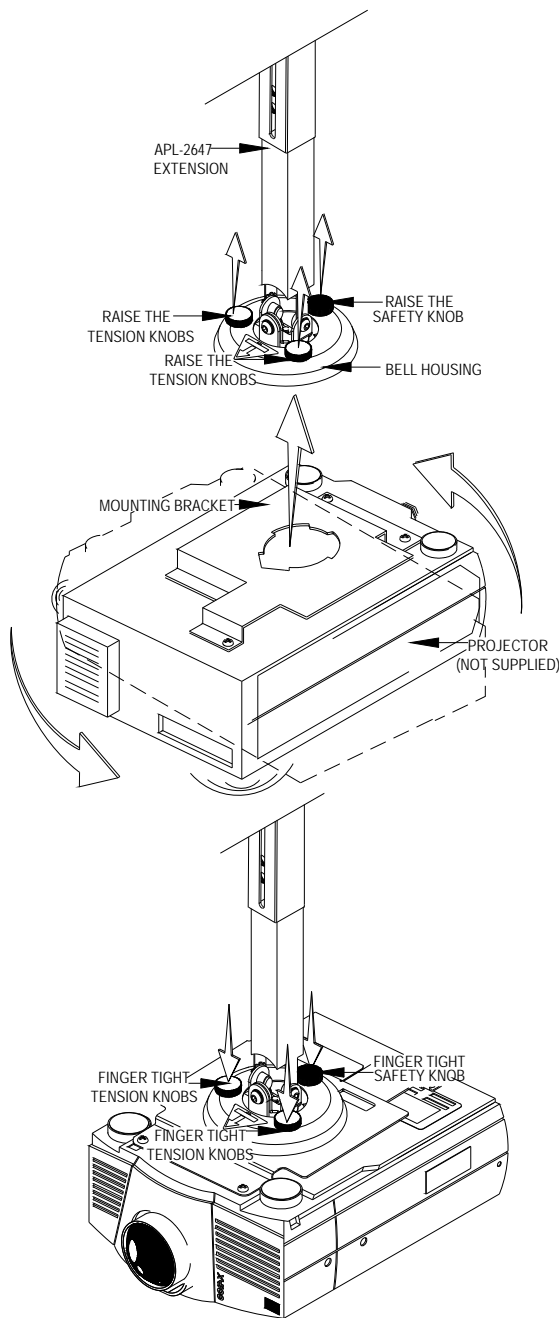


Figure 5. Bracket Installation

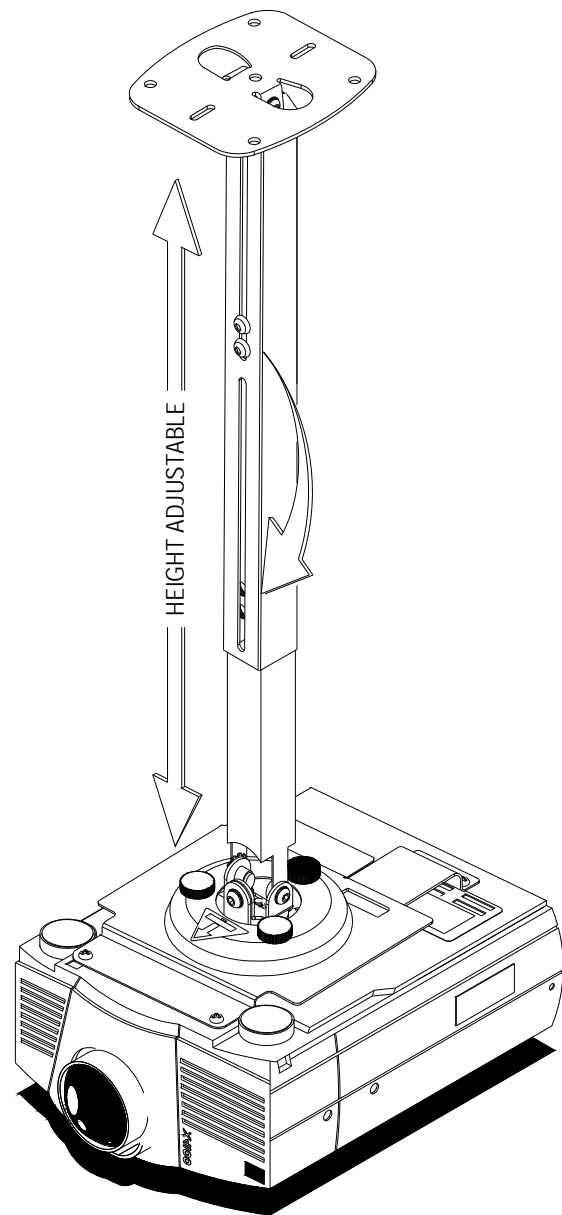


Figure 6. Height Adjustment



Troubleshooting Procedures

QUESTION: My projector mount must be set at an angle to be viewed properly on the wall, but the projector will not hold at this position. Why is this?

ANSWER: **The angle adjustments are not tight; they must be tightened.**

QUESTION: Why won't my bracket fit my projector?

ANSWER: **There may be several mounting positions for your particular bracket. Try to line up the holes on the bracket with the mounting points on the projector. If this still does not solve the problem, then contact Customer Service and advise them of the situation.**

Technical Specifications

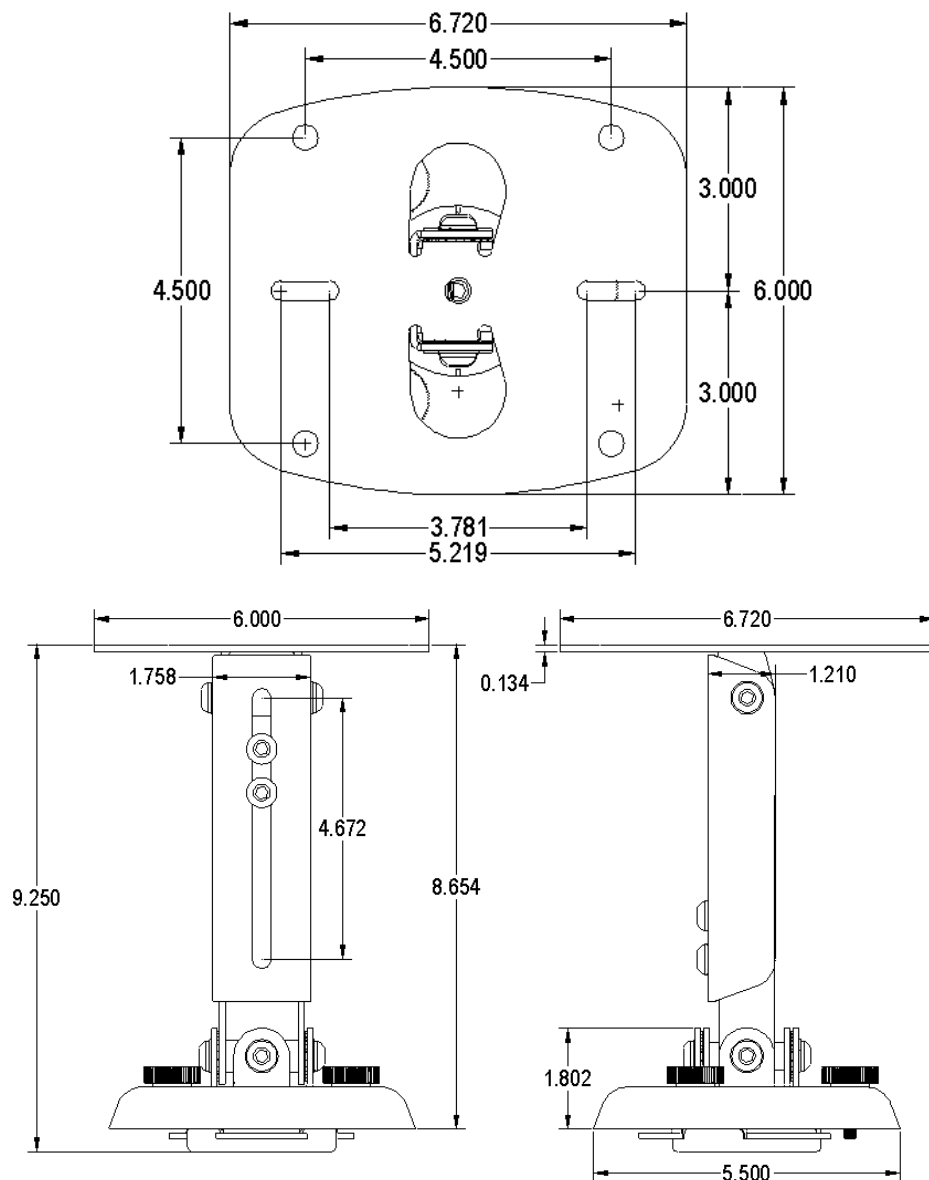


Figure 8 Technical Dimensions



Warranty

Limited Lifetime Warranty

All Premier Mounts products carry a limited lifetime warranty from ship date against defects in materials and workmanship. Premier Mounts is not liable for improper installation that results in damage to mounts, adapters, display equipment or personal injury.

Contact Premier Mounts

In the event of missing and/or damage equipment, or technical questions, the following information can help in the completion of the installation.

Customer Service – (800) 368-9700

Technical Support – techsupport@mounts.com

Notes

NORTH AMERICA

3130 East Miraloma Avenue
Anaheim, CA 92806 USA
USA and Canada –
Phone: 800-368-9700
Fax: 800-832-4888

EUROPE

Swallow House,
Shilton Industrial Estate,
Shilton, Coventry, England CV79JY
Phone: +44 (0) 2476 614700
Fax: +44 (0) 2476 614710

ASIA

Yabara 1916-15,
Misato-machi, Gunma-gun
Gunma-ken 370-3107, Japan
Phone: 81.27.371.6998
Fax: 81.27.371.6308

Other Locations – Phone: 001.714.632.7100; Fax: 001.714.632.1044

©Premier Mounts 2004